



### TECHNICAL DATA

**Liquid temperature range:**  
from 0 °C to +50 °C.

**Pumped liquid:**  
waste water according to EN 12050-3.

**Third party approval:** VDE-GS, LGA, VDE-EMC.

**Capacity:** approved for 6 and 9 litre flushing units according to EN 12050-3.

**Protection class:** IP44.

### APPLICATIONS

Its use is necessary when toilet, shower, sink, or bidet waste water cannot be expelled due to gravity. These lifting stations can be used anywhere for the addition of a toilet, for new installations, refurbishments, or structural modifications. With the 110 model, in addition to a toilet, a further user can also be connected, like the sink. With the 130 model, in addition to the toilet, three further users can be connected, like the sink, the shower, and the bidet. A characteristic of the proposed models is their silent operation, further improved in the Comfort versions. The powerful and reliable pump, and the nickel plated stainless steel grinder, make the product durable, with practically no regular maintenance required. Extremely easy to repair in case of blocking, with the possibility of removing the motor assembly by simply removing two screws. The discharge tap ensures clean and problem-free maintenance. The check valves are built in the delivery connections, and in the side connections for 130 models. Available as extra accessories are an acoustic flooding prevention alarm, and an extension pipe, for adapting GENIX to pre-existing installations.

### CONSTRUCTION FEATURES OF THE PUMP

30 % barium loaded polypropylene tank. For the sound proofed version, 70 % barium loaded polypropylene sound proofer. 30 % fibre glass PPO impeller. Stainless steel motor shaft.

Nickel plated stainless steel grinder.

### CONSTRUCTION FEATURES OF THE MOTOR

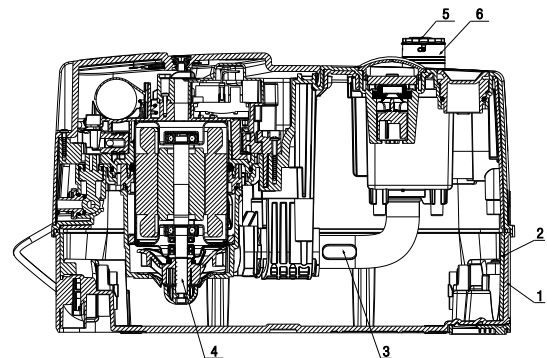
Asynchronous, made of stainless steel. Stainless steel shaft and cover.

Thermal overheating protection.

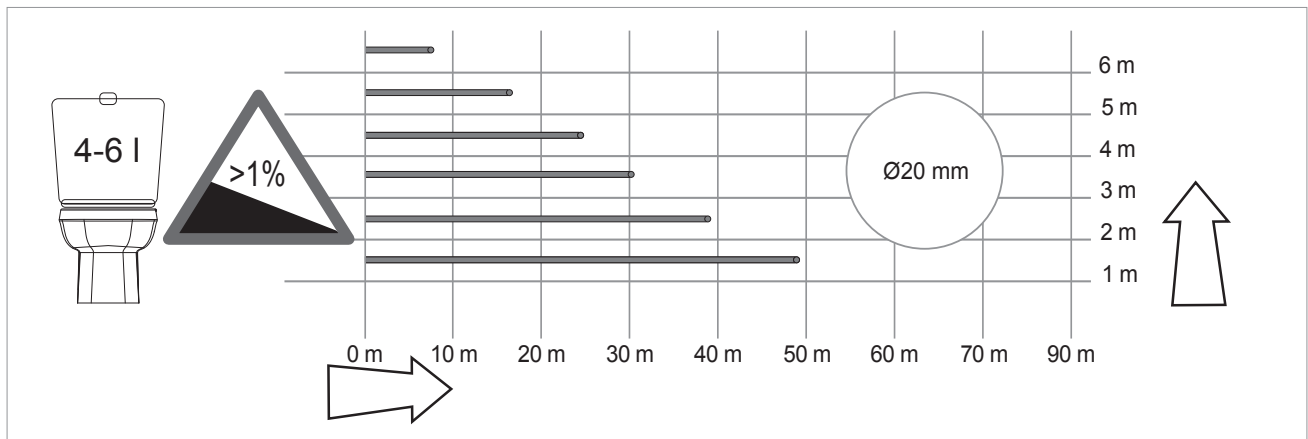
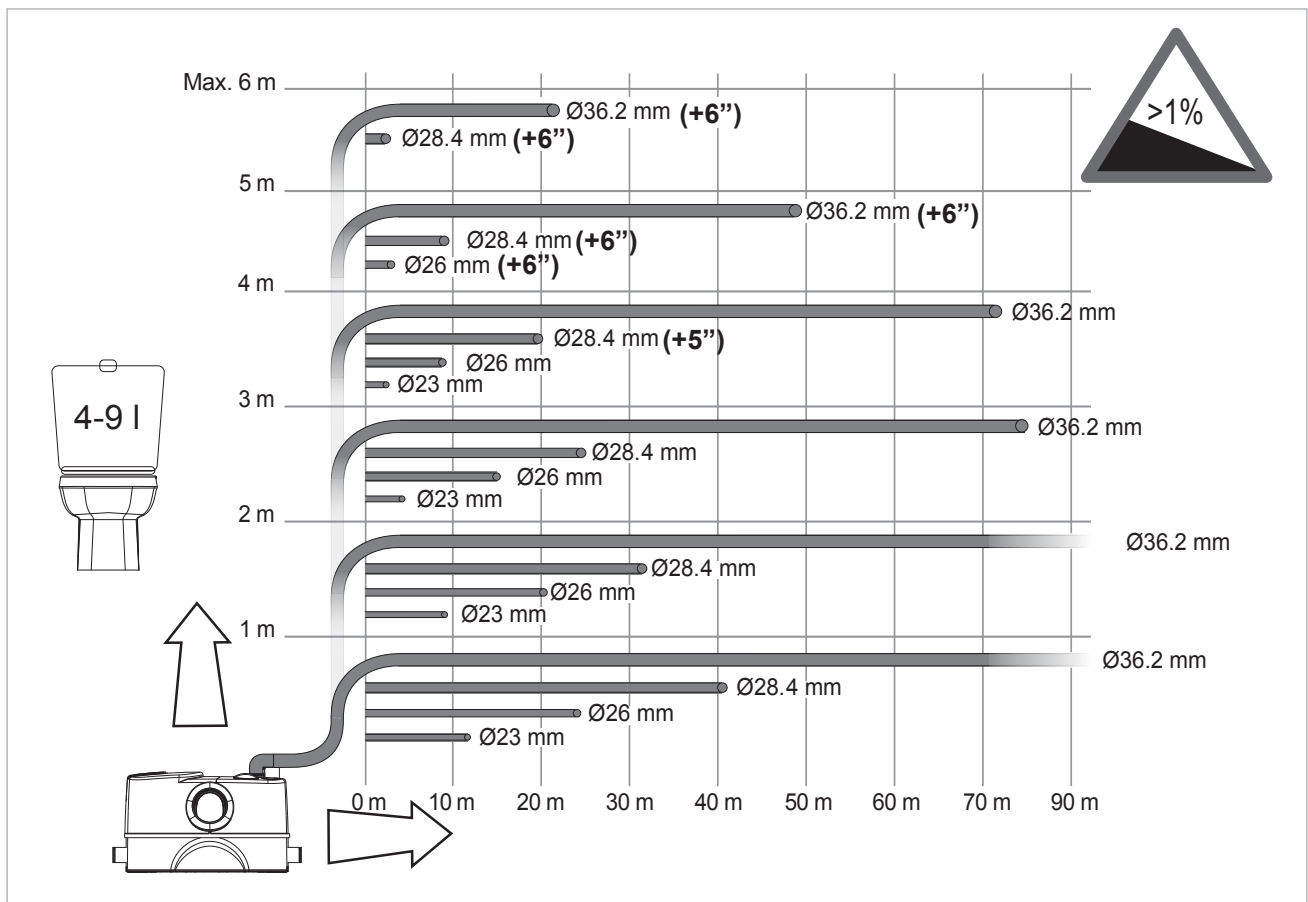
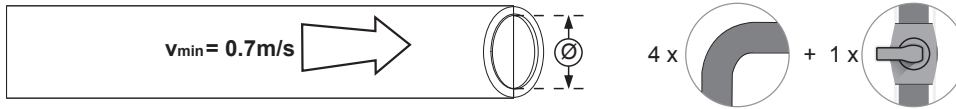
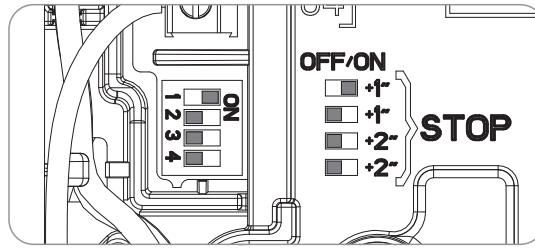
Wear-resistant motor shaft.

### MATERIALS

N.	PARTS	MATERIALS	
1	TANK	PP 15% BARIUM	
2	SOUND PROOFER	PP 70% BARIUM	
3	PIPE	EPDM	
4	GENIX COMFORT FLANGE GROUP V230-50Hz	MOTOR-COVER	AISI 304
		MOTOR-SHAFT	AISI 416
		IMPELLER	30 % FIBRE GLASS PPO
		FIXED GRINDER	AISI 304
		IMPELLER NUT	30 % FIBRE GLASS PPO
		MOVING GRINDER	AISI 420
		MOTOR FLANGE	30 % FIBRE GLASS PP
		PUMP BODY	30 % FIBRE GLASS PP
		CENTERING RING	30 % FIBRE GLASS PP
		VOLUTE	30 % FIBRE GLASS PP
5	VALVE ASSEMBLY	CHECK VALVE BODY	30 % FIBRE GLASS PP
		OVAL CLAPET VALVE	EPDM
		OR -3118 29.82 X 2.62	NBR
6	DELIVERY PIPE	30 % FIBRE GLASS PP	

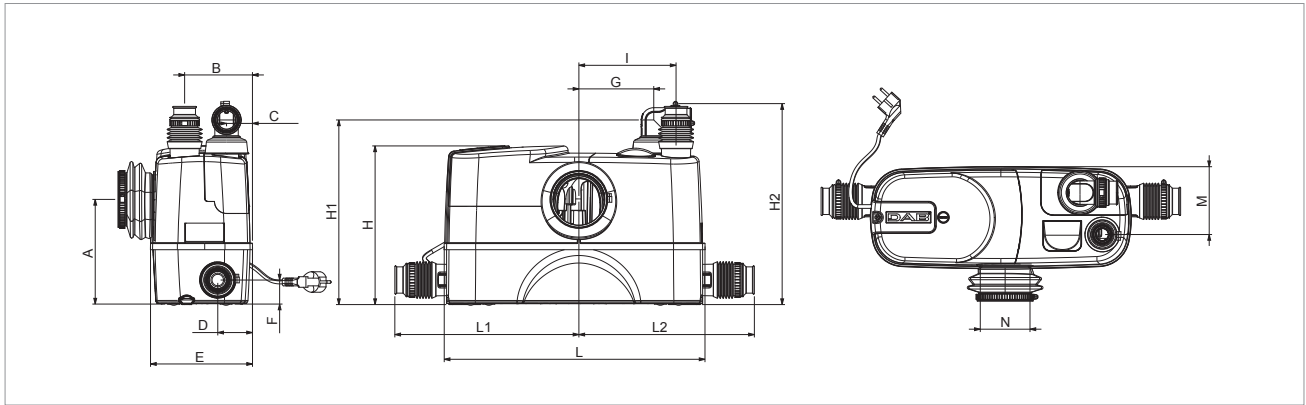


### INSTALLATION INSTRUCTIONS



# GENIX - WASTE WATER DRAINING

Liquid temperature range: from 0 °C to +50 °C



MODEL	ELECTRICAL DATA				
	POWER INPUT 50 Hz	P1 MAX kW	P2 NOMINAL		In A
			kW	HP	
GENIX 110	1 x 230 V ~	0,49	0,32	0,44	2,3
GENIX 130	1 x 230 V ~	0,49	0,32	0,44	2,3
GENIX COMFORT 110	1 x 230 V ~	0,49	0,32	0,44	2,3
GENIX COMFORT 130	1 x 230 V ~	0,49	0,32	0,44	2,3

MODEL	A	B	C	D	E	F	G	H	H1	H2	I	L	L1	L2	M	N	PACKING DIMENSIONS			VOLUME (m³)	WEIGHT kg
																	L/A	L/B	H		
GENIX 110	183	118	45	60	178	42	178	277	323	351	170	456	322	307	118	87	538	227	426	0.0520	10.3
GENIX 130	183	118	45	60	178	42	178	277	323	351	170	456	322	307	118	87	538	227	426	0.0520	10.6
GENIX COMFORT 110	183	118	45	60	178	42	178	277	323	351	170	456	322	307	118	87	538	227	426	0.0520	11.5
GENIX COMFORT 130	183	118	45	60	178	42	178	277	323	351	170	456	322	307	118	87	538	227	426	0.0520	12

