

**Receiver**

**From**

Society  
Reference  
Address  
Phone  
Fax  
E-mail

**Item no.**

60191277

**Model:**

DRENAG FX 15.22 T-NA 400 V

Type of installation

Wet - Pump only

**Pump data**

Free passage : 10 mm  
Max. immersion depth : 20 m  
Min. fluid temperature : 0 °C  
Max. fluid temperature : 50 °C

**Requested data**

Flow :  
Head :  
Fluid : Water  
Fluid Temperature : 20 °C  
Density : 998,3 kg/m³  
Kinematische viscositeit: 1,005 mm²/s  
Dampspanning: 0,00234 MPa

**Hydraulic data (duty point)**

Flow :  
Head :

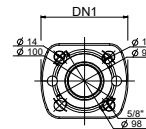
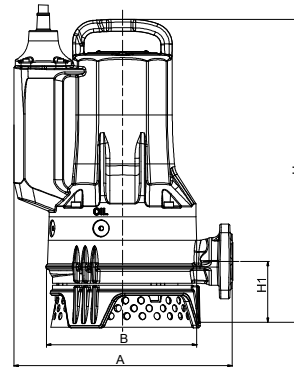
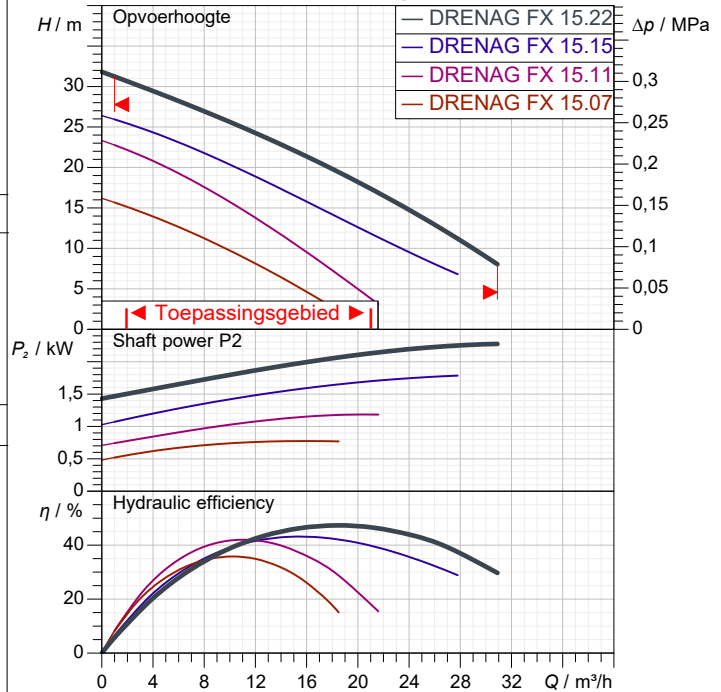
**Materials**

Handle Cast iron (EN GJL 200)  
Pump body / motor Cast iron (EN GJL 200)  
Impeller Cast iron (EN GJL 250)  
Mechanical seal pump side SIC-SiC/SiC-C  
Mechanical seal motor side SiC/Carbon  
OR ring NBR  
Motor shaft Stainless Steel AISI 304

**Motor data**

Merk : DAB  
Nominal power P2: 2,3 kW  
Rated speed: 2.870 1/min  
Rated voltage : 3~ 400 V 50 Hz  
Nominal current : 5,2 A  
Degree of protection : IP 68

**Curve tolerance according to ISO 9906**



**Gewicht:** 39 kg **Accessory weight :**

**Dimension mm**

A	306				
B	215				
DN1	32, 40				
GAS	Rp 1"1/2				
H	439				
H1	95				

**Pump connection**

Suction side --  
Discharge side Rp 1"1/2 - DN 32 PN10/6, DN 40 PN6



# PERFORMANCE CURVES

06/03/2022

Pagina 2 / 3

DAB PUMPS S.p.A.  
Via Marco Polo, 14 - 35035 Mestrino (PD), Italy  
Tel. +39 049 5125000 - Fax +39 049 5125950  
www.dabpumps.com

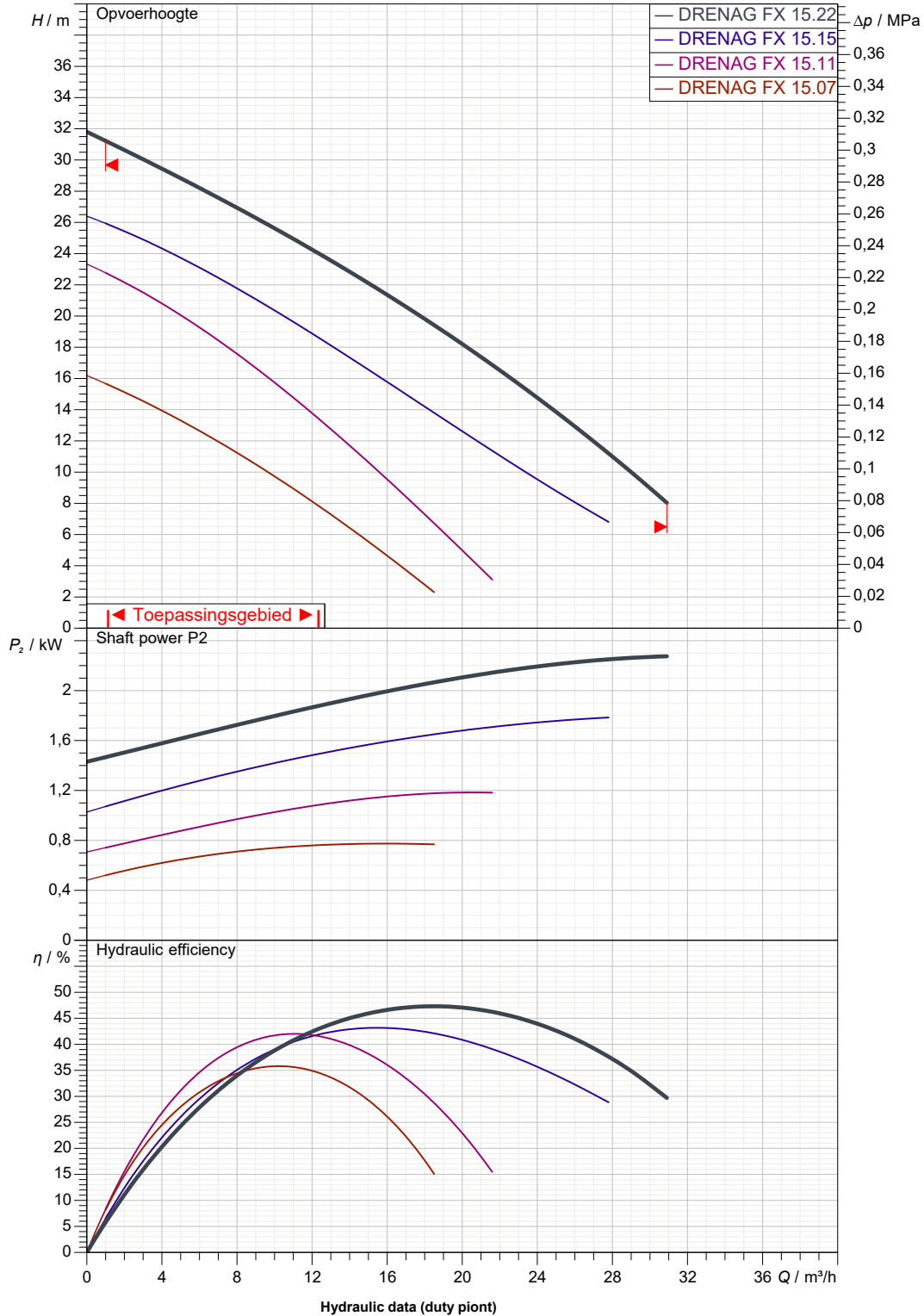
Receiver

From

Society  
Reference  
Address  
Phone  
Fax  
E-mail

## DRENAG FX 15.22 T-NA 400 V

Curve tolerance according to ISO 9906



Suction side

Discharge side  
Rp 1"1/2 - DN 32 PN10/6, DN 40 PN6  
--

Flow :

Head :

Rated speed:  
2.870 1/min

MAIN\_PROJECT\_TITLE

BUSINESS\_PROCESS\_ID

OWNER\_

ISSUE\_DATE  
06/03/2022



# DIMENSIONAL DRAWING

06/03/2022

Pagina 3 / 3

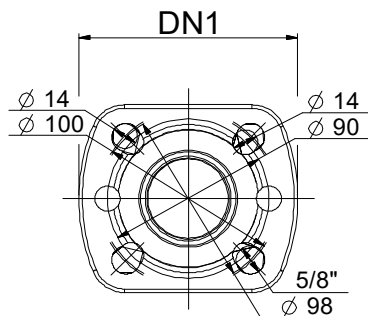
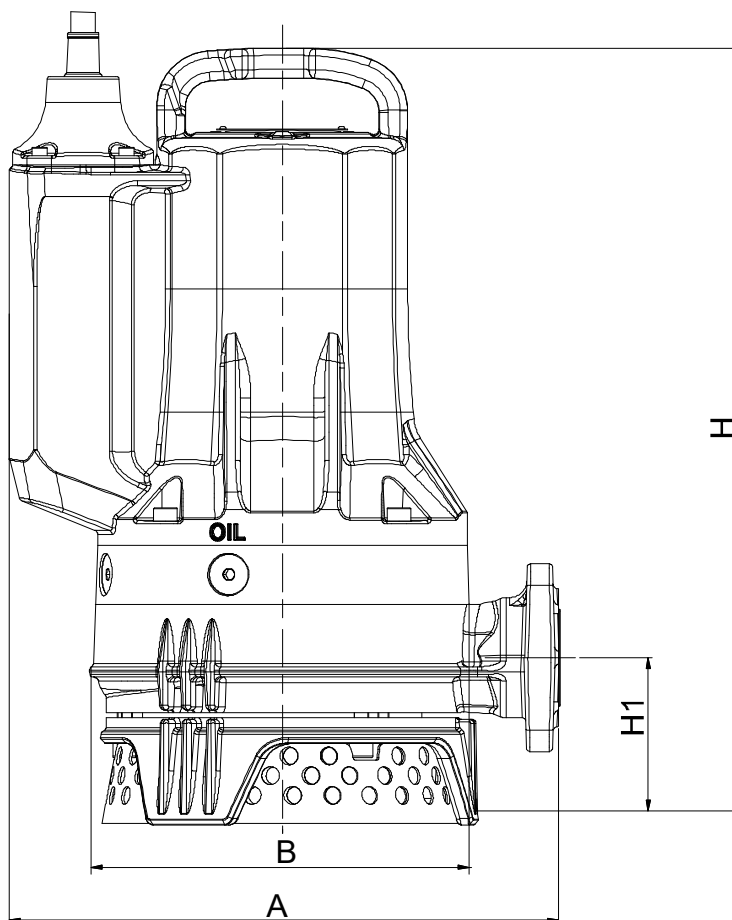
DAB PUMPS S.p.A.  
Via Marco Polo, 14 - 35035 Mestrino (PD), Italy  
Tel. +39 049 5125000 - Fax +39 049 5125950  
www.dabpumps.com

Receiver

From

Society  
Reference  
Address  
Phone  
Fax  
E-mail

## DRENAG FX 15.22 T-NA 400 V



### Dimensions in mm

### Pump connection

1  
2  
3  
4  
5  
6  
7  
8  
9  
10  
11  
12

A	306
B	215
DN1	32, 40
GAS	Rp 1"1/12
H	439
H1	95

Suction
Discharge
Rp 1"1/2 - DN 32 PN10/6, DN 40 PN6
--

MAIN\_PROJECT\_TITLE

BUSINESS\_PROCESS\_ID

OWNER

ISSUE\_DATE

06/03/2022