

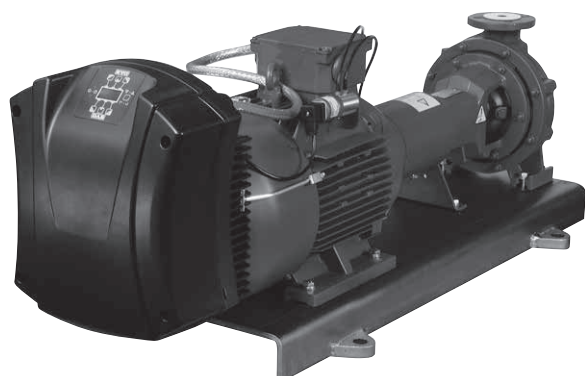
## STANDARDISED CENTRIFUGAL ELECTRIC PUMPS WITH INVERTER



**FOR CIRCULATION  
SYSTEMS**



**FOR PRESSURIZATION  
SYSTEMS**

**TECHNICAL DATA**

**Rotation speed:** 1450 - 2900 1/min.

**Operating range:**

from 1 to 470 m<sup>3</sup>/h with head up to 63 metres.

**Liquid temperature range:**

from -10 °C to +140 °C (MCE/C)

from -10 °C to +80 °C (MCE/P)

**Pumped liquid:** clean, free of solids and abrasives, non-viscous, non-aggressive, non-crystallised and chemically neutral, with properties similar to water.

**Maximum ambient temperature:** +40 °C.

**Maximum operating pressure:**

16 bar - 1600 kPa (for DN 200 max 10 bar).

**Protection class:** IP 55.

**Insulation class:** F.

**Flanging:** PN 16 DIN 2533.

PN 10 DIN 2532 for DN 200.

**Installation:** normally in the horizontal position.

**APPLICATIONS**

Standardised centrifugal electronic pumps on base with elastic coupling, designed for a wide range of applications, such as:

**MCE/C:** Circulation of the hot water of the heating system, of the cold water of the air conditioning and refrigeration systems.

**MCE/P:** Pressure increase, supply of drinking water and sprinkler and watering systems.

**CONSTRUCTION FEATURES OF THE PUMP**

Cast iron single stage spiral body complying with DIN-EN 733 (formerly DIN 24255), seal holder cover and cast iron motor support, flanges complying with DIN 2533 (DIN 2532 for DN 200). Cast iron impeller, closed and dynamically balanced, with compensation of the axial thrust through balancing holes, operation on interchangeable wear rings (on request). Stainless steel pump shaft supported by two permanently lubricated oversized ball bearings, housed inside an appropriate chamber in the support.

Standard seal device: standardised mechanical seal according to DIN 24960 in carbon/silicon carbide with EPDM OR rings. Packing with lubricating hydraulic ring and stuffing box in two easily removable parts available on request.

**CONSTRUCTION FEATURES OF THE MOTOR**

Closed asynchronous type, external ventilation cooling, 2 or 4 poles. Rotor running on ball bearings, largely oversized to ensure low noise and durability. Controlled by MCE inverter.

**Construction:** B3

**Standard single-phase voltage:** 1x220-240 V / 50-60 Hz

**Special version on request:** three-phase 3x400 V / 50 Hz or three-phase 3x460 V / 60 Hz

**Standard three-phase voltage:** 3x400 V / 50 Hz

**Special version on request:** 3x460 V / 60 Hz

### MCE/C INVERTER

#### CONSTRUCTION FEATURES OF THE ELECTRONICS: MCE/C INVERTER

MCE/C inverters have been designed for managing circulation pumps. By allowing a simple adjustment of the differential pressure, they give the possibility of adjusting the performance of the circulation pump to the actual system requirements. They are fitted on the fan cover of the motor. This makes the installation of the pump with MCE/C particularly easy and quick. The protection class of the MCE/C is IP55. The easy of programming is guaranteed by the use of a simple and intuitive interface, similar to Dialogue electronic circulators, and a graphic display. MCE/C inverters have a double micro-processor construction that guarantees maximum efficiency and reliability.

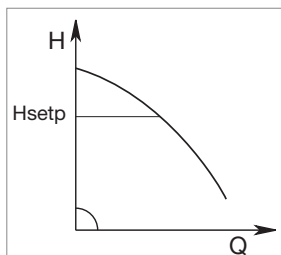
MCE/C inverters protect the motor and the pump, and increase their life, by eliminating hammering effects and making the pump rotate at the minimum number of rotations capable of meeting the requirements of the user. In addition, electric pumps controlled by the MCE/C inverter are environmentally friendly. In fact, by ensuring that the pump only uses the power that is strictly necessary for meeting the needs of the users, electricity consumption is strongly reduced when compared with fixed speed pumps. It is possible to create twin units by using the appropriate cable for the connection of MCE/C inverters.

#### MODES OF OPERATION

All the functions listed below can be consulted by the users (including less experienced ones) by simply scrolling through the MCE/C menu. The calibration and the modification of the parameters are protected, and can only be completed by expert users.

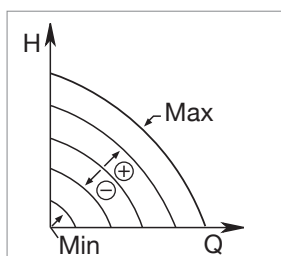
#### 1 - $\Delta P$ -c constant differential pressure adjustment mode

The  $\Delta P$ -c adjustment mode keeps the differential pressure of the system constantly at the H (setp) value set, even in case of variation of the flow rate. This is the standard adjustment used. It can be set directly from the MCE/C control panel. The inverter keeps the differential pressure (H setp) constant even in case of flow variation.



This adjustment is particularly indicated for the following systems:

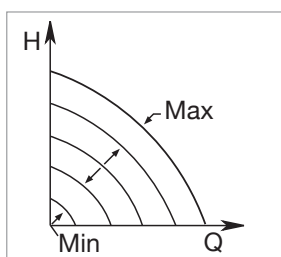
- a. two-pipe heating systems with thermostat valves**
- b. underfloor heating systems with thermostat valves**
- c. single-pipe heating systems with thermostat valves and calibration valves**
- d. systems with primary circuit pumps**



#### 2 - Constant curve adjustment modes

##### 2.1 - Constant curve adjustment

The rotation speed is kept at a constant number of revolutions. This rotation speed can be set between a minimum value and the nominal frequency of the circulation pump (e.g. between 15 Hz and 50 Hz). This mode can be set using the control panel on the MCE cover.

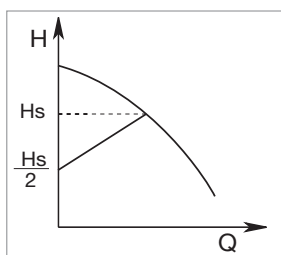


##### 2.2 - Adjustment of the constant curve with external analogue signal

The rotation speed is kept at a constant number of revolution in proportion with the voltage of the external analogue signal.

The rotation speed changes in a linear way, between the nominal frequency of the pump when  $V_{in} = 10 V$ , and the minimum frequency when  $V_{in} = 0 V$ .

This mode can be set using the control panel on the MCE cover.



#### 3 - $\Delta P$ -v \* proportional differential pressure adjustment mode

With  $\Delta P$ -v adjustment mode, with the variation of the flow rate, the value of the delivery of the head also varies in a linear manner, from Hsetp to Hsetp/2.

\* in order to know the availability of the function on specific models contact our customer service.

For more information refer to the technical appendix.

## MCE/P INVERTER



### CONSTRUCTION FEATURES OF THE ELECTRONICS: MCE/P INVERTER

The inverter continuously adjusts the rotation speed of the electric pump, keeping the pressure constant, even when the flow rate varies.

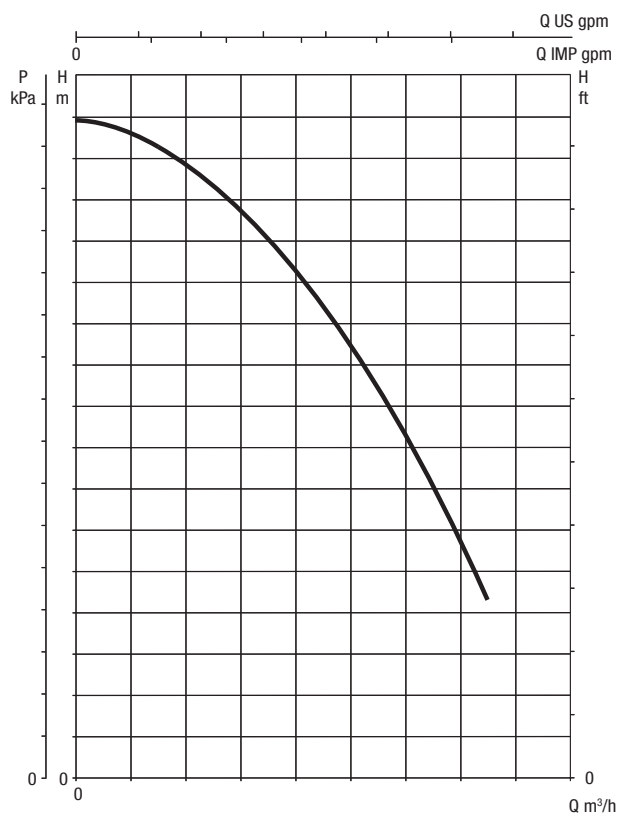
The other electric pumps, also with variable speed, are activated in cascade after the first one has reached maximum speed. Through modulation, they compensate the pressure fluctuations of the system.

For every operating cycle, it is possible to switch the restart to a different pump, therefore ensuring even use of all electric pumps.

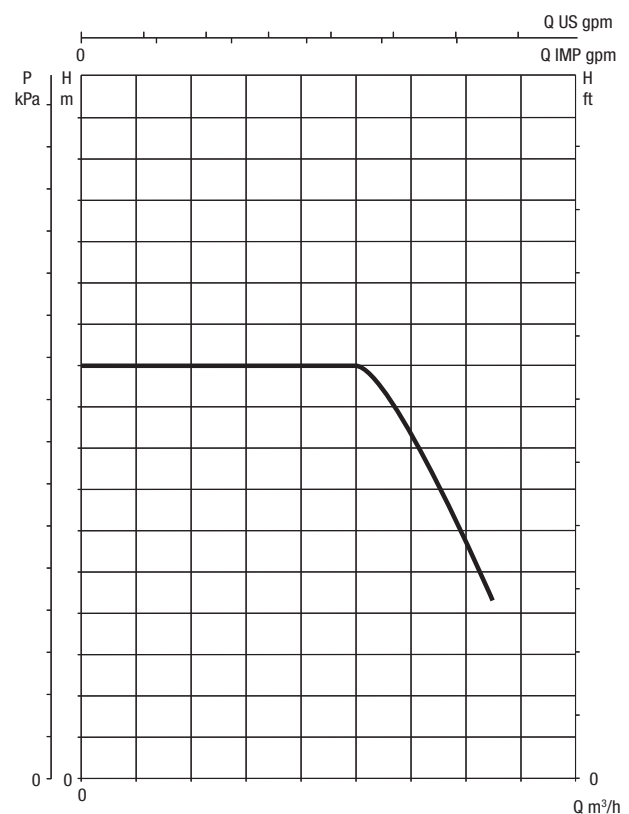
It is possible to set operation times for each individual pump, switching to another pump after such set times.

The "SP" pressure can be adjusted by the user using the "+" and "-" keys found on the MCE/P (as a rule, all the pumps are set to the same pressure value). With the new MCE/P, it is sufficient to set the data on one of the devices, and it will be automatically propagated to the other pumps of the system.

## MODES OF OPERATION



PERFORMANCE CURVES WITHOUT INVERTER



PERFORMANCE CURVES WITH INVERTER

The inverter is capable of maintaining a constant pressure even when the flow rate varies.

The operating pressure can be adjusted by the user.

A good pressure set-point is between 1/3 and 2/3 of the maximum head of the electric pump. In this way, high efficiency of the pump is maintained, together with maximum saving.

In addition, the MCE/P does not block the pump if the pressure is not reached, but the flow is present. This prevents service interruptions in case of high flows.

**For more information refer to the technical appendix.**

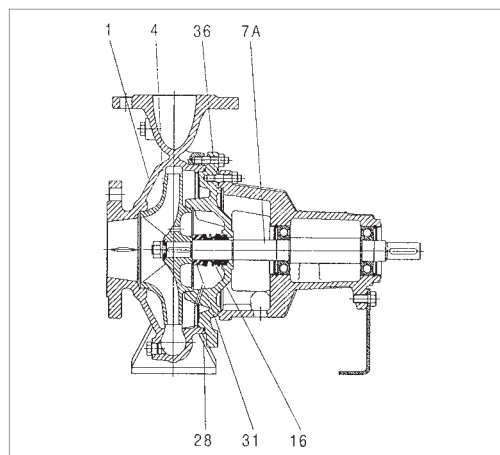
### MATERIALS

N.	PARTS*	MATERIALS
1	PUMP BODY	CAST IRON 250 UNI ISO 185
4	IMPELLER	CAST IRON 200 UNI ISO 185
7A	PUMP SHAFT	AISI 420 STAINLESS STEEL UNI 6900/71
28	OR RING	VITON
36	SEAL HOLDING DISC	CAST IRON 250 UNI ISO 185
16	MECHANICAL SEAL	CARBON/SILICON CARBIDE
31	SEAL SPACER	AISI 304 STAINLESS STEEL UNI 6900/71

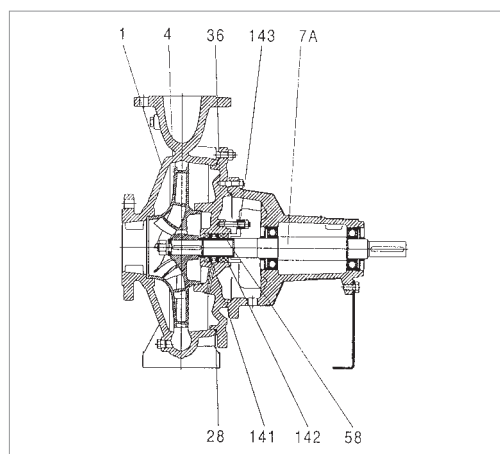
N.	PARTS*	MATERIALS
58	SEAL BUSHING	AISI 420 STAINLESS STEEL UNI 6900/71
141	HYDRAULIC RING	AISI 304 STAINLESS STEEL UNI 6900/71
142	STUFFING BOX	RAMIE IMPREGNATED PTFE

\* In contact with the liquid

STANDARD VERSION WITH MECHANICAL SEAL



VERSION ON REQUEST WITH PACKING



**KDNE - 4 POLES**

## STANDARDISED CENTRIFUGAL ELECTRIC PUMPS WITH INVERTER

**SELECTION TABLE - KDNE 32**

MODEL	Q=m <sup>3</sup> /h	0	3	6	12	18	24
	Q=l/min	0	50	100	200	300	400
KDNE 32-125.1/140	H (m)	6.6	6.6	6.4	5.1		
KDNE 32-125/142		6.9		6.75	6.15	4.5	
KDNE 32-160.1/177		9	9.8	9.5	6.6		
KDNE 32-160/177		10.5		10.4	9.6	7.8	
KDNE 32-200.1/207		13.8	13.8	13	8.9		
KDNE 32-200/200		12.6		12.3	11.1	8.7	
KDNE 32-200/219		15.7		15.4	14.8	13	9.8

**SELECTION TABLE - KDNE 40**

MODEL	Q=m <sup>3</sup> /h	0	6	12	18	24	30	36
	Q=l/min	0	100	200	300	400	500	600
KDNE 40-125/142	H (m)	6.7	6.6	6.5	6	5.3	4.1	
KDNE 40-160/161		8.6	8.5	8.4	8	7.1	5.6	
KDNE 40-160/177		10.7	10.7	10.6	10.2	9.5	8.3	
KDNE 40-200/180		9.7	9.7	9.4	8.8	7.2		
KDNE 40-200/200		12.2	12.1	12	11.7	10.4	8.6	
KDNE 40-200/219		15	15	15	14.7	13.8	12.4	10.4
KDNE 40-250/230		17.4		17.2	16.5	15.3	13.7	
KDNE 40-250/240		19.1		19	18.2	17	15.5	
KDNE 40-250/250		20.7		20.6	20	18.9	17.5	
KDNE 40-250/260		22.7		22.6	22.1	21	19.5	

**SELECTION TABLE - KDNE 50**

MODEL	Q=m <sup>3</sup> /h	0	12	18	24	30	36	42	48	54
	Q=l/min	0	200	300	400	500	600	700	800	900
KDNE 50-125/139	H (m)	6.3	6.2	6.1	5.9	5.6	5.2	4.8	4.2	
KDNE 50-125/144		6.7	6.7	6.6	6.4	6.2	5.8	5.3	4.8	4.1
KDNE 50-160/137		6	6	5.9	5.6	5.2	4.8			
KDNE 50-160/153		7.6	7.6	7.5	7.4	7.2	6.7			
KDNE 50-160/169		9.4	9.3	9.2	9.2	9.1	8.8			
KDNE 50-160/177		10.4	10.3	10.3	10.2	10.1	9.95			
KDNE 50-200/170		9.5	9.3	9.2	8.8	8	6.85			
KDNE 50-200/190		11.8	11.7	11.6	11.4	10.8	10.1	8.9		
KDNE 50-200/210		14.6	14.6	14.5	14.4	13.9	13.2	12.2	11	
KDNE 50-200/219		16	16	16	15.9	15.4	14.2	13.8	12.7	11.4
KDNE 50-250/220		15.9	15.7	15.6	15.4	14.9	13.8	12.4	10.5	xxx
KDNE 50-250/263		23	23	22.9	22.8	22.5	21.7	20.6	19.4	17.5

# KDNE - 4 POLES

## STANDARDISED CENTRIFUGAL ELECTRIC PUMPS WITH INVERTER

### SELECTION TABLE - KDNE 65

MODEL	Q=m <sup>3</sup> /h	0	18	24	30	36	42	48	54	60	66	72	78	84	90	102	114
	Q=l/min	0	300	400	500	600	700	800	900	1000	1100	1200	1300	1400	1500	1700	1900
KDNE 65-125/130	H (m)	5.1		4.9	4.75	4.6	4.3	4.1	3.8	3.3	2.8						
KDNE 65-125/144		6.4		6.35	6.25	6.2	5.9	5.7	5.4	5	4.65	4.2	3.7				
KDNE 65-160/137		5.8		5.7	5.4	5.2	4.75	4.3	3.7								
KDNE 65-160/153		7.3		7.2	7.2	6.9	6.7	6.3	5.8	5.25							
KDNE 65-160/169		9.1		9.1	9	8.9	8.7	8.4	8	7.6	7.1	6.4					
KDNE 65-160/177		10		10	9.9	9.8	9.7	9.45	9.1	8.7	8.2	7.5					
KDNE 65-200/180		10.4	10.4	10.4	10.3	10.2	10	9.5	8.8	8.1							
KDNE 65-200/190		12.1	12	12	12	11.9	11.5	11.1	10.5	9.8	8.8						
KDNE 65-250/240		19		19	18.9	18.5	18.1	17.5	16.8	16	14.7	13.6					
KDNE 65-250/263		23.2		23	23	22.9	22.5	22.2	21.6	20.8	19.8	18.6	17.4	16			
KDNE 65-315/260		22.3		22.2	22.1	22	21.5	21	20.5	20	19.2	18.4	17	16	15		
KDNE 65-315/290		28.2		28.2	28.1	28	27.8	27.3	27	26.5	25.5	25	24	23.1	22	19.5	
KDNE 65-315/320		35.7		35.4	35.3	35.2	35.1	35	34.8	34.5	33.8	33.5	32.5	31.5	30.8	28	24.8

### SELECTION TABLE - KDNE 80

MODEL	Q=m <sup>3</sup> /h	0	42	48	54	60	66	72	78	84	90	102	114	120	150	180
	Q=l/min	0	700	800	900	1000	1100	1200	1300	1400	1500	1700	1900	2000	2500	3000
KDNE 80-160/153	H (m)	7.3	7.1	6.9	6.7	6.5	6.3	6	5.75	5.4	5.2	4.55	3.9	3.6		
KDNE 80-160/161		8.2	8	7.9	7.75	7.5	7.3	7.05	6.8	6.5	6.25	5.6	4.9	4.6		
KDNE 80-160/177		10	9.9	9.85	9.8	9.7	9.5	9.3	9.1	8.85	8.7	8.1	7.25	6.9		
KDNE 80-200/170		9.2	9.1	9	8.7	8.5	8.2	7.8	7.5	7.1	6.7	5.6				
KDNE 80-200/200		12.7	12.6	12.6	12.6	12.5	12.4	12.3	12	11.6	11.4	10.5	9.4	8.8		
KDNE 80-200/222		15.9	15.9	15.8	15.7	15.6	15.6	15.5	15.4	15.3	15	14.3	13.4	12.8		
KDNE 80-250/230		17.3	17.3	17.2	17.1	17	16.9	16.8	16.5	16	15.5	14.3	12.4			
KDNE 80-250/260		22.6	22.5	22.5	22.4	22.3	22.2	22.1	22	21.8	21.4	20.6	19.6	19	15.1	
KDNE 80-250/270		24.5	24.4	24.4	24.4	24.3	24.2	24.1	24	23.7	23.3	22.4	21.4	20.7	16.3	
KDNE 80-315/290		27.8		27.8	27.8	27.7	27.7	27.6	27.6	27.5	27.4	26.5	25	24.6	19.1	

### SELECTION TABLE - KDNE 100

MODEL	Q=m <sup>3</sup> /h	0	60	66	72	78	84	90	102	114	120	150	180	210	240
	Q=l/min	0	1000	1100	1200	1300	1400	1500	1700	1900	2000	2500	3000	3500	4000
KDNE 100-200/180	H (m)	10.1	10.1	10.1	10	9.9	9.7	9.5	9.1	8.5	8.3	7	5.4		
KDNE 100-200/200		12.9	12.8	12.8	12.8	12.7	12.6	12.5	12.2	11.8	11.6	10.4	8.8		
KDNE 100-200/219		16	15.7	15.7	15.6	15.6	15.5	15.5	15.3	15.1	15	14	12.5	10.8	
KDNE 100-250/240		18.5	18.3	18.3	18.3	18.2	18.1	18	17.9	17.6	17.4	15.7	13.3		
KDNE 100-250/260		22.3	22.1	22.1	22.1	22	21.9	21.8	21.7	21.5	21.4	19.8	17.7	15.1	
KDNE 100-315/275		25.1	25	25	25	24.9	24.8	24.7	24.6	24.4	24	22	19		

### SELECTION TABLE - KDNE 125

MODEL	Q=m <sup>3</sup> /h	0	102	114	120	150	180	210	240	270	300	330	360	390	420
	Q=l/min	0	1700	1900	2000	2500	3000	3500	4000	4500	5000	5500	6000	6500	7000
KDNE 125-250/230	H (m)	16.6	16.6	16.6	16.5	16.3	15.6	14.8	13.8	12.5	12.3	9.5			

### SELECTION TABLE - KDNE 150

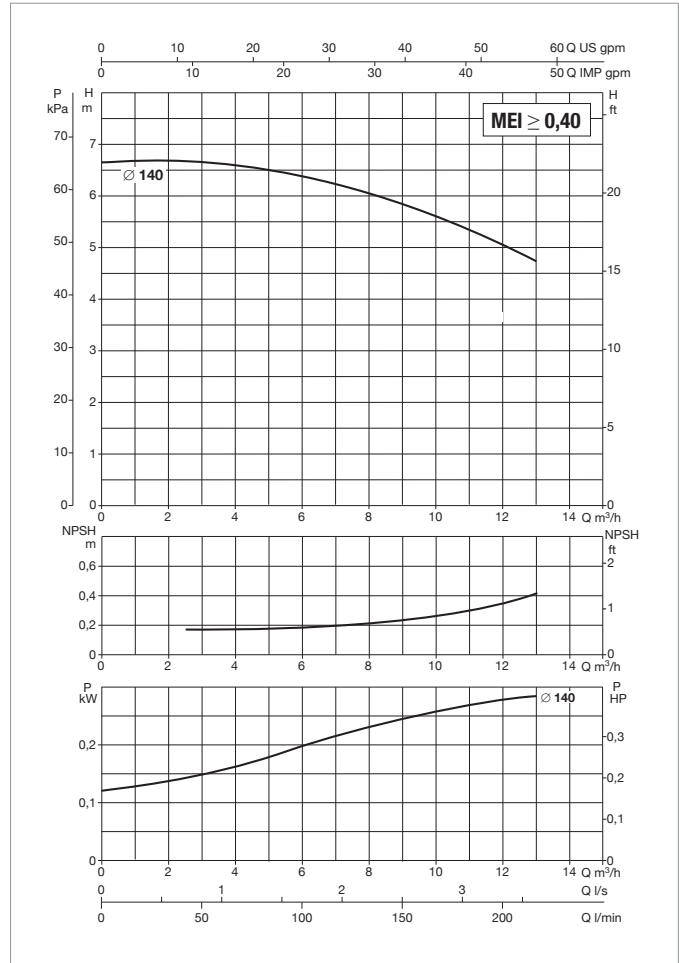
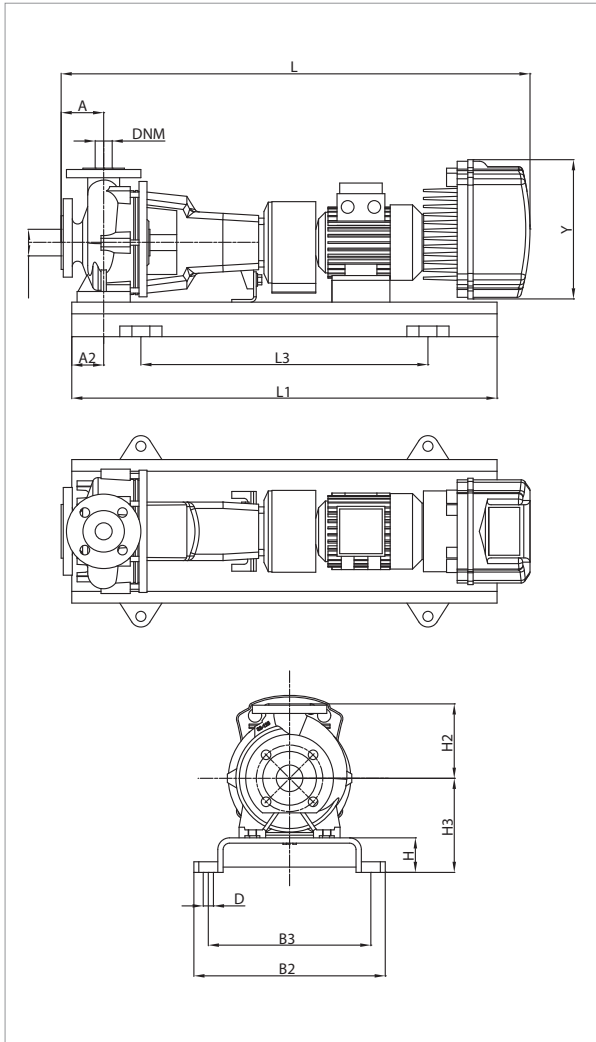
MODEL	Q=m <sup>3</sup> /h	0	102	114	120	150	180	210	240	270	300	330	360	390	420
	Q=l/min	0	1700	1900	2000	2500	3000	3500	4000	4500	5000	5500	6000	6500	7000
KDNE 150-200/218	H (m)	12.9	12.7	12.7	12.6	12.4	12.1	11.7	11.2	10.7	10.2	9.6	8.8	8	7.1
KDNE 150-200/224		13.8	13.6	13.6	13.5	13.3	13	12.6	12.2	11.7	11.2	10.6	9.9	9.2	8.2

# KDNE 32-125.1 - 4 POLES - STANDARDISED CENTRIFUGAL ELECTRIC PUMPS WITH INVERTER FOR CIRCULATION SYSTEMS



Pumped liquid temperature range: from -10 °C to +140 °C (MCE/C) - Maximum ambient temperature: +40 °C

= 1450 1/min



See hydraulic efficiency details on page 241.

The performance curves are based on kinematic viscosity values = 1 mm²/s and density equal to 1000 kg/m³. Curve tolerance according to ISO 9906.

MODEL	MCE MODEL	POWER INPUT 50 Hz	P2 NOMINAL		In A
			kW	HP	
KDNE 32-125.1/140/A/BAQE/1/0,55/4 M MCE11/C	MCE11/C	1 x 230 ~V	0,55	0,75	7,1
KDNE 32-125.1/140/A/BAQE/1/0,55/4 T MCE30/C	MCE30/C	3 x 400 ~V	0,55	0,75	7,4

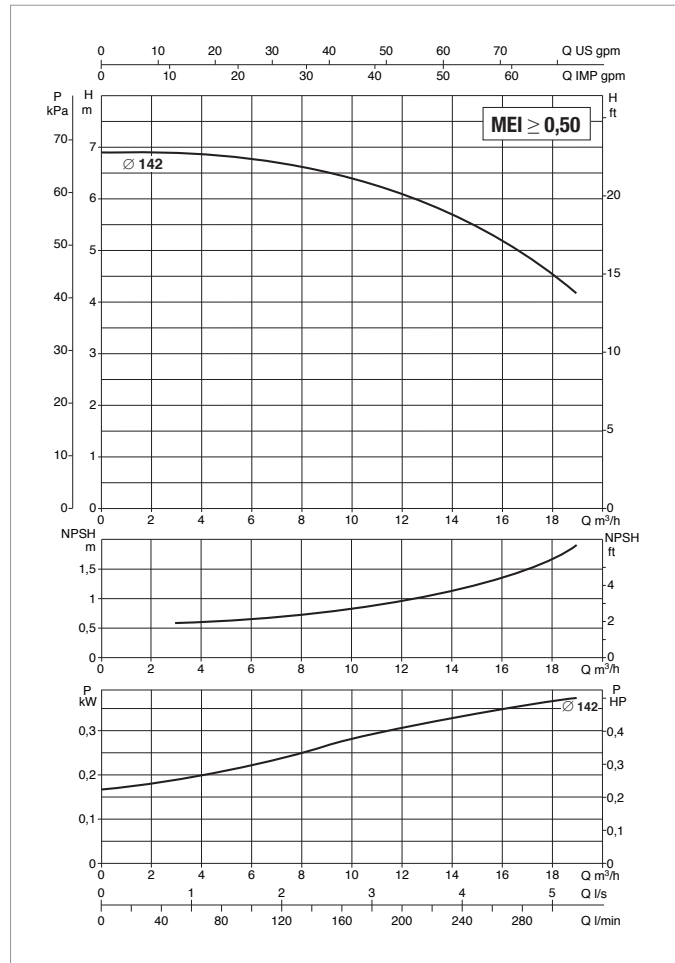
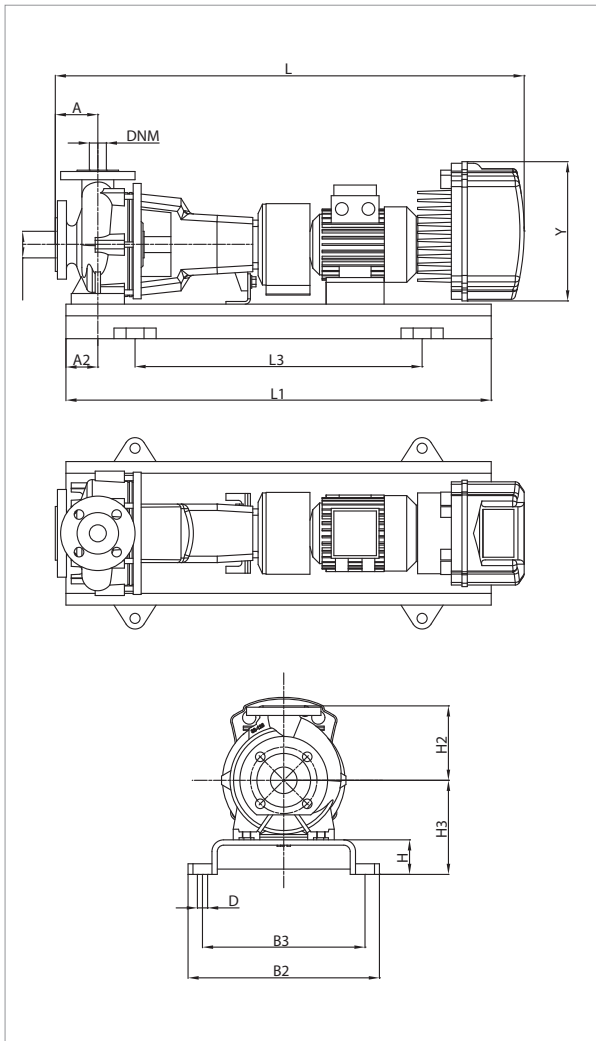
MODEL	A	A2	H2	H	H3	L1	L3	B2	B3	D	Y	FLANGE DIMENSIONS (mm)		STANDARD COUPLING		SPACER COUPLING	
												DNA	DNM	L	WEIGHT kg	L	WEIGHT kg
												KDNE 32-125.1/140/A/BAQE/1/0,55/4 M MCE11/C	80	60	140	65	177
KDNE 32-125.1/140/A/BAQE/1/0,55/4 T MCE30/C	80	60	140	65	177	800	540	360	320	19	353	50	32	1004	89,6	1104	94,6

# KDNE 32-125 - 4 POLES - STANDARDISED CENTRIFUGAL ELECTRIC PUMPS WITH INVERTER FOR CIRCULATION SYSTEMS



Pumped liquid temperature range: from -10 °C to +140 °C (MCE/C) - Maximum ambient temperature: +40 °C

= 1450 1/min



See hydraulic efficiency details on page 241.

The performance curves are based on kinematic viscosity values = 1 mm²/s and density equal to 1000 kg/m³. Curve tolerance according to ISO 9906.

MODEL	MCE MODEL	POWER INPUT 50 Hz	P2 NOMINAL		In A
			kW	HP	
KDNE 32-125/142/A/BAQE/1/0,75/4 M MCE11/C	MCE11/C	1 x 230 ~V	0,75	1	8,2
KDNE 32-125/142/A/BAQE/1/0,75/4 T MCE30/C	MCE30/C	3 x 400 ~V	0,75	1	2,6

MODEL	A	A2	H2	H	H3	L1	L3	B2	B3	D	Y	FLANGE DIMENSIONS (mm)		STANDARD COUPLING		SPACER COUPLING	
												DNA	DNM	L	WEIGHT kg	L	WEIGHT kg
												KDNE 32-125/142/A/BAQE/1/0,75/4 M MCE11/C	80	60	140	65	177
KDNE 32-125/142/A/BAQE/1/0,75/4 T MCE30/C	80	60	140	65	177	800	540	360	320	19	353	50	32	1004	90,6	1104	95,6

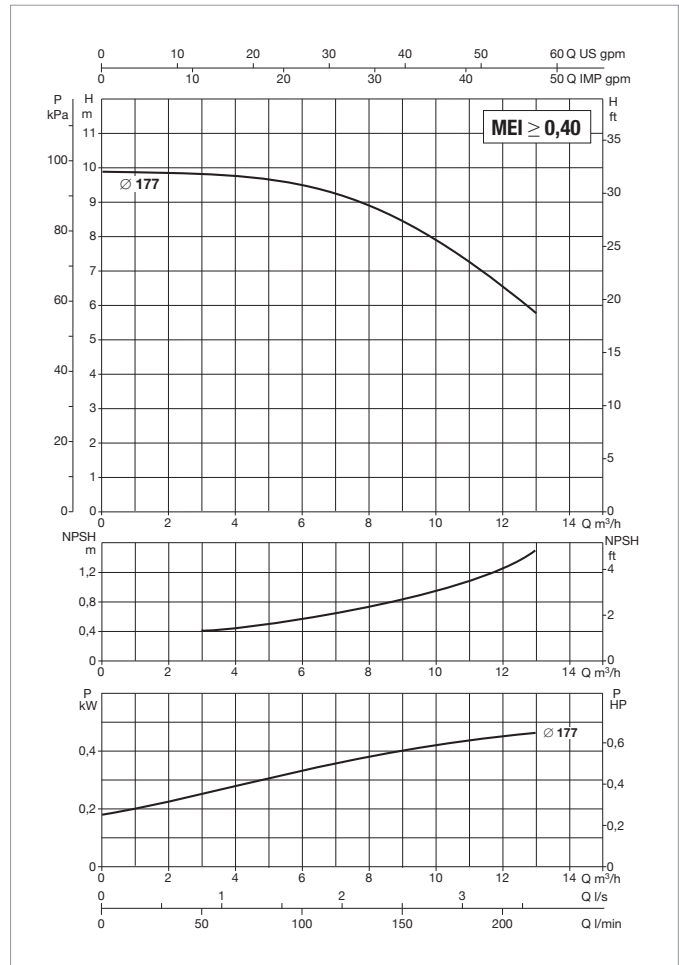
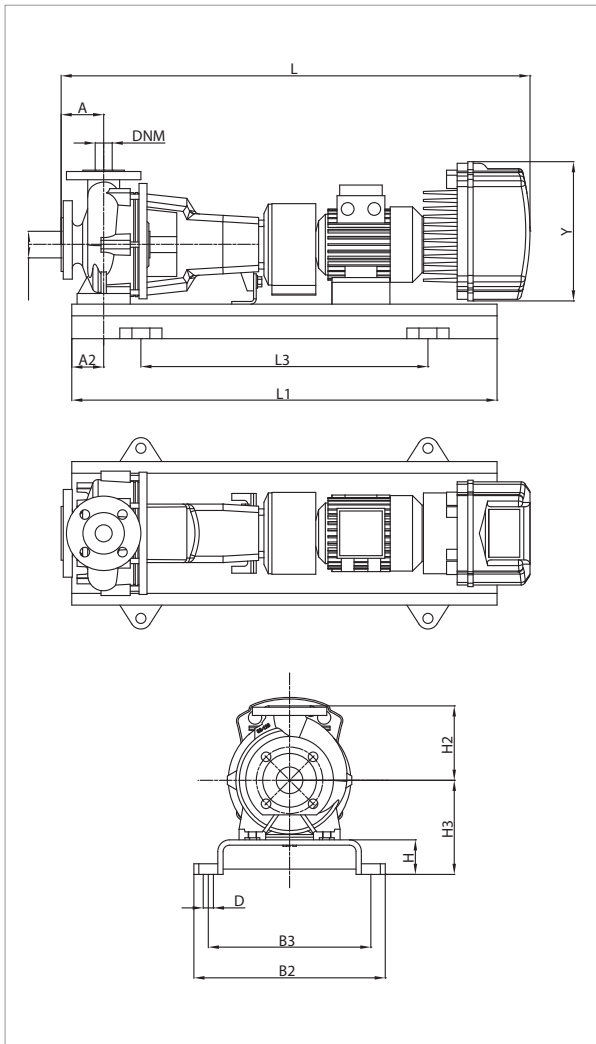


# KDNE 32-160.1 - 4 POLES - STANDARDISED CENTRIFUGAL ELECTRIC PUMPS WITH INVERTER FOR CIRCULATION SYSTEMS



Pumped liquid temperature range: from -10 °C to +140 °C (MCE/C) - Maximum ambient temperature: +40 °C

= 1450 1/min



See hydraulic efficiency details on page 241.

The performance curves are based on kinematic viscosity values = 1 mm²/s and density equal to 1000 kg/m³. Curve tolerance according to ISO 9906.

MODEL	MCE MODEL	POWER INPUT 50 Hz	P2 NOMINAL		In A
			kW	HP	
KDNE 32-160.1/177/A/BAQE/1/0,75/4 M MCE11/C	MCE11/C	1 x 230 ~V	0,75	1	8,2
KDNE 32-160.1/177/A/BAQE/1/0,75/4 T MCE30/C	MCE30/C	3 x 400 ~V	0,75	1	2,6

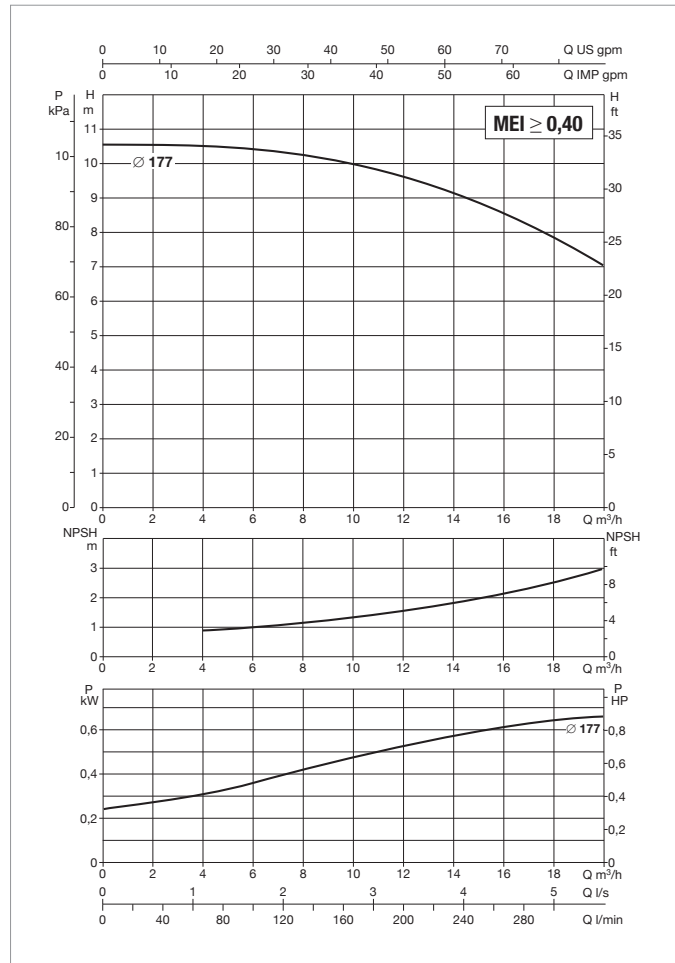
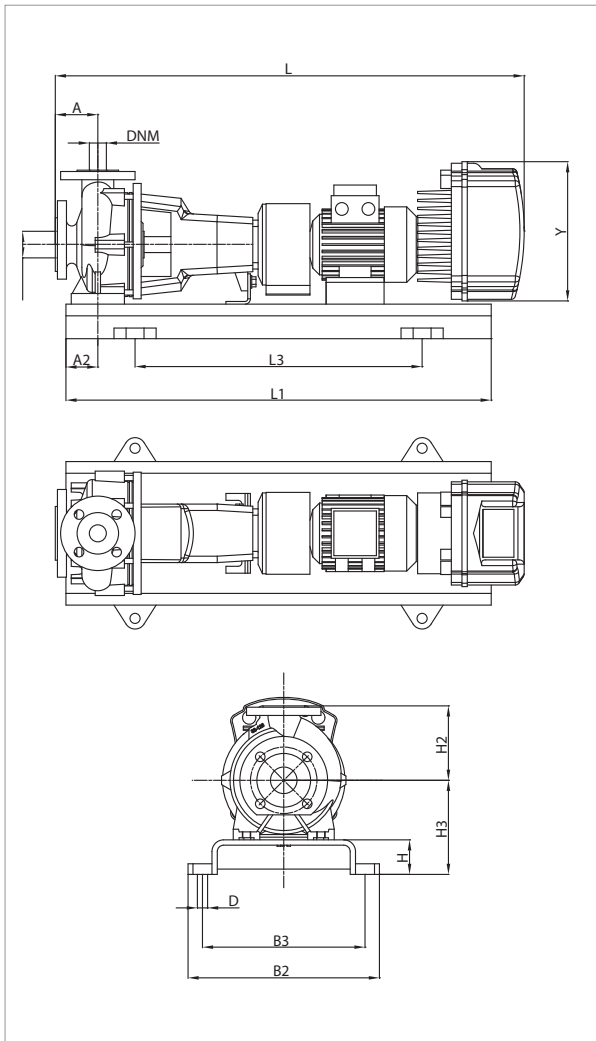
MODEL	A	A2	H2	H	H3	L1	L3	B2	B3	D	Y	FLANGE DIMENSIONS (mm)		STANDARD COUPLING		SPACER COUPLING	
												DNA	DNM	L	WEIGHT kg	L	WEIGHT kg
												KDNE 32-160.1/177/A/BAQE/1/0,75/4 M MCE11/C	80	60	160	65	197
KDNE 32-160.1/177/A/BAQE/1/0,75/4 T MCE30/C	80	60	160	65	197	800	540	360	320	19	353	50	32	1004	92,6	1104	97,6

# KDNE 32-160 - 4 POLES - STANDARDISED CENTRIFUGAL ELECTRIC PUMPS WITH INVERTER FOR CIRCULATION SYSTEMS



Pumped liquid temperature range: from -10 °C to +140 °C (MCE/C) - Maximum ambient temperature: +40 °C

= 1450 1/min



See hydraulic efficiency details on page 241.

The performance curves are based on kinematic viscosity values = 1 mm²/s and density equal to 1000 kg/m³. Curve tolerance according to ISO 9906.

MODEL	MCE MODEL	POWER INPUT 50 Hz	P2 NOMINAL		In A
			kW	HP	
KDNE 32-160/177/A/BAQE/1/1,1/4 M MCE11/C	MCE11/C	1 x 230 ~V	1,1	1,5	10,9
KDNE 32-160/177/A/BAQE/1/1,1/4 T MCE30/C	MCE30/C	3 x 400 ~V	1,1	1,5	3,4

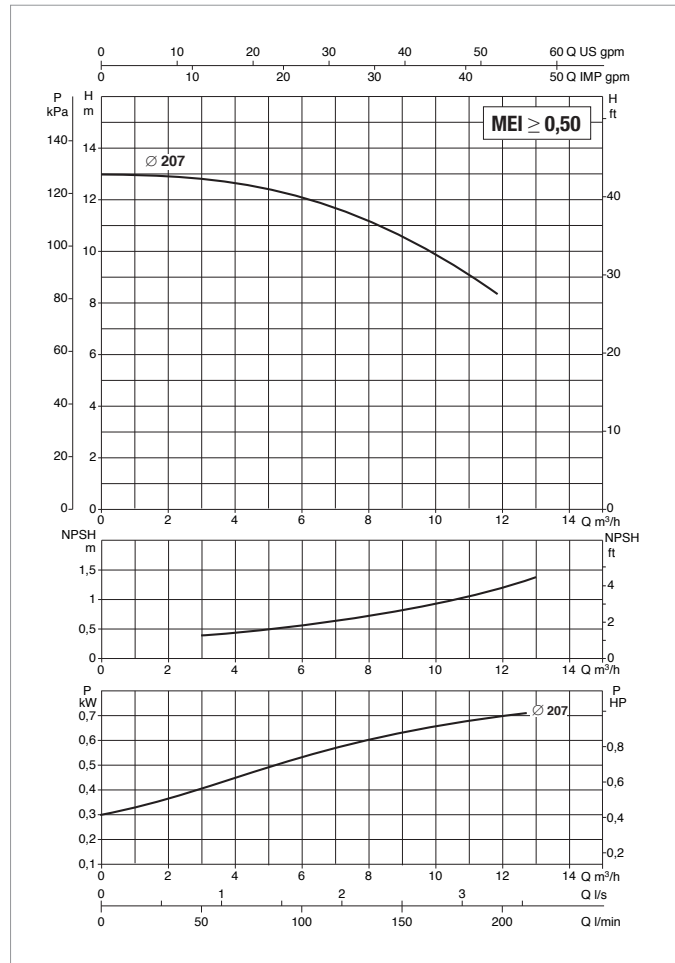
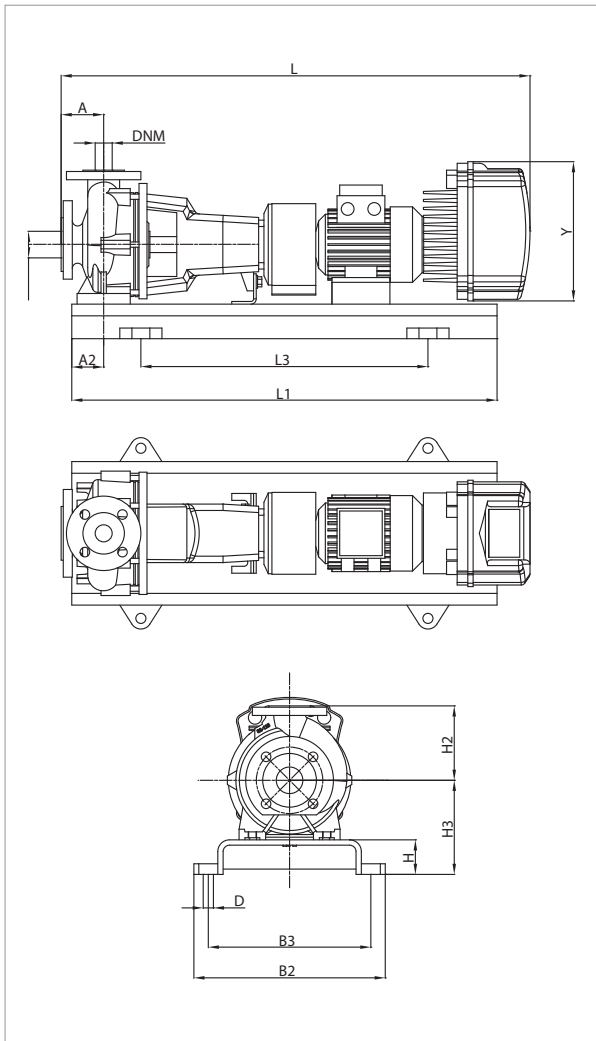
MODEL	A	A2	H2	H	H3	L1	L3	B2	B3	D	Y	FLANGE DIMENSIONS (mm)		STANDARD COUPLING		SPACER COUPLING	
												DNA	DNM	L	WEIGHT kg	L	WEIGHT kg
												KDNE 32-160/177/A/BAQE/1/1,1/4 M MCE11/C	80	60	160	65	197
KDNE 32-160/177/A/BAQE/1/1,1/4 T MCE30/C	80	60	160	65	197	800	540	360	320	19	353	50	32	1056	94,2	1156	99,6

# KDNE 32-200.1 - 4 POLES - STANDARDISED CENTRIFUGAL ELECTRIC PUMPS WITH INVERTER FOR CIRCULATION SYSTEMS



Pumped liquid temperature range: from -10 °C to +140 °C (MCE/C) - Maximum ambient temperature: +40 °C

= 1450 1/min



See hydraulic efficiency details on page 241.

The performance curves are based on kinematic viscosity values = 1 mm<sup>2</sup>/s and density equal to 1000 kg/m<sup>3</sup>. Curve tolerance according to ISO 9906.

MODEL	MCE MODEL	POWER INPUT 50 Hz	P2 NOMINAL		In A
			kW	HP	
KDNE 32-200.1/207/A/BAQE/1/1,1/4 M MCE11/C	MCE11/C	1 x 230 ~V	1,1	1,5	10,9
KDNE 32-200.1/207/A/BAQE/1/1,1/4 T MCE30/C	MCE30/C	3 x 400 ~V	1,1	1,5	3,4

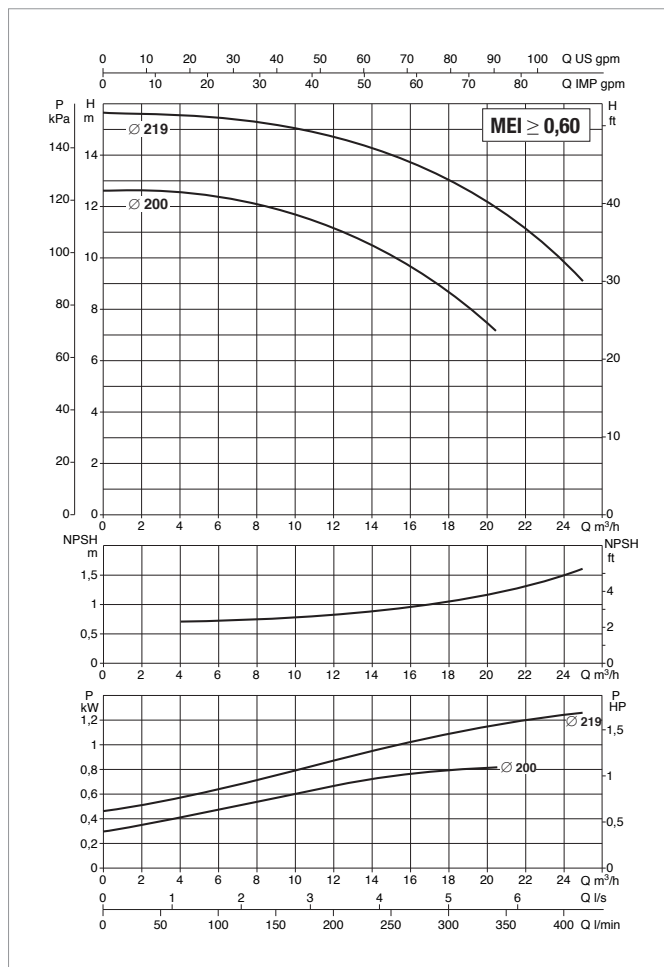
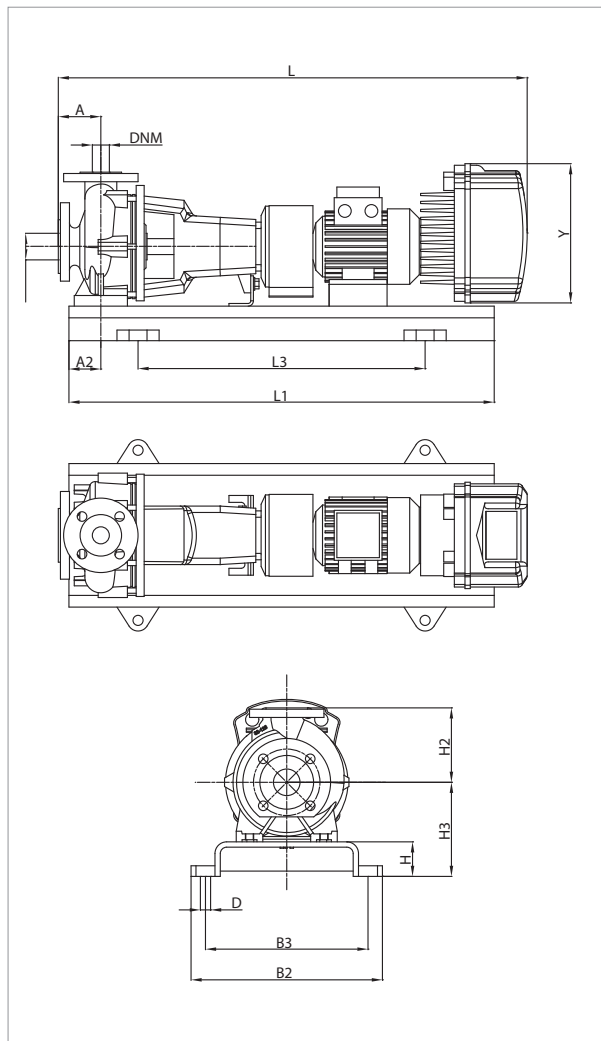
MODEL	A	A2	H2	H	H3	L1	L3	B2	B3	D	Y	FLANGE DIMENSIONS (mm)		STANDARD COUPLING		SPACER COUPLING	
												DNA	DNM	L	WEIGHT kg	L	WEIGHT kg
												KDNE 32-200.1/207/A/BAQE/1/1,1/4 M MCE11/C	80	60	180	65	225
KDNE 32-200.1/207/A/BAQE/1/1,1/4 T MCE30/C	80	60	180	65	225	800	540	360	320	19	353	50	32	1056	112,6	1156	117,6

# KDNE 32-200 - 4 POLES - STANDARDISED CENTRIFUGAL ELECTRIC PUMPS WITH INVERTER FOR CIRCULATION SYSTEMS



Pumped liquid temperature range: from -10 °C to +140 °C (MCE/C) - Maximum ambient temperature: +40 °C

= 1450 1/min



See hydraulic efficiency details on page 241.

The performance curves are based on kinematic viscosity values = 1 mm²/s and density equal to 1000 kg/m³. Curve tolerance according to ISO 9906.

MODEL	MCE MODEL	POWER INPUT 50 Hz	P2 NOMINAL		In A
			kW	HP	
KDNE 32-200/200/A/BAQE/1/1,1/4 M MCE11/C	MCE11/C	1 x 230 ~V	1,1	1,5	10,9
KDNE 32-200/200/A/BAQE/1/1,1/4 T MCE30/C	MCE30/C	3 x 400 ~V	1,1	1,5	3,4
KDNE 32-200/219/A/BAQE/1/2,2/4 M MCE22/C	MCE22/C	1 x 230 ~V	2,2	3	19,7
KDNE 32-200/219/A/BAQE/1/2,2/4 T MCE30/C	MCE30/C	3 x 400 ~V	2,2	3	6,4

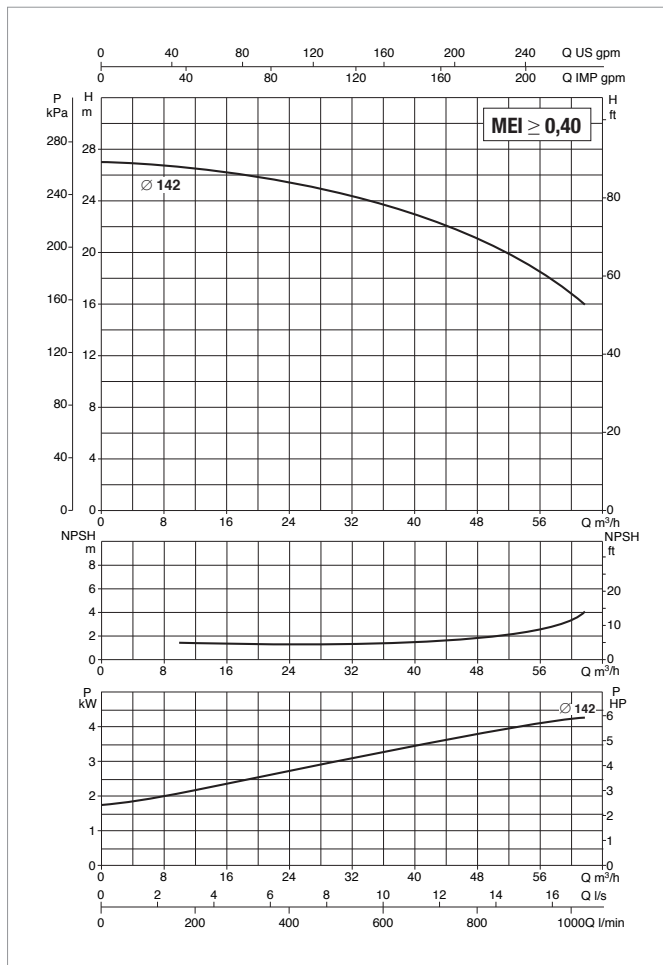
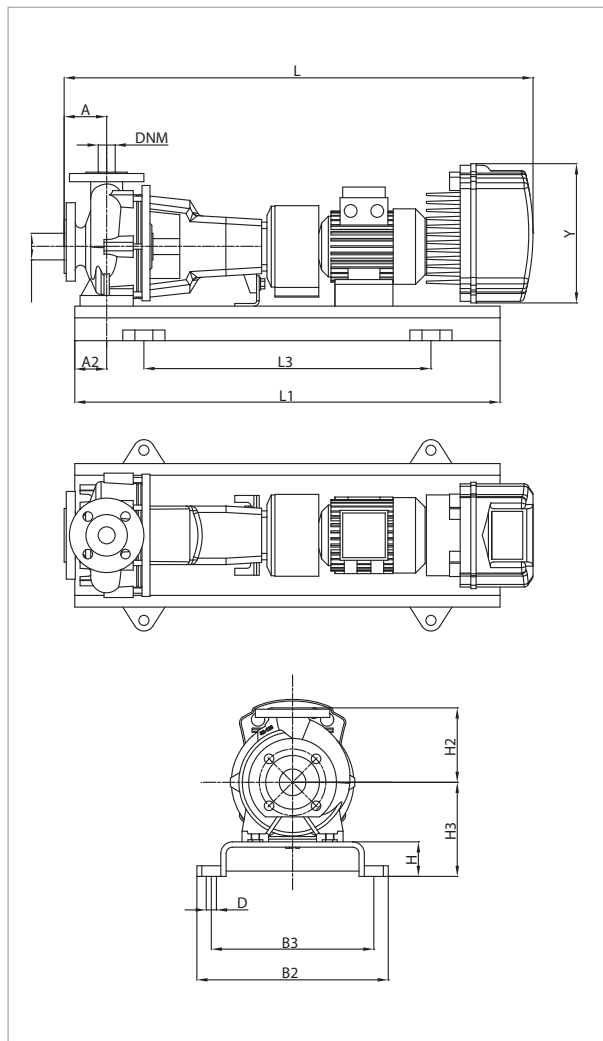
MODEL	A	A2	H2	H	H3	L1	L3	B2	B3	D	Y	FLANGE DIMENSIONS (mm)		STANDARD COUPLING		SPACER COUPLING	
												DNA	DNM	L	WEIGHT kg	L	WEIGHT kg
KDNE 32-200/200/A/BAQE/1/1,1/4 M MCE11/C	80	60	180	65	225	800	540	360	320	19	262	50	32	989	105	1089	110
KDNE 32-200/200/A/BAQE/1/1,1/4 T MCE30/C	80	60	180	65	225	800	540	360	320	19	353	50	32	1056	17,6	1156	112,6
KDNE 32-200/219/A/BAQE/1/2,2/4 M MCE22/C	80	60	180	65	225	900	600	390	350	19	262	50	32	1026	106	1126	111
KDNE 32-200/219/A/BAQE/1/2,2/4 T MCE30/C	80	60	180	65	225	900	600	390	350	19	353	50	32	1093	108,6	1193	113,6

# KDNE 40-125 - 4 POLES - STANDARDISED CENTRIFUGAL ELECTRIC PUMPS WITH INVERTER FOR CIRCULATION SYSTEMS



Pumped liquid temperature range: from -10 °C to +140 °C (MCE/C) - Maximum ambient temperature: +40 °C

= 1450 1/min



See hydraulic efficiency details on page 241.

The performance curves are based on kinematic viscosity values = 1 mm²/s and density equal to 1000 kg/m³. Curve tolerance according to ISO 9906.

MODEL	MCE MODEL	POWER INPUT 50 Hz	P2 NOMINAL		In A
			kW	HP	
KDNE 40-125/142/A/BAQE/1/1,1/4 M MCE11/C	MCE11/C	1 x 230 ~V	1,1	1,5	10,9
KDNE 40-125/142/A/BAQE/1/1,1/4 T MCE30/C	MCE30/C	3 x 400 ~V	1,1	1,5	3,4

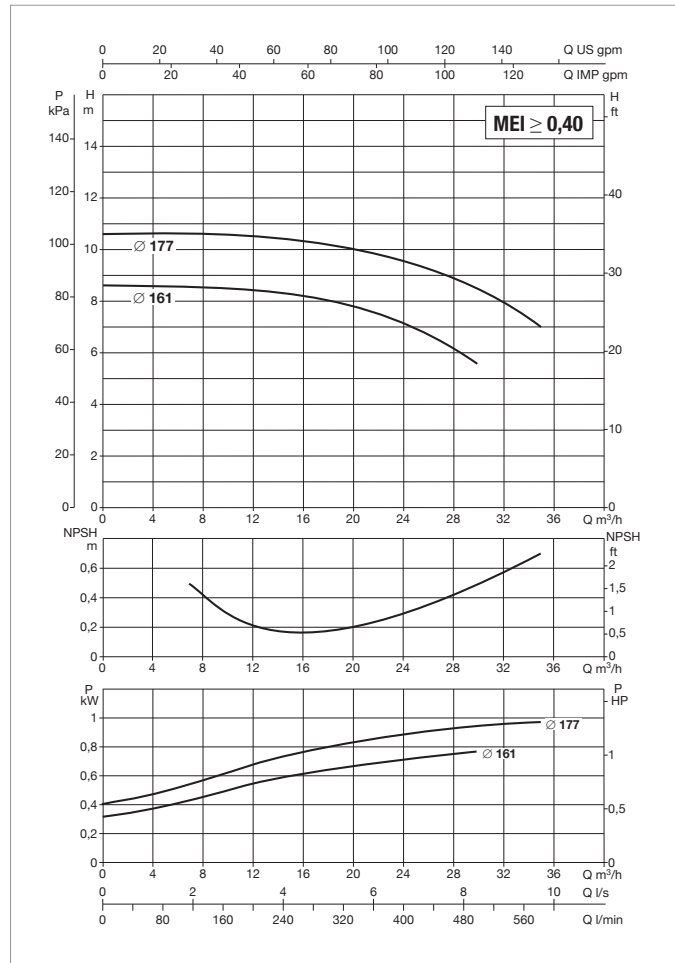
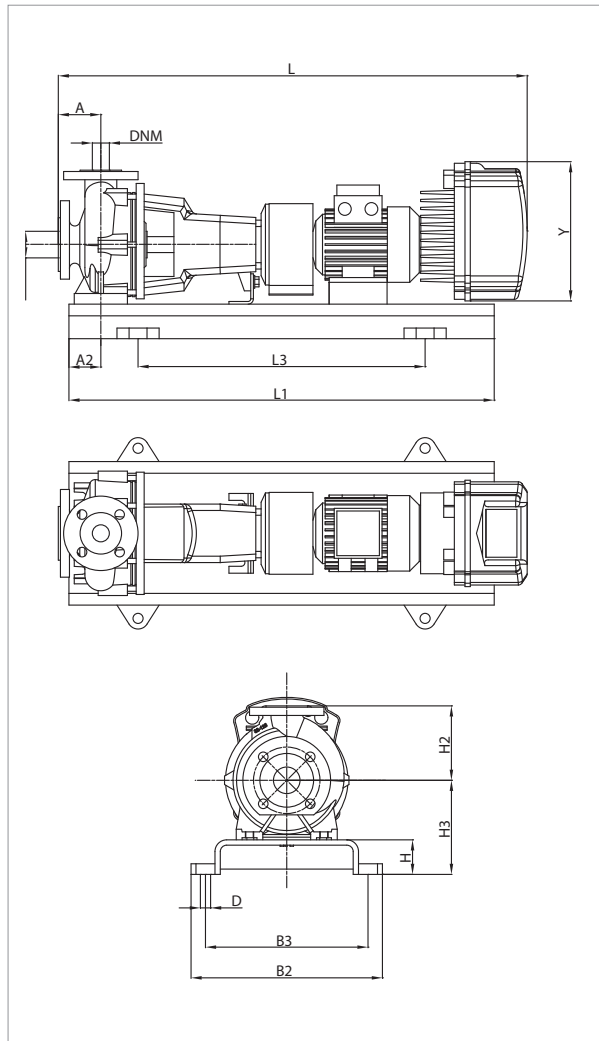
MODEL	A	A2	H2	H	H3	L1	L3	B2	B3	D	Y	FLANGE DIMENSIONS (mm)		STANDARD COUPLING		SPACER COUPLING	
												DNA	DNM	L	WEIGHT kg	L	WEIGHT kg
KDNE 40-125/142/A/BAQE/1/1,1/4 M MCE11/C	80	60	140	65	177	800	540	360	320	19	262	65	40	989	90	1089	95
KDNE 40-125/142/A/BAQE/1/1,1/4 T MCE30/C	80	60	140	65	177	800	540	360	320	19	353	65	40	1056	92,6	1156	97,6

# KDNE 40-160 - 4 POLES - STANDARDISED CENTRIFUGAL ELECTRIC PUMPS WITH INVERTER FOR CIRCULATION SYSTEMS



Pumped liquid temperature range: from -10 °C to +140 °C (MCE/C) - Maximum ambient temperature: +40 °C

= 1450 1/min



See hydraulic efficiency details on page 241.

The performance curves are based on kinematic viscosity values = 1 mm²/s and density equal to 1000 kg/m³. Curve tolerance according to ISO 9906.

MODEL	MCE MODEL	POWER INPUT 50 Hz	P2 NOMINAL		In A
			kW	HP	
KDNE 40-160/161/A/BAQE/1/1,1/4 M MCE11/C	MCE11/C	1 x 230 ~V	1,1	1,5	10,9
KDNE 40-160/161/A/BAQE/1/1,1/4 T MCE30/C	MCE30/C	3 x 400 ~V	1,1	1,5	3,4
KDNE 40-160/177/A/BAQE/1/1,5/4 M MCE15/C	MCE15/C	1 x 230 ~V	1,5	2	14,1
KDNE 40-160/177/A/BAQE/1/1,5/4 T MCE30/C	MCE30/C	3 x 400 ~V	1,5	2	4,5

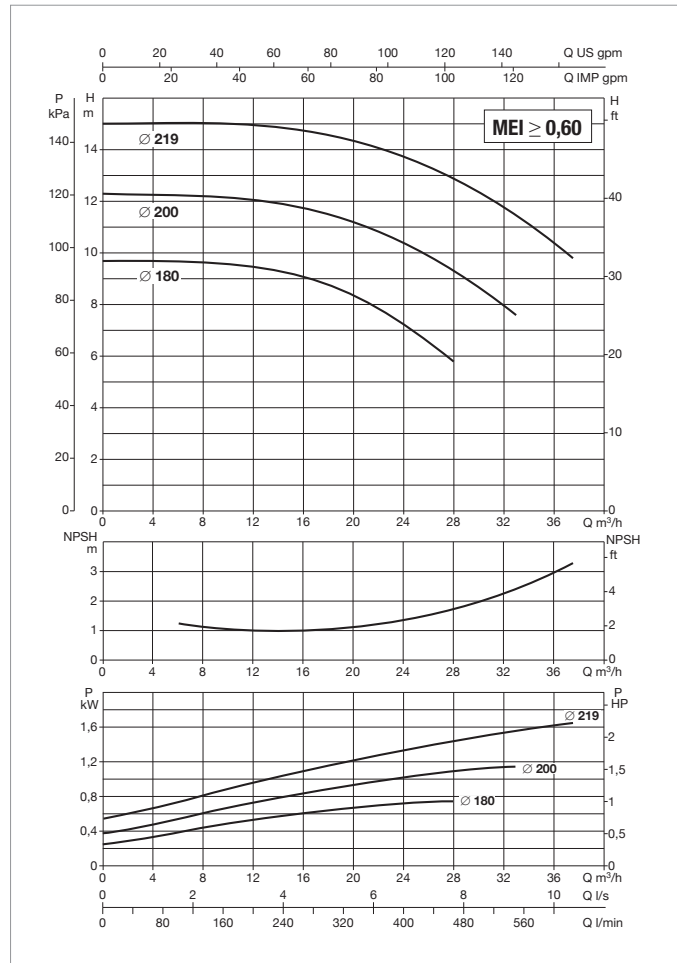
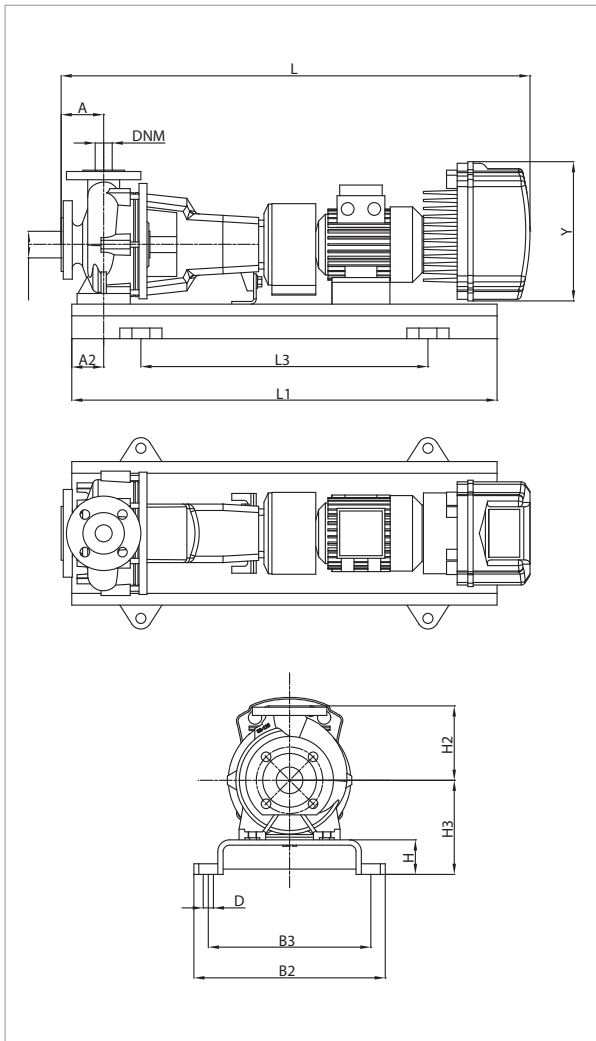
MODEL	A	A2	H2	H	H3	L1	L3	B2	B3	D	Y	FLANGE DIMENSIONS (mm)		STANDARD COUPLING		SPACER COUPLING	
												DNA	DNM	L	WEIGHT kg	L	WEIGHT kg
												KDNE 40-160/161/A/BAQE/1/1,1/4 M MCE11/C	80	60	160	65	197
KDNE 40-160/161/A/BAQE/1/1,1/4 T MCE30/C	80	60	160	65	197	800	540	360	320	19	353	65	40	1056	97,6	1156	102,6
KDNE 40-160/177/A/BAQE/1/1,5/4 M MCE15/C	80	60	160	65	197	900	600	390	350	19	262	65	40	989	105	1089	110
KDNE 40-160/177/A/BAQE/1/1,5/4 T MCE30/C	80	60	160	65	197	900	600	390	350	19	353	65	40	1056	107,6	1156	112,6

# KDNE 40-200 - 4 POLES - STANDARDISED CENTRIFUGAL ELECTRIC PUMPS WITH INVERTER FOR CIRCULATION SYSTEMS



Pumped liquid temperature range: from -10 °C to +140 °C (MCE/C) - Maximum ambient temperature: +40 °C

= 1450 1/min



See hydraulic efficiency details on page 241.

The performance curves are based on kinematic viscosity values = 1 mm<sup>2</sup>/s and density equal to 1000 kg/m<sup>3</sup>. Curve tolerance according to ISO 9906.

MODEL	MCE MODEL	POWER INPUT 50 Hz	P2 NOMINAL		In A
			kW	HP	
KDNE 40-200/180/A/BAQE/1/1,1/4 M MCE11/C	MCE11/C	1 x 230 ~V	1,1	1,5	10,9
KDNE 40-200/180/A/BAQE/1/1,1/4 T MCE30/C	MCE30/C	3 x 400 ~V	1,1	1,5	3,4
KDNE 40-200/200/A/BAQE/1/1,5/4 M MCE15/C	MCE15/C	1 x 230 ~V	1,5	2	14,1
KDNE 40-200/200/A/BAQE/1/1,5/4 T MCE30/C	MCE30/C	3 x 400 ~V	1,5	2	4,5
KDNE 40-200/219/A/BAQE/1/2,2/4 M MCE22/C	MCE22/C	1 x 230 ~V	2,2	3	19,7
KDNE 40-200/219/A/BAQE/1/2,2/4 T MCE30/C	MCE30/C	3 x 400 ~V	2,2	3	6,4

MODEL	A	A2	H2	H	H3	L1	L3	B2	B3	D	Y	FLANGE DIMENSIONS (mm)		STANDARD COUPLING		SPACER COUPLING	
												DNA	DNM	L	WEIGHT kg	L	WEIGHT kg
												KDNE 40-200/180/A/BAQE/1/1,1/4 M MCE11/C	100	60	180	65	225
KDNE 40-200/180/A/BAQE/1/1,1/4 T MCE30/C	100	60	180	65	225	900	600	390	350	19	353	65	40	1076	107,6	1176	112,6
KDNE 40-200/200/A/BAQE/1/1,5/4 M MCE15/C	100	60	180	65	225	900	600	390	350	19	262	65	40	1009	109	1109	114
KDNE 40-200/200/A/BAQE/1/1,5/4 T MCE30/C	100	60	180	65	225	900	600	390	350	19	353	65	40	1076	111,6	1176	116,6
KDNE 40-200/219/A/BAQE/1/2,2/4 M MCE22/C	100	60	180	65	225	900	600	390	350	19	262	65	40	1046	115	1146	120
KDNE 40-200/219/A/BAQE/1/2,2/4 T MCE30/C	100	60	180	65	225	900	600	390	350	19	353	65	40	1113	117,6	1213	122,6

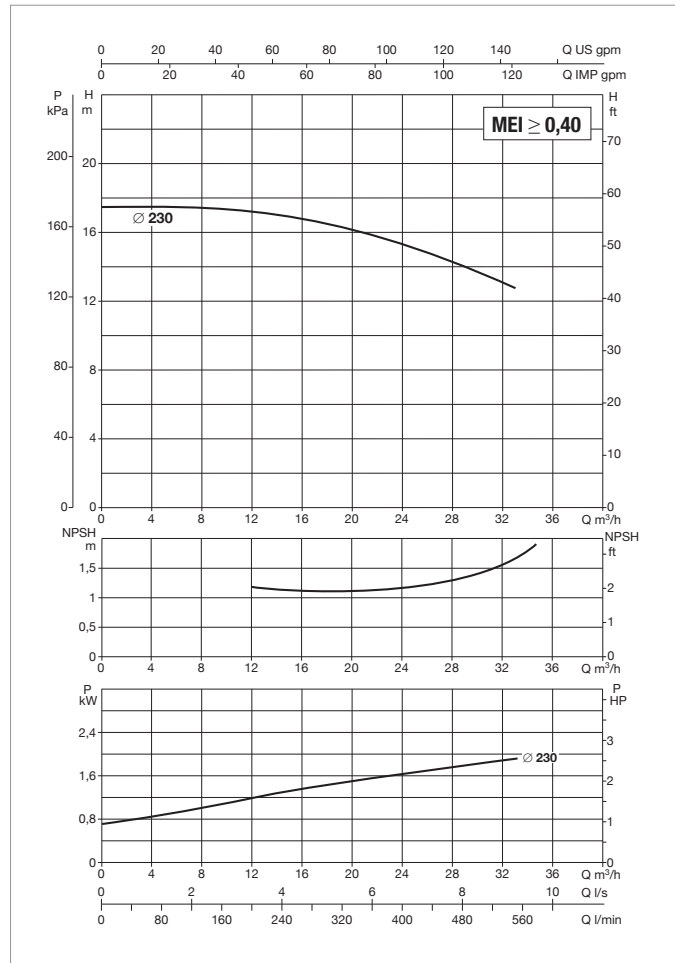
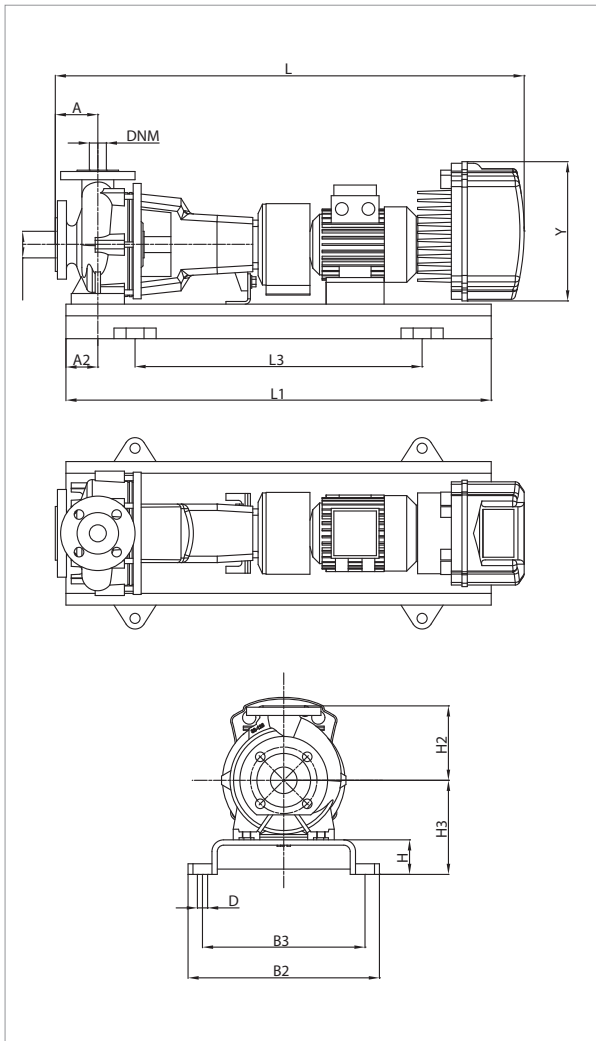


# KDNE 40-250 - 4 POLES - STANDARDISED CENTRIFUGAL ELECTRIC PUMPS WITH INVERTER FOR CIRCULATION SYSTEMS



Pumped liquid temperature range: from -10 °C to +140 °C (MCE/C) - Maximum ambient temperature: +40 °C

= 1450 1/min



See hydraulic efficiency details on page 241.

The performance curves are based on kinematic viscosity values = 1 mm²/s and density equal to 1000 kg/m³. Curve tolerance according to ISO 9906.

MODEL	MCE MODEL	POWER INPUT 50 Hz	P2 NOMINAL		In A
			kW	HP	
KDNE 40-250/230/A/BAQE/1/2,2/4 M MCE22/C	MCE22/C	1 x 230 ~V	2,2	3	19,7
KDNE 40-250/230/A/BAQE/1/2,2/4 T MCE30/C	MCE30/C	3 x 400 ~V	2,2	3	6,4

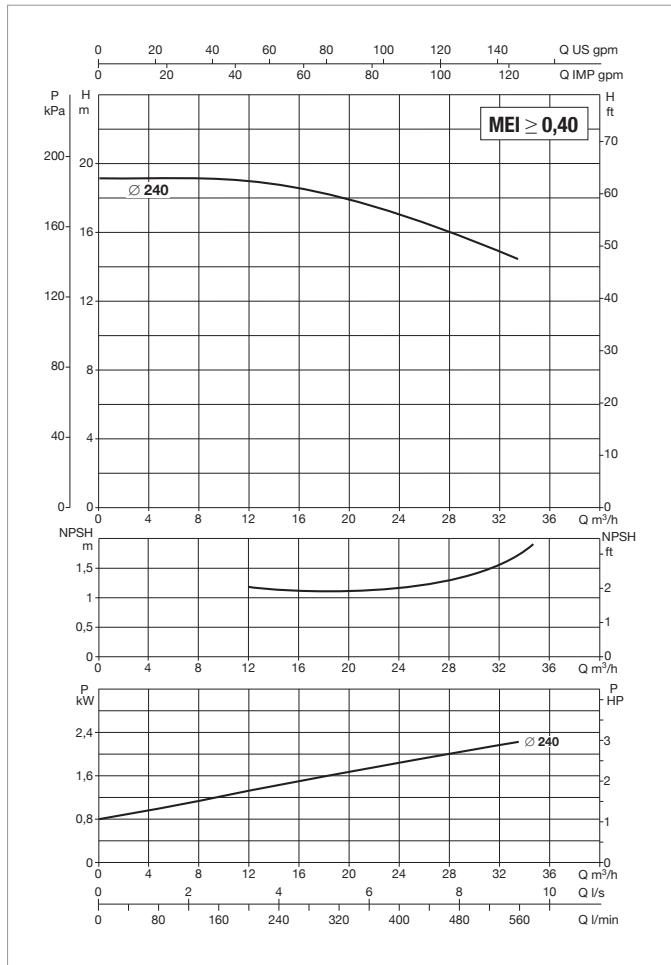
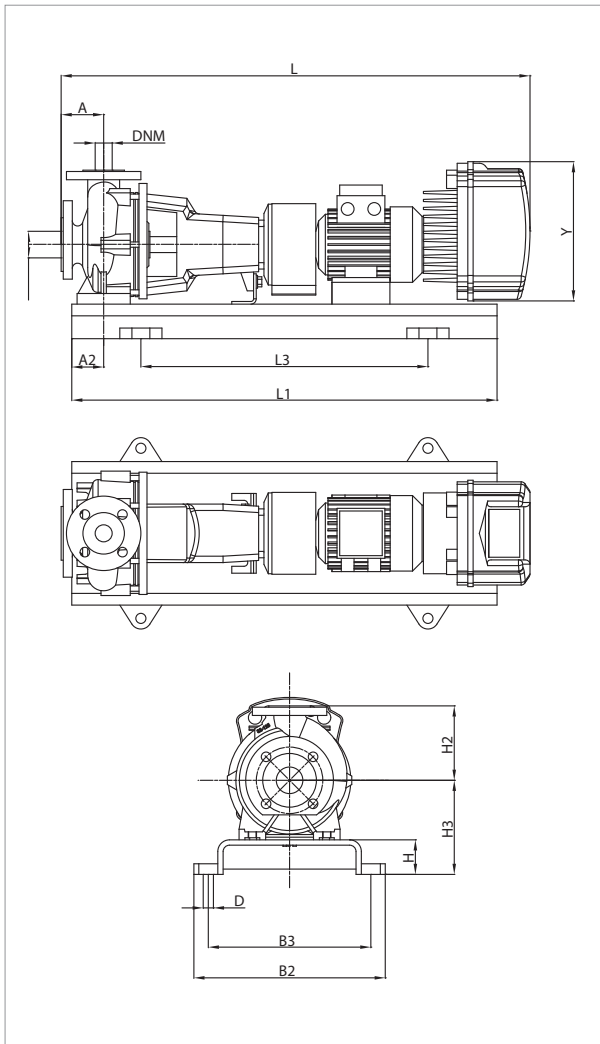
MODEL	A	A2	H2	H	H3	L1	L3	B2	B3	D	Y	FLANGE DIMENSIONS (mm)		STANDARD COUPLING		SPACER COUPLING	
												DNA	DNM	L	WEIGHT kg	L	WEIGHT kg
KDNE 40-250/230/A/BAQE/1/2,2/4 M MCE22/C	100	75	225	80	260	1000	660	450	400	24	262	65	40	1046	133	1146	138
KDNE 40-250/230/A/BAQE/1/2,2/4 T MCE30/C	100	75	225	80	260	1000	660	450	400	24	353	65	40	1113	135,6	1213	140,6



# KDNE 40-250 - 4 POLES - STANDARDISED CENTRIFUGAL ELECTRIC PUMPS WITH INVERTER FOR CIRCULATION OR PRESSURISATION SYSTEMS



Pumped liquid temperature range: from -10 °C to +140 °C (MCE/C) - from -10 °C to +80 °C (MCE/P) - Maximum ambient temperature: +40 °C = 1450 1/min



See hydraulic efficiency details on page 241.

The performance curves are based on kinematic viscosity values = 1 mm<sup>2</sup>/s and density equal to 1000 kg/m<sup>3</sup>. Curve tolerance according to ISO 9906.

MODEL	MCE MODEL	POWER INPUT 50 Hz	P2 NOMINAL		In A
			kW	HP	
KDNE 40-250/240/A/BAQE/1/3/4 T MCE30/C-P	MCE30/C - MCE30/P	3 x 400 ~V	3	4	7,9

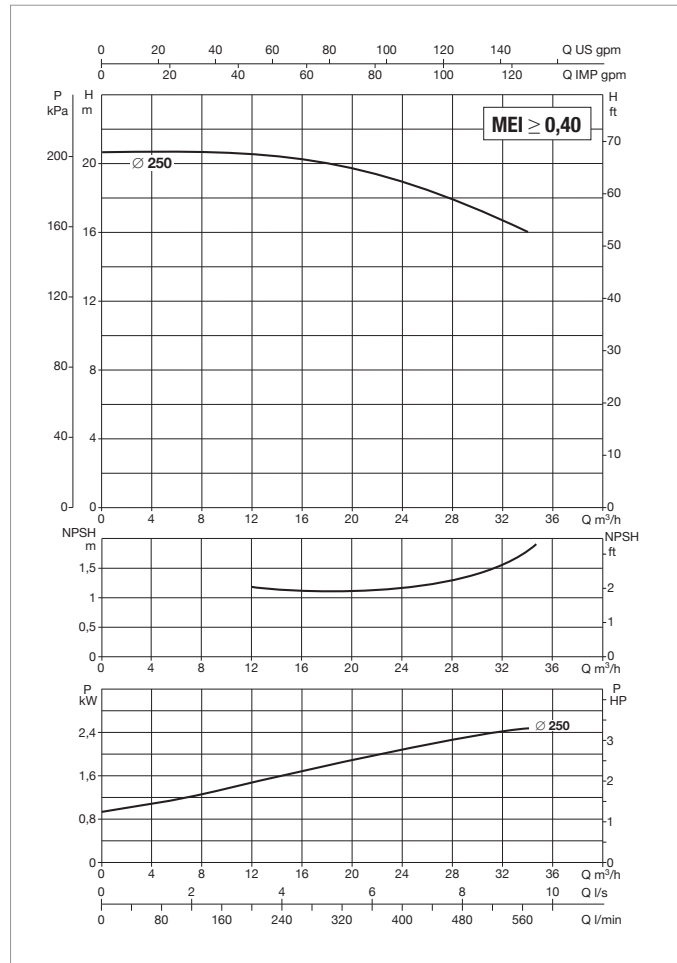
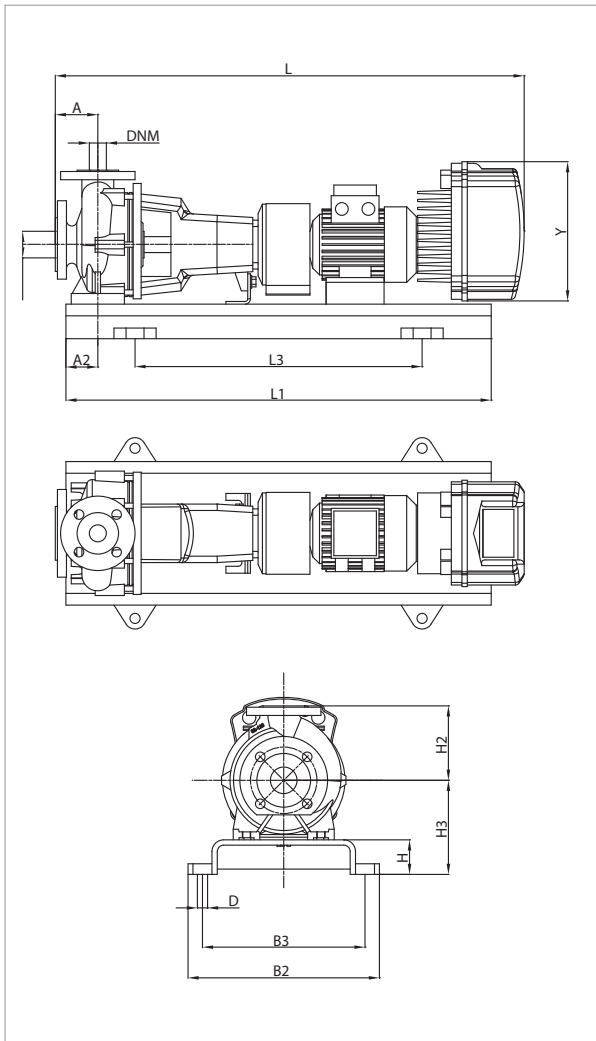
MODEL	A	A2	H2	H	H3	L1	L3	B2	B3	D	Y	FLANGE DIMENSIONS (mm)		STANDARD COUPLING		SPACER COUPLING	
												DNA	DNM	L	WEIGHT kg	L	WEIGHT kg
KDNE 40-250/240/A/BAQE/1/3/4 T MCE30/C-P	100	75	225	80	260	1000	660	450	400	24	353	65	40	1046	158	1146	163

# KDNE 40-250 - 4 POLES - STANDARDISED CENTRIFUGAL ELECTRIC PUMPS WITH INVERTER FOR PRESSURISATION SYSTEMS



Pumped liquid temperature range: from -10 °C to +80 °C (MCE/P) - Maximum ambient temperature: +40 °C

= 1450 1/min



See hydraulic efficiency details on page 241.

The performance curves are based on kinematic viscosity values = 1 mm²/s and density equal to 1000 kg/m³. Curve tolerance according to ISO 9906.

MODEL	MCE MODEL	POWER INPUT 50 Hz	P2 NOMINAL		In A
			kW	HP	
KDNE 40-250/250/A/BAQE/1/4/4 MCE55/P	MCE30/P	3 x 400 ~V	3	4	8,8

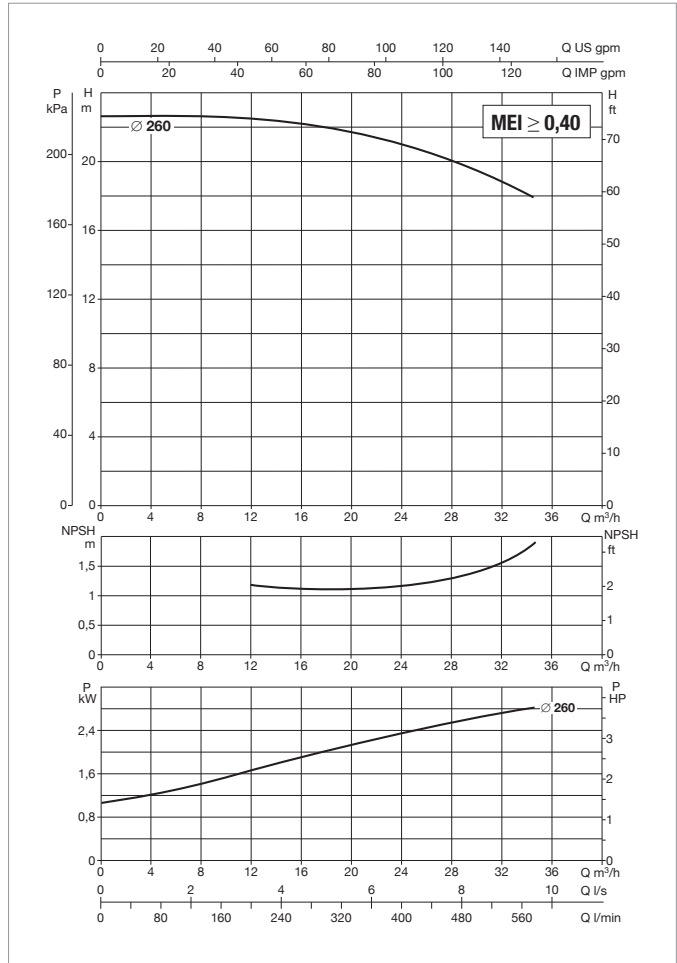
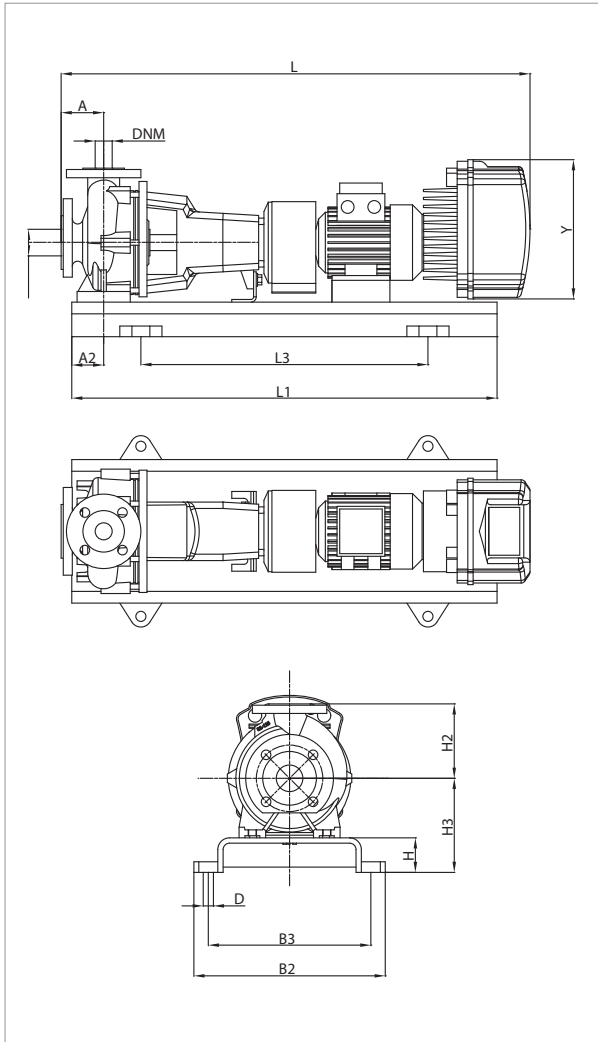
MODEL	A	A2	H2	H	H3	L1	L3	B2	B3	D	Y	FLANGE DIMENSIONS (mm)		STANDARD COUPLING		SPACER COUPLING	
												DNA	DNM	L	WEIGHT kg	L	WEIGHT kg
KDNE 40-250/250/A/BAQE/1/4/4 MCE55/P	100	75	225	80	260	1120	740	490	440	24	353	65	40	1069	209	1169	214

# KDNE 40-250 - 4 POLES - STANDARDISED CENTRIFUGAL ELECTRIC PUMPS WITH INVERTER FOR CIRCULATION SYSTEMS



Pumped liquid temperature range: from -10 °C to +140 °C (MCE/C) - Maximum ambient temperature: +40 °C

= 1450 1/min



See hydraulic efficiency details on page 241.

The performance curves are based on kinematic viscosity values = 1 mm²/s and density equal to 1000 kg/m³. Curve tolerance according to ISO 9906.

MODEL	MCE MODEL	POWER INPUT 50 Hz	P2 NOMINAL		In A
			kW	HP	
KDNE 40-250/260/A/BAQE/1/4/4 T MCE55/C	MCE55/C	3 x 400 ~V	4	5,5	10,0

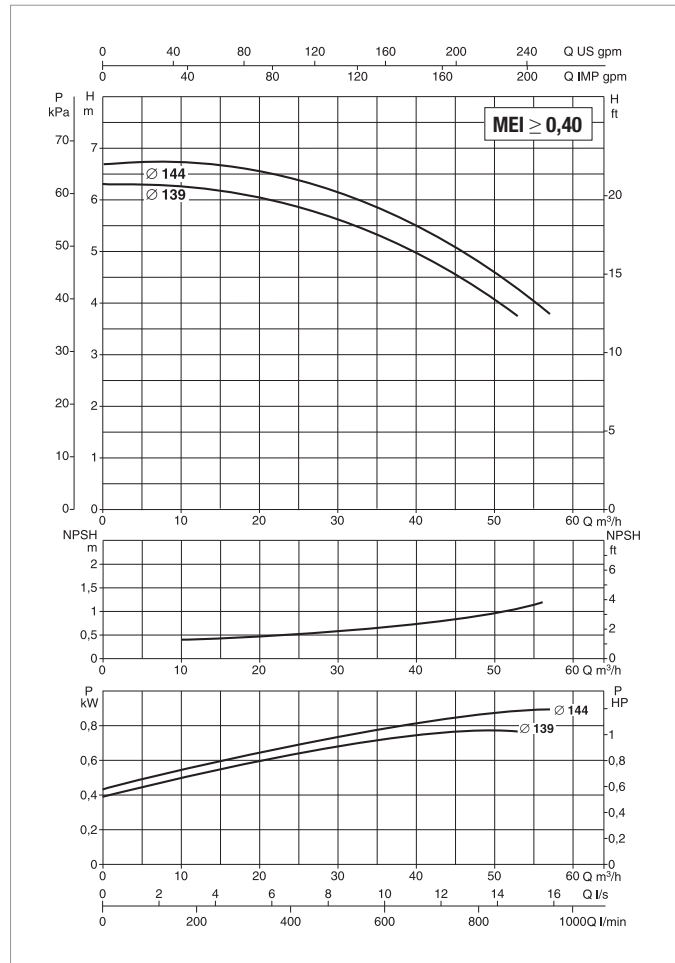
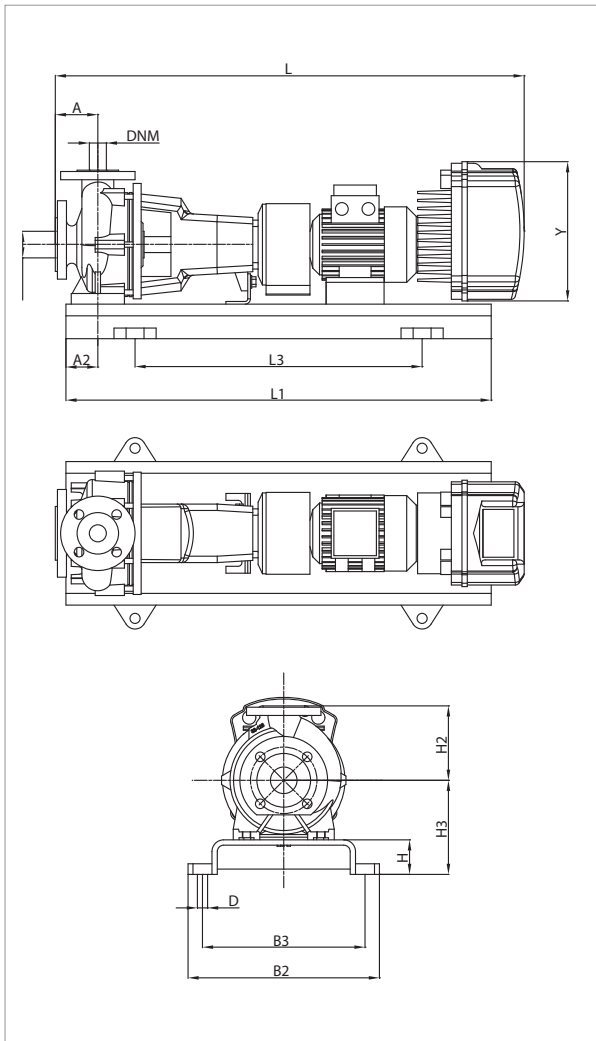
MODEL	A	A2	H2	H	H3	L1	L3	B2	B3	D	Y	FLANGE DIMENSIONS (mm)		STANDARD COUPLING		SPACER COUPLING	
												DNA	DNM	L	WEIGHT kg	L	WEIGHT kg
KDNE 40-250/260/A/BAQE/1/4/4 T MCE55/C	100	75	225	80	260	1000	660	450	400	24	353	65	40	1069	209	1169	214

# KDNE 50-125 - 4 POLES - STANDARDISED CENTRIFUGAL ELECTRIC PUMPS WITH INVERTER FOR CIRCULATION SYSTEMS



Pumped liquid temperature range: from -10 °C to +140 °C (MCE/C) - Maximum ambient temperature: +40 °C

= 1450 1/min



See hydraulic efficiency details on page 241.

The performance curves are based on kinematic viscosity values = 1 mm²/s and density equal to 1000 kg/m³. Curve tolerance according to ISO 9906.

MODEL	MCE MODEL	POWER INPUT 50 Hz	P2 NOMINAL		In A
			kW	HP	
KDNE 50-125/139/A/BAQE/1/1,1/4 M MCE11/C	MCE11/C	1 x 230 ~V	1,1	1,5	10,9
KDNE 50-125/139/A/BAQE/1/1,1/4 T MCE30/C	MCE30/C	3 x 400 ~V	1,1	1,5	3,4
KDNE 50-125/144/A/BAQE/1/1,5/4 M MCE15/C	MCE15/C	1 x 230 ~V	1,5	2	14,1
KDNE 50-125/144/A/BAQE/1/1,5/4 T MCE30/C	MCE30/C	3 x 400 ~V	1,5	2	4,5

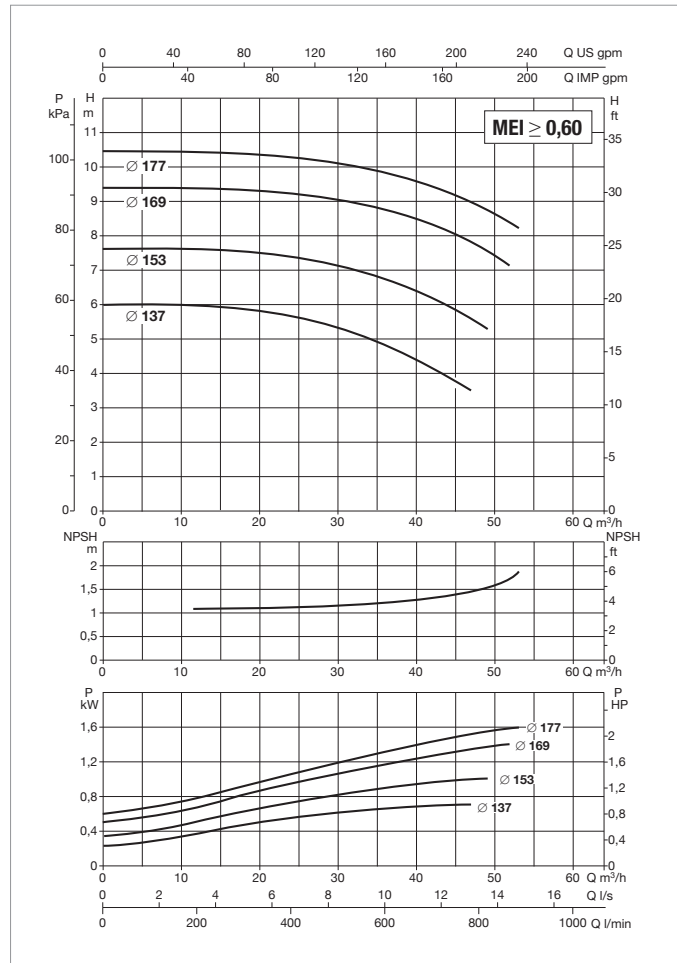
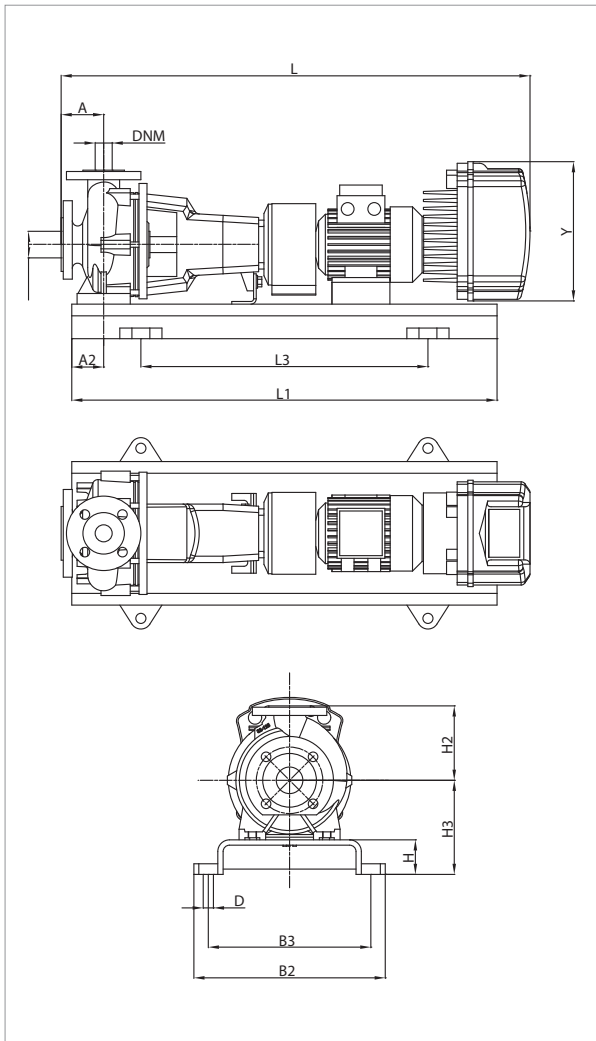
MODEL	A	A2	H2	H	H3	L1	L3	B2	B3	D	Y	FLANGE DIMENSIONS (mm)		STANDARD COUPLING		SPACER COUPLING	
												DNA	DNM	L	WEIGHT kg	L	WEIGHT kg
												KDNE 50-125/139/A/BAQE/1/1,1/4 M MCE11/C	100	60	160	65	197
KDNE 50-125/139/A/BAQE/1/1,1/4 T MCE30/C	100	60	160	65	197	800	540	360	320	19	353	65	50	1076	99,6	1176	104,6
KDNE 50-125/144/A/BAQE/1/1,5/4 M MCE15/C	100	60	160	65	197	900	600	390	350	19	262	65	50	1009	105	1109	110
KDNE 50-125/144/A/BAQE/1/1,5/4 T MCE30/C	100	60	160	65	197	900	600	390	350	19	353	65	50	1076	107,6	1176	112,6

# KDNE 50-160 - 4 POLES - STANDARDISED CENTRIFUGAL ELECTRIC PUMPS WITH INVERTER FOR CIRCULATION SYSTEMS



Pumped liquid temperature range: from -10 °C to +140 °C (MCE/C) - Maximum ambient temperature: +40 °C

= 1450 1/min



See hydraulic efficiency details on page 241.

The performance curves are based on kinematic viscosity values = 1 mm<sup>2</sup>/s and density equal to 1000 kg/m<sup>3</sup>. Curve tolerance according to ISO 9906.

MODEL	MCE MODEL	POWER INPUT 50 Hz	P2 NOMINAL		In A
			kW	HP	
KDNE 50-160/137/A/BAQE/1/1,1/4 M MCE11/C	MCE11/C	1 x 230 ~V	1,1	1,5	10,9
KDNE 50-160/137/A/BAQE/1/1,1/4 T MCE30/C	MCE30/C	3 x 400 ~V	1,1	1,5	3,4
KDNE 50-160/153/A/BAQE/1/1,5/4 M MCE15/C	MCE15/C	1 x 230 ~V	1,5	2	14,1
KDNE 50-160/153/A/BAQE/1/1,5/4 T MCE30/C	MCE30/C	3 x 400 ~V	1,5	2	4,5
KDNE 50-160/169/A/BAQE/1/2,2/4 M MCE22/C	MCE22/C	1 x 230 ~V	2,2	3	19,7
KDNE 50-160/169/A/BAQE/1/2,2/4 T MCE30/C	MCE30/C	3 x 400 ~V	2,2	3	6,4
KDNE 50-160/177/A/BAQE/1/3/4 T MCE30/C	MCE30/C	3 x 400 ~V	3	4	7,9

MODEL	A	A2	H2	H	H3	L1	L3	B2	B3	D	Y	FLANGE DIMENSIONS (mm)		STANDARD COUPLING		SPACER COUPLING	
												DNA	DNM	L	WEIGHT kg	L	WEIGHT kg
												KDNE 50-160/137/A/BAQE/1/1,1/4 M MCE11/C	100	60	180	65	225
KDNE 50-160/137/A/BAQE/1/1,1/4 T MCE30/C	100	60	180	65	225	900	600	390	350	19	353	65	50	1076	16,6	1176	11,6
KDNE 50-160/153/A/BAQE/1/1,5/4 M MCE15/C	100	60	180	65	225	900	600	390	350	19	262	65	50	1009	107	1109	112
KDNE 50-160/153/A/BAQE/1/1,5/4 T MCE30/C	100	60	180	65	225	900	600	390	350	19	353	65	50	1076	109,6	1176	114,6
KDNE 50-160/169/A/BAQE/1/2,2/4 M MCE22/C	100	60	180	65	225	900	600	390	350	19	262	65	50	1046	111	1146	116
KDNE 50-160/169/A/BAQE/1/2,2/4 T MCE30/C	100	60	180	65	225	900	600	390	350	19	353	65	50	1113	113,6	1213	118,6
KDNE 50-160/177/A/BAQE/1/3/4 T MCE30/C	100	60	180	65	225	900	600	390	350	19	353	65	50	1046	119	1146	124

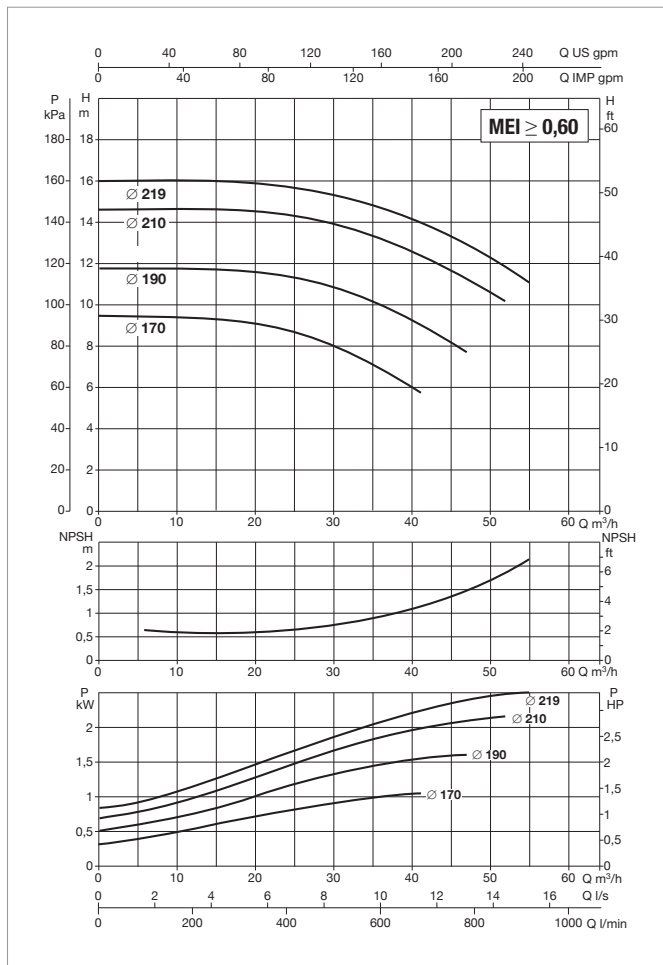
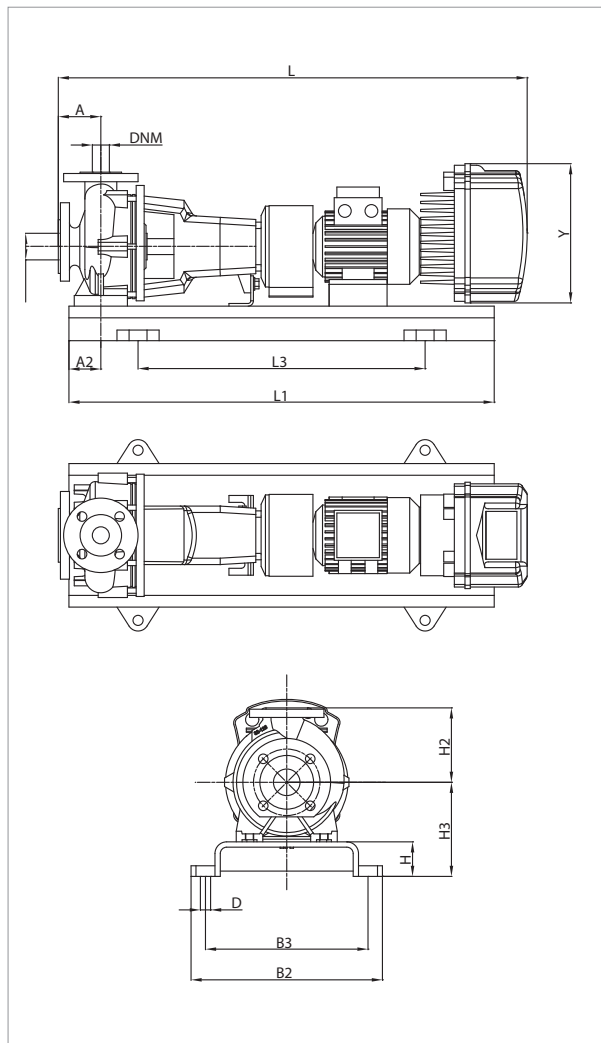


# KDNE 50-200 - 4 POLES - STANDARDISED CENTRIFUGAL ELECTRIC PUMPS WITH INVERTER FOR CIRCULATION SYSTEMS



Pumped liquid temperature range: from -10 °C to +140 °C (MCE/C) - Maximum ambient temperature: +40 °C

= 1450 1/min



See hydraulic efficiency details on page 241.

The performance curves are based on kinematic viscosity values = 1 mm<sup>2</sup>/s and density equal to 1000 kg/m<sup>3</sup>. Curve tolerance according to ISO 9906.

MODEL	MCE MODEL	POWER INPUT 50 Hz	P2 NOMINAL		In A
			kW	HP	
KDNE 50-200/170/A/BAQE/1/1,5/4 M MCE15/C	MCE15/C	1 x 230 ~V	1,5	2	14,1
KDNE 50-200/170/A/BAQE/1/1,5/4 T MCE30/C	MCE30/C	3 x 400 ~V	1,5	2	4,5
KDNE 50-200/190/A/BAQE/1/2,2/4 M MCE22/C	MCE22/C	1 x 230 ~V	2,2	3	19,7
KDNE 50-200/190/A/BAQE/1/2,2/4 T MCE30/C	MCE30/C	3 x 400 ~V	2,2	3	6,4
KDNE 50-200/210/A/BAQE/1/3/4 T MCE30/C	MCE30/C	3 x 400 ~V	3	4	7,9
KDNE 50-200/219/A/BAQE/1/4/4 T MCE55/C	MCE55/C	3 x 400 ~V	4	5,5	10,0

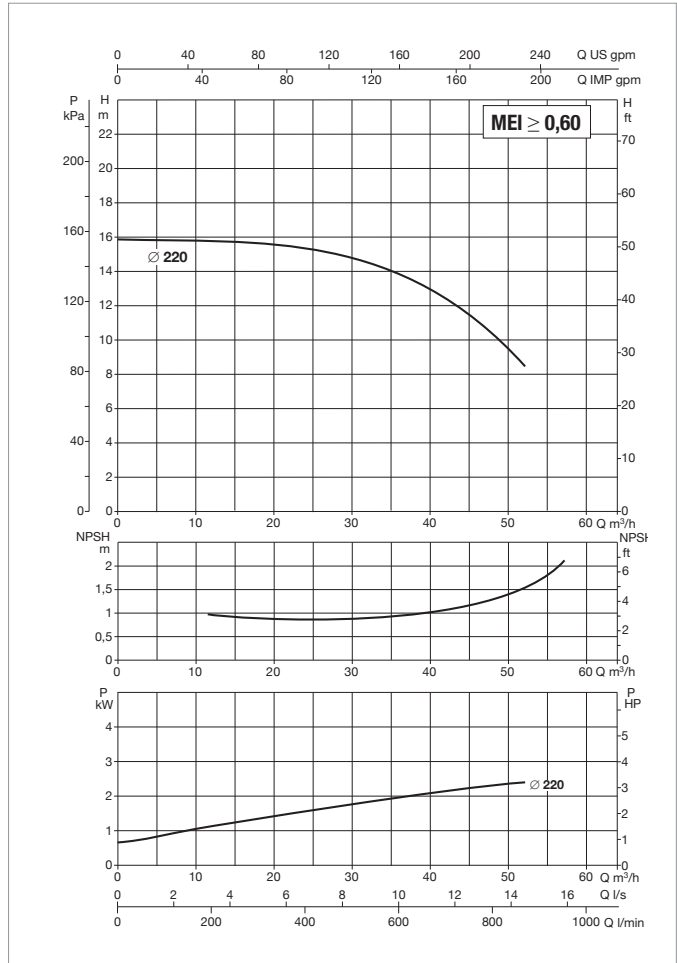
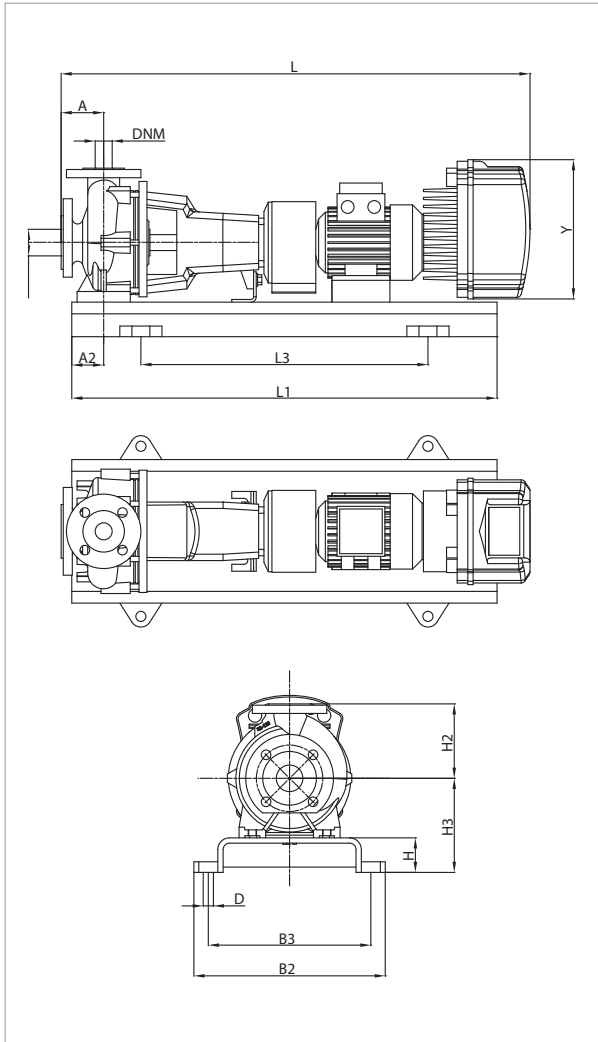
MODEL	A	A2	H2	H	H3	L1	L3	B2	B3	D	Y	FLANGE DIMENSIONS (mm)		STANDARD COUPLING		SPACER COUPLING	
												DNA	DNM	L	WEIGHT kg	L	WEIGHT kg
												KDNE 50-200/170/A/BAQE/1/1,5/4 M MCE15/C	100	60	200	65	225
KDNE 50-200/170/A/BAQE/1/1,5/4 T MCE30/C	100	60	200	65	225	900	600	390	350	19	353	65	50	1076	120,6	1176	125,6
KDNE 50-200/190/A/BAQE/1/2,2/4 M MCE22/C	100	60	200	65	225	900	600	390	350	19	262	65	50	1046	127	1146	132
KDNE 50-200/190/A/BAQE/1/2,2/4 T MCE30/C	100	60	200	65	225	900	600	390	350	19	353	65	50	1113	129,6	1213	134,6
KDNE 50-200/210/A/BAQE/1/3/4 T MCE30/C	100	60	200	65	225	900	600	390	350	19	353	65	50	1046	131	1146	136
KDNE 50-200/219/A/BAQE/1/4/4 T MCE55/C	100	60	200	65	225	900	600	390	350	19	353	65	50	1069	131	1169	136

# KDNE 50-250 - 4 POLES - STANDARDISED CENTRIFUGAL ELECTRIC PUMPS WITH INVERTER FOR CIRCULATION SYSTEMS



Pumped liquid temperature range: from -10 °C to +140 °C (MCE/C) - Maximum ambient temperature: +40 °C

= 1450 1/min



See hydraulic efficiency details on page 241.

The performance curves are based on kinematic viscosity values = 1 mm²/s and density equal to 1000 kg/m³. Curve tolerance according to ISO 9906.

MODEL	MCE MODEL	POWER INPUT 50 Hz	P2 NOMINAL		In A
			kW	HP	
KDNE 50-250/220/A/BAQE/1/3/4 T MCE30/C	MCE30/C	3 x 400 ~V	3	4	7,9

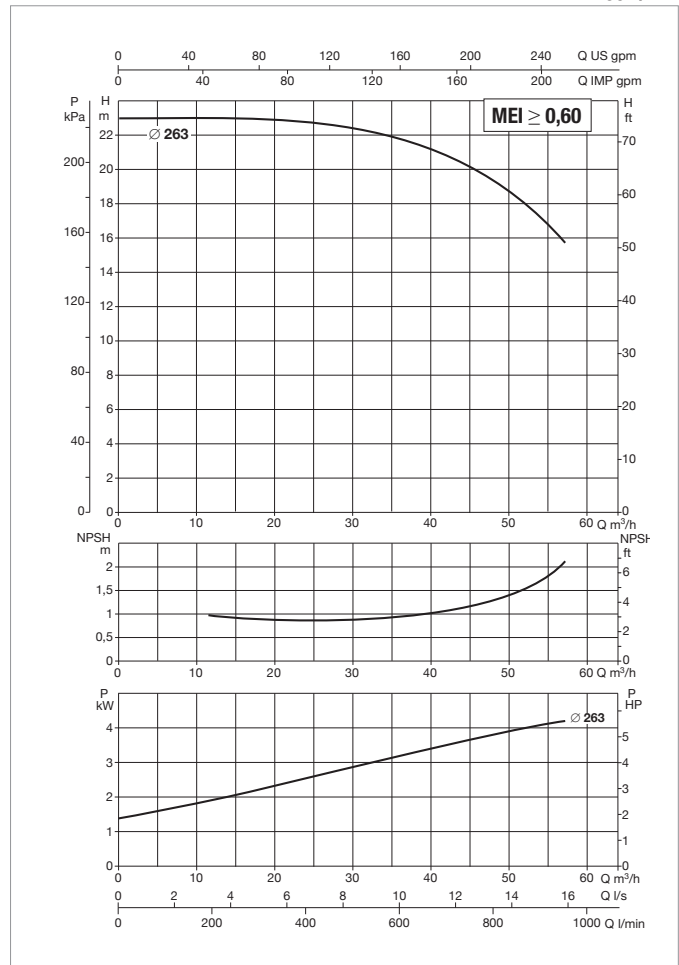
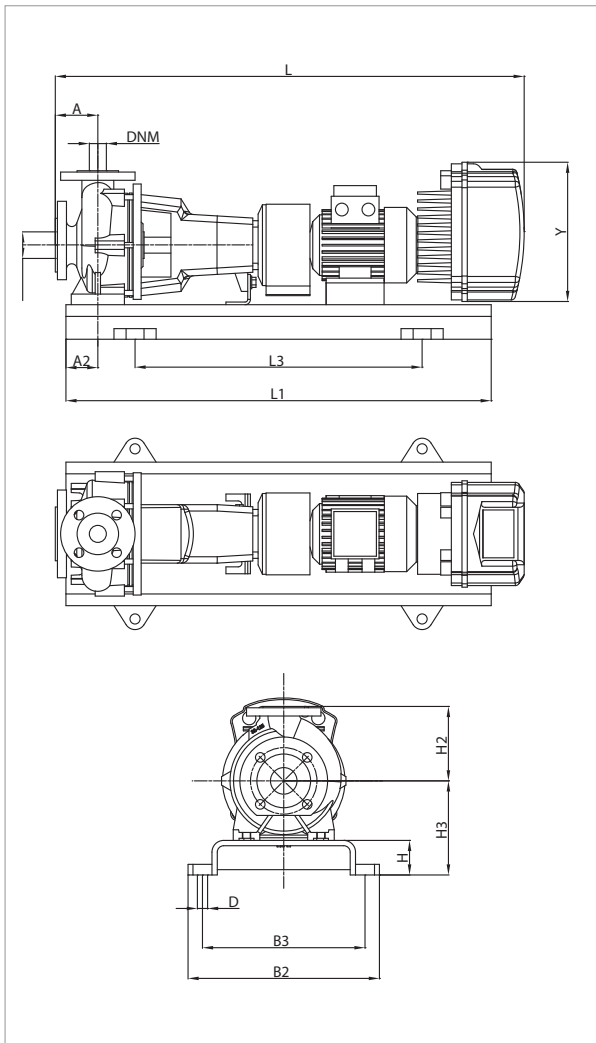
MODEL	A	A2	H2	H	H3	L1	L3	B2	B3	D	Y	FLANGE DIMENSIONS (mm)		STANDARD COUPLING		SPACER COUPLING	
												DNA	DNM	L	WEIGHT kg	L	WEIGHT kg
												KDNE 50-250/220/A/BAQE/1/3/4 T MCE30/C	100	75	225	80	260

# KDNE 50-250 - 4 POLES - STANDARDISED CENTRIFUGAL ELECTRIC PUMPS WITH INVERTER FOR CIRCULATION OR PRESSURISATION SYSTEMS

MCE-C

MCE-P

Pumped liquid temperature range: from -10 °C to +140 °C (MCE/C) - from -10 °C to +80 °C (MCE/P) - Maximum ambient temperature: +40 °C  
= 1450 1/min



See hydraulic efficiency details on page 241.

The performance curves are based on kinematic viscosity values = 1 mm<sup>2</sup>/s and density equal to 1000 kg/m<sup>3</sup>. Curve tolerance according to ISO 9906.

MODEL	MCE MODEL	POWER INPUT 50 Hz	P2 NOMINAL		In A
			kW	HP	
KDNE 50-250/263/A/BAQE/1/5,5/4 T MCE55/C-P	MCE55/C - MCE55/P	3 x 400 ~V	5,5	7,5	13,4

MODEL	A	A2	H2	H	H3	L1	L3	B2	B3	D	Y	FLANGE DIMENSIONS (mm)		STANDARD COUPLING		SPACER COUPLING	
												DNA	DNM	L	WEIGHT kg	L	WEIGHT kg
												KDNE 50-250/263/A/BAQE/1/5,5/4 T MCE55/C-P	100	75	225	80	260

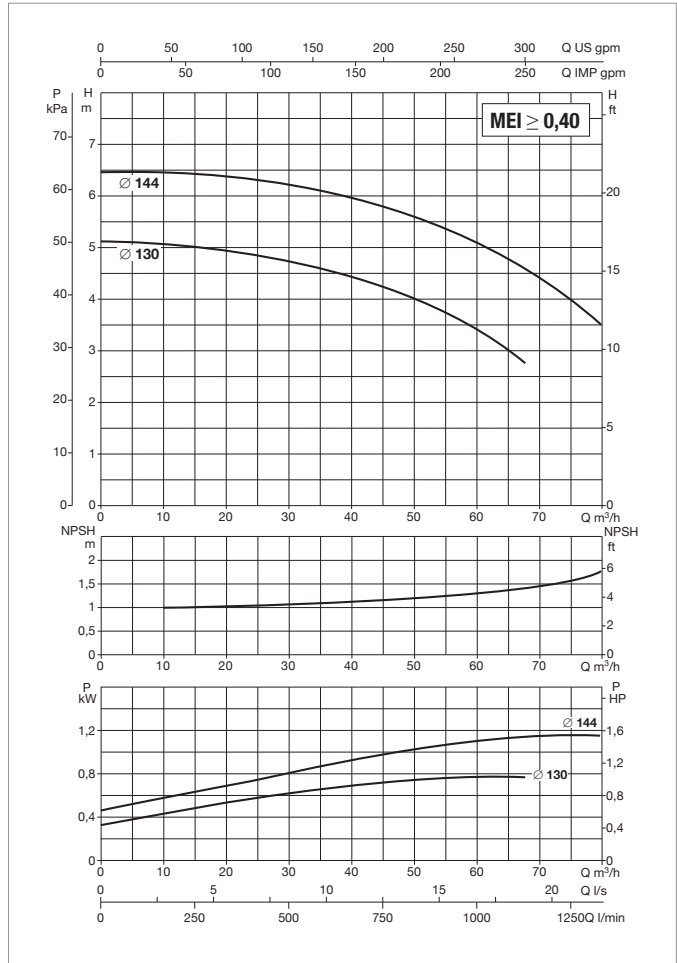
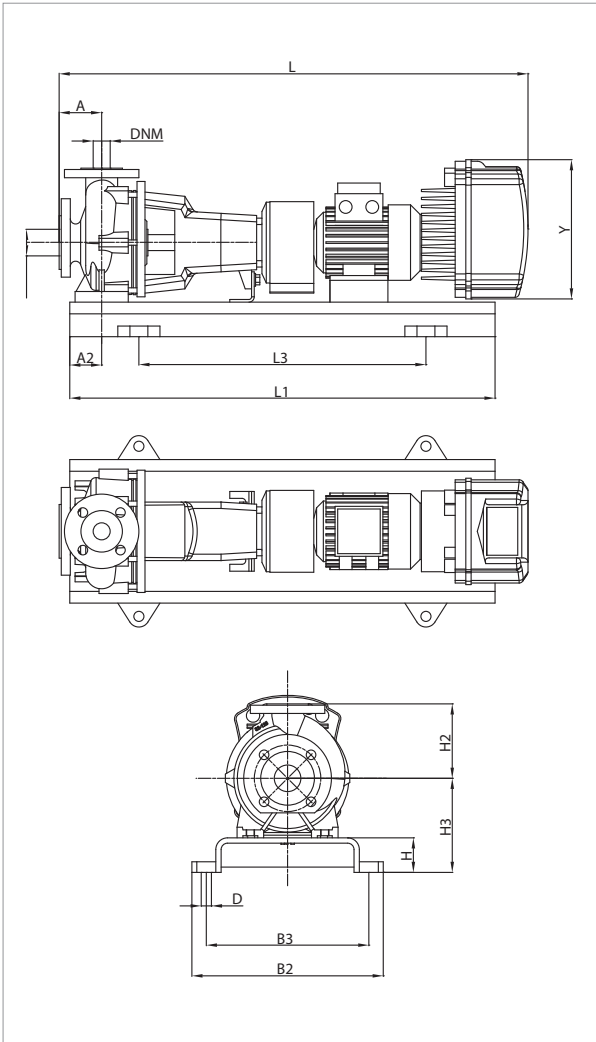


# KDNE 65-125 - 4 POLES - STANDARDISED CENTRIFUGAL ELECTRIC PUMPS WITH INVERTER FOR CIRCULATION SYSTEMS



Pumped liquid temperature range: from -10 °C to +140 °C (MCE/C) - Maximum ambient temperature: +40 °C

= 1450 1/min



See hydraulic efficiency details on page 241.

The performance curves are based on kinematic viscosity values = 1 mm²/s and density equal to 1000 kg/m³. Curve tolerance according to ISO 9906.

MODEL	MCE MODEL	POWER INPUT 50 Hz	P2 NOMINAL		In A
			kW	HP	
KDNE 65-125/130/A/BAQE/1/1,1/4 M MCE11/C	MCE11/C	1 x 230 ~V	1,1	1,5	10,9
KDNE 65-125/130/A/BAQE/1/1,1/4 T MCE30/C	MCE30/C	3 x 400 ~V	1,1	1,5	3,4
KDNE 65-125/144/A/BAQE/1/1,5/4 M MCE15/C	MCE15/C	1 x 230 ~V	1,5	2	14,1
KDNE 65-125/144/A/BAQE/1/1,5/4 T MCE30/C	MCE30/C	3 x 400 ~V	1,5	2	4,5

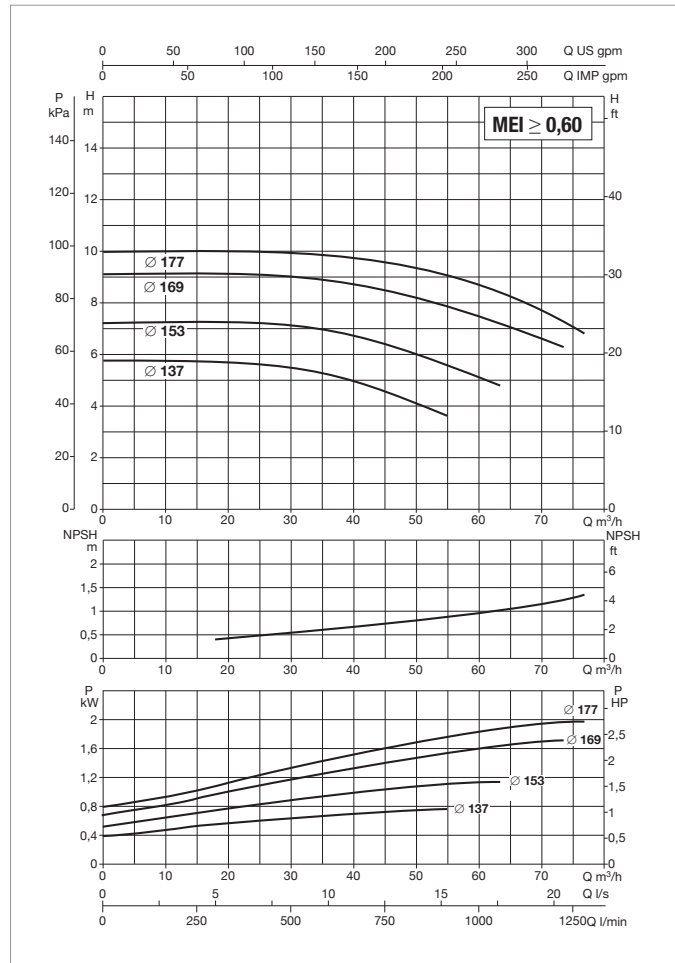
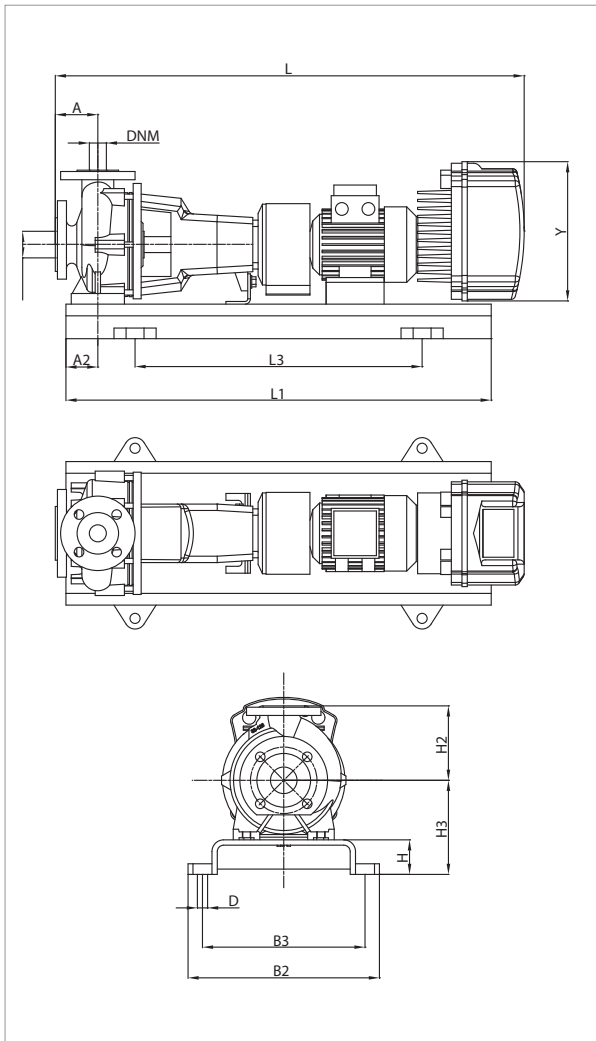
MODEL	A	A2	H2	H	H3	L1	L3	B2	B3	D	Y	FLANGE DIMENSIONS (mm)		STANDARD COUPLING		SPACER COUPLING	
												DNA	DNM	L	WEIGHT kg	L	WEIGHT kg
												KDNE 65-125/130/A/BAQE/1/1,1/4 M MCE11/C	100	60	180	65	225
KDNE 65-125/130/A/BAQE/1/1,1/4 T MCE30/C	100	60	180	65	225	900	600	390	350	19	363	80	65	1076	106,6	1176	111,6
KDNE 65-125/144/A/BAQE/1/1,5/4 M MCE15/C	100	60	180	65	225	900	600	390	350	19	262	80	65	1009	107	1109	112
KDNE 65-125/144/A/BAQE/1/1,5/4 T MCE30/C	100	60	180	65	225	900	600	390	350	19	353	80	65	1076	109,6	1176	114,6

# KDNE 65-160 - 4 POLES - STANDARDISED CENTRIFUGAL ELECTRIC PUMPS WITH INVERTER FOR CIRCULATION SYSTEMS



Pumped liquid temperature range: from -10 °C to +140 °C (MCE/C) - Maximum ambient temperature: +40 °C

= 1450 1/min



See hydraulic efficiency details on page 241.

The performance curves are based on kinematic viscosity values = 1 mm²/s and density equal to 1000 kg/m³. Curve tolerance according to ISO 9906.

MODEL	MCE MODEL	POWER INPUT 50 Hz	P2 NOMINAL		In A
			kW	HP	
KDNE 65-160/137/A/BAQE/1/1,1/4 M MCE11/C	MCE11/C	1 x 230 ~V	1,1	1,5	10,9
KDNE 65-160/137/A/BAQE/1/1,1/4 T MCE30/C	MCE30/C	3 x 400 ~V	1,1	1,5	3,4
KDNE 65-160/153/A/BAQE/1/1,5/4 M MCE15/C	MCE15/C	1 x 230 ~V	1,5	2	14,1
KDNE 65-160/153/A/BAQE/1/1,5/4 T MCE30/C	MCE30/C	3 x 400 ~V	1,5	2	4,5
KDNE 65-160/169/A/BAQE/1/2,2/4 M MCE22/C	MCE22/C	1 x 230 ~V	2,2	3	19,7
KDNE 65-160/169/A/BAQE/1/2,2/4 T MCE30/C	MCE30/C	3 x 400 ~V	2,2	3	6,4
KDNE 65-160/177/A/BAQE/1/3/4 T MCE30/C	MCE30/C	3 x 400 ~V	3	4	7,9

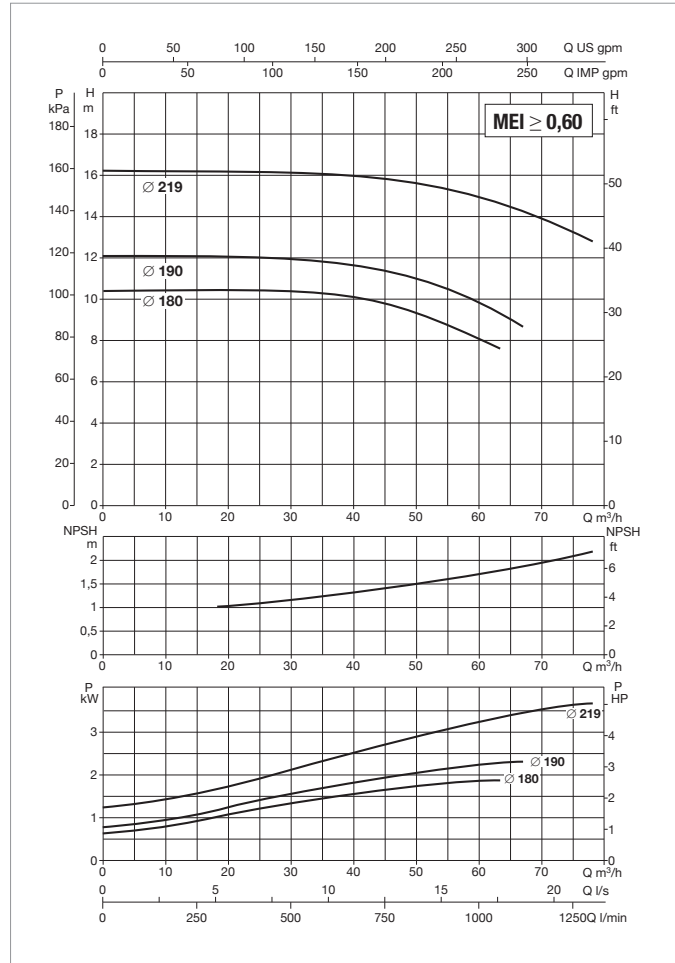
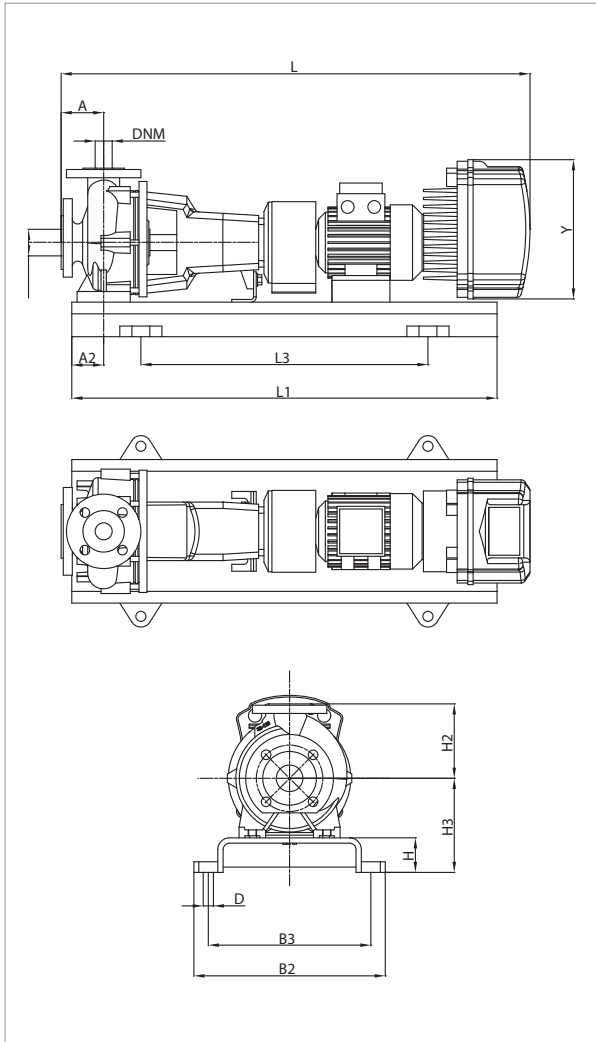
MODEL	A	A2	H2	H	H3	L1	L3	B2	B3	D	Y	FLANGE DIMENSIONS (mm)		STANDARD COUPLING		SPACER COUPLING	
												DNA	DNM	L	WEIGHT kg	L	WEIGHT kg
KDNE 65-160/137/A/BAQE/1/1,1/4 M MCE11/C	100	60	200	65	225	900	600	390	350	19	262	80	65	1009	107	1109	112
KDNE 65-160/137/A/BAQE/1/1,1/4 T MCE30/C	100	60	200	65	225	900	600	390	350	19	353	80	65	1076	109,6	1176	114,6
KDNE 65-160/153/A/BAQE/1/1,5/4 M MCE15/C	100	60	200	65	225	900	600	390	350	19	262	80	65	1009	118	1109	123
KDNE 65-160/153/A/BAQE/1/1,5/4 T MCE30/C	100	60	200	65	225	900	600	390	350	19	353	80	65	1076	120,6	1176	125,6
KDNE 65-160/169/A/BAQE/1/2,2/4 M MCE22/C	100	60	200	65	225	900	600	390	350	19	262	80	65	1046	118	1146	123
KDNE 65-160/169/A/BAQE/1/2,2/4 T MCE30/C	100	60	200	65	225	900	600	390	350	19	353	80	65	1113	120,6	1213	125,6
KDNE 65-160/177/A/BAQE/1/3/4 T MCE30/C	100	60	200	65	225	900	600	390	350	19	353	80	65	1046	157	1146	162

# KDNE 65-200 - 4 POLES - STANDARDISED CENTRIFUGAL ELECTRIC PUMPS WITH INVERTER FOR CIRCULATION SYSTEMS



Pumped liquid temperature range: from -10 °C to +140 °C (MCE/C) - Maximum ambient temperature: +40 °C

= 1450 1/min



See hydraulic efficiency details on page 241.

The performance curves are based on kinematic viscosity values = 1 mm<sup>2</sup>/s and density equal to 1000 kg/m<sup>3</sup>. Curve tolerance according to ISO 9906.

MODEL	MCE MODEL	POWER INPUT 50 Hz	P2 NOMINAL		In A
			kW	HP	
KDNE 65-200/180/A/BAQE/1/2,2/4 M MCE22/C	MCE22/C	1 x 230 ~V	2,2	3	19,7
KDNE 65-200/180/A/BAQE/1/2,2/4 T MCE30/C	MCE30/C	3 x 400 ~V	2,2	3	6,4
KDNE 65-200/190/A/BAQE/1/3/4 T MCE30/C	MCE30/C	3 x 400 ~V	3	4	7,9
KDNE65-200/219/A/BAQE/1/5,5/4 T MCE55/C	MCE55/C	3 x 400 ~V	5,5	7,5	13,4

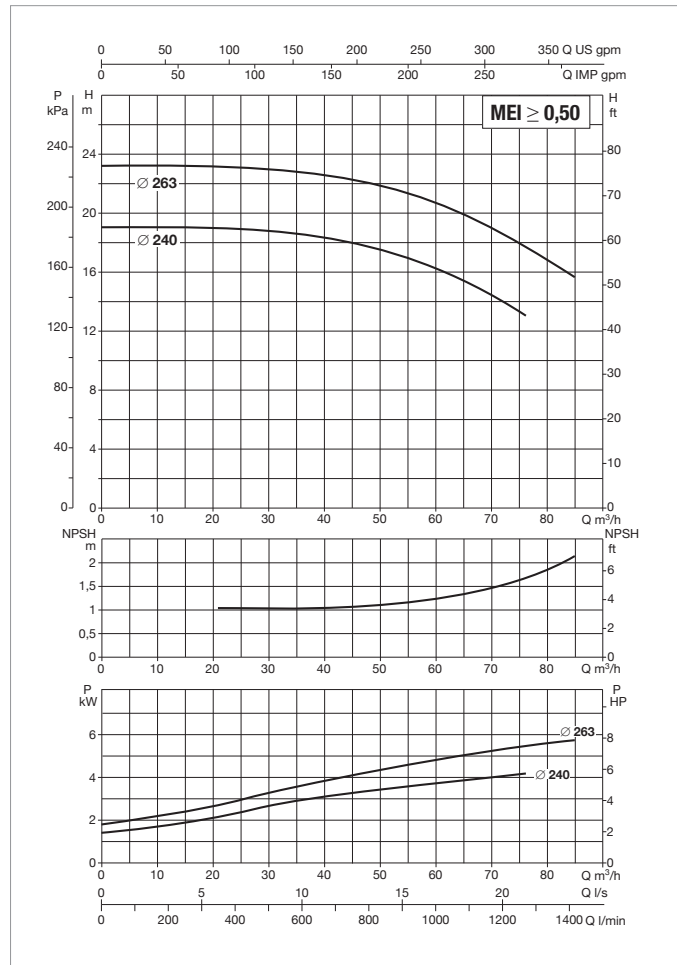
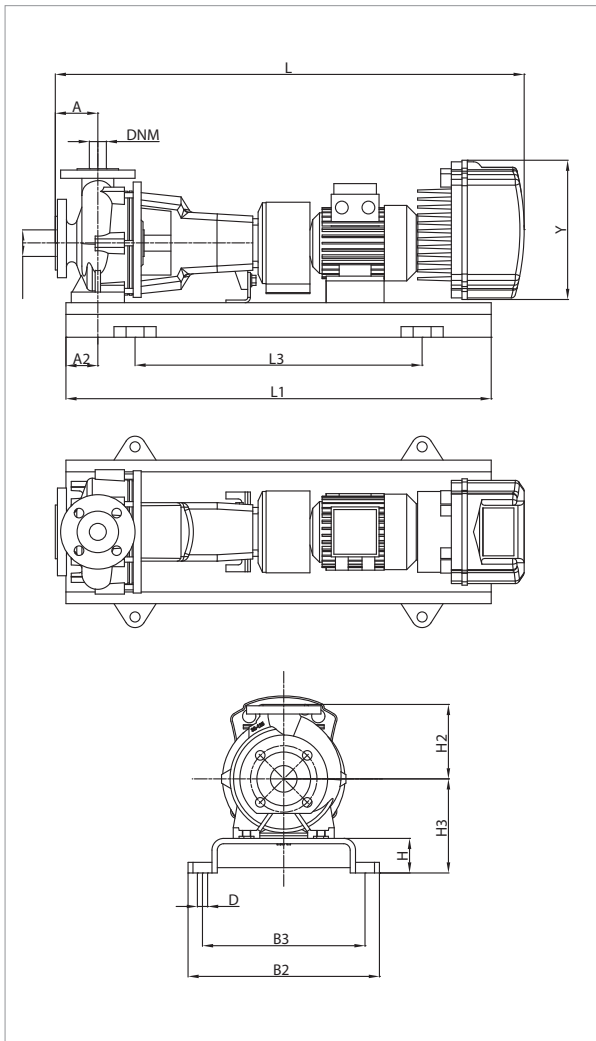
MODEL	A	A2	H2	H	H3	L1	L3	B2	B3	D	Y	FLANGE DIMENSIONS (mm)		STANDARD COUPLING		SPACER COUPLING	
												DNA	DNM	L	WEIGHT kg	L	WEIGHT kg
KDNE 65-200/180/A/BAQE/1/2,2/4 M MCE22/C	100	75	225	80	260	1120	740	490	440	24	262	80	65	1046	151	1146	156
KDNE 65-200/180/A/BAQE/1/2,2/4 T MCE30/C	100	75	225	80	260	1120	740	490	440	24	353	80	65	1113	153,6	1213	158,6
KDNE 65-200/190/A/BAQE/1/3/4 T MCE30/C	100	75	225	80	260	1120	740	490	440	24	353	80	65	1046	159	1146	164
KDNE65-200/219/A/BAQE/1/5,5/4 T MCE55/C	100	75	225	80	260	1120	740	490	440	24	353	80	65	1179	209	1279	214

# KDNE 65-250 - 4 POLES - STANDARDISED CENTRIFUGAL ELECTRIC PUMPS WITH INVERTER FOR CIRCULATION OR PRESSURISATION SYSTEMS

MCE-C

MCE-P

Pumped liquid temperature range: from -10 °C to +140 °C (MCE/C) - from -10 °C to +80 °C (MCE/P) - Maximum ambient temperature: +40 °C  
= 1450 1/min



See hydraulic efficiency details on page 241.

The performance curves are based on kinematic viscosity values = 1 mm²/s and density equal to 1000 kg/m³. Curve tolerance according to ISO 9906.

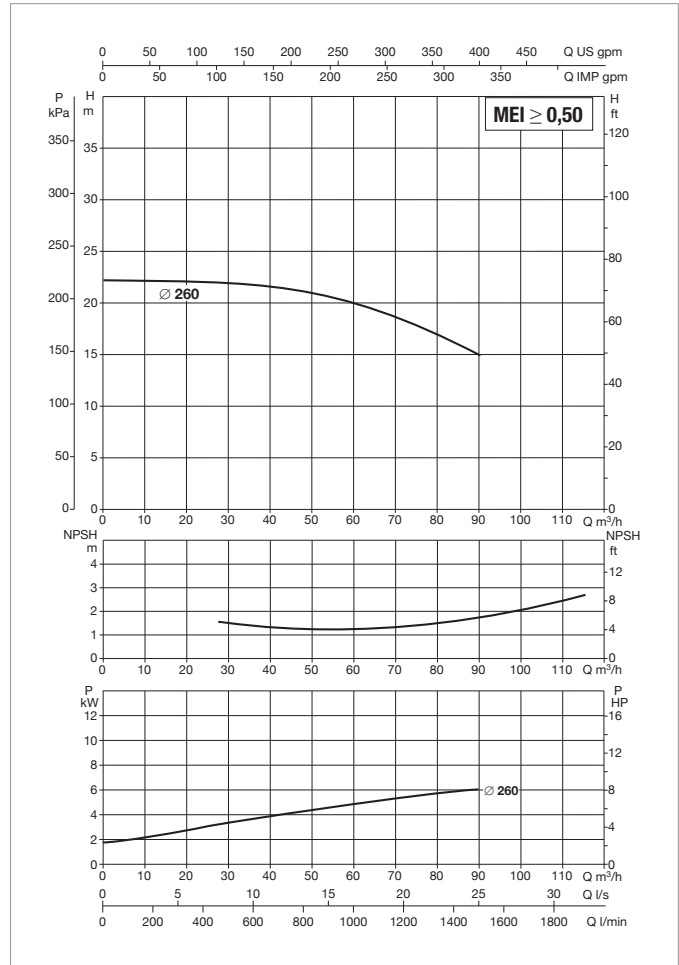
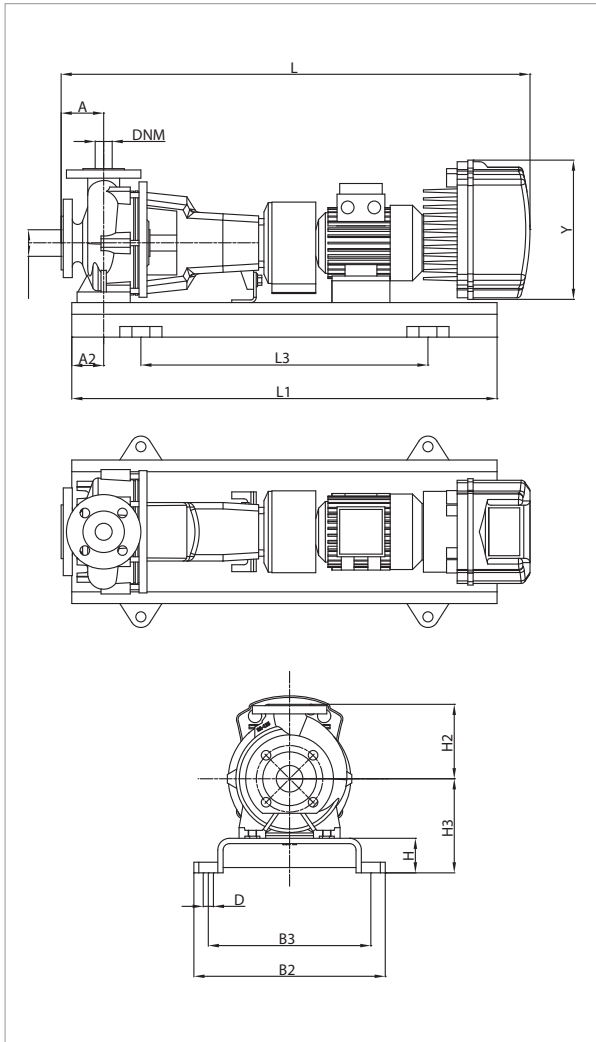
MODEL	MCE MODEL	POWER INPUT 50 Hz	P2 NOMINAL		In A
			kW	HP	
KDNE 65-250/240/A/BAQE/1/5,5/4 T MCE55/C-P	MCE55/C - MCE55/P	3 x 400 ~V	5,5	7,5	13,4
KDNE 65-250/263/A/BAQE/1/7,5/4 T MCE110/C-P	MCE110/C - MCE110/P	3 x 400 ~V	7,5	10	17,9

MODEL	A	A2	H2	H	H3	L1	L3	B2	B3	D	Y	FLANGE DIMENSIONS (mm)		STANDARD COUPLING		SPACER COUPLING	
												DNA	DNM	L	WEIGHT kg	L	WEIGHT kg
												KDNE 65-250/240/A/BAQE/1/5,5/4 T MCE55/C-P	100	90	250	80	280
KDNE 65-250/263/A/BAQE/1/7,5/4 T MCE110/C-P	100	90	250	80	280	1120	740	490	440	24	426	80	65	1339	270	1479	275

# KDNE 65-315 - 4 POLES - STANDARDISED CENTRIFUGAL ELECTRIC PUMPS WITH INVERTER FOR CIRCULATION OR PRESSURISATION SYSTEMS



Pumped liquid temperature range: from -10 °C to +140 °C (MCE/C) - from -10 °C to +80 °C (MCE/P) - Maximum ambient temperature: +40 °C = 1450 1/min



See hydraulic efficiency details on page 241.

The performance curves are based on kinematic viscosity values = 1 mm²/s and density equal to 1000 kg/m³. Curve tolerance according to ISO 9906.

MODEL	MCE MODEL	POWER INPUT 50 Hz	P2 NOMINAL		In A
			kW	HP	
KDNE 65-315/260/A/BAQE/1/7,5/4 T MCE110/C-P	MCE110/C - MCE110/P	3 x 400 ~V	7,5	10	17,9

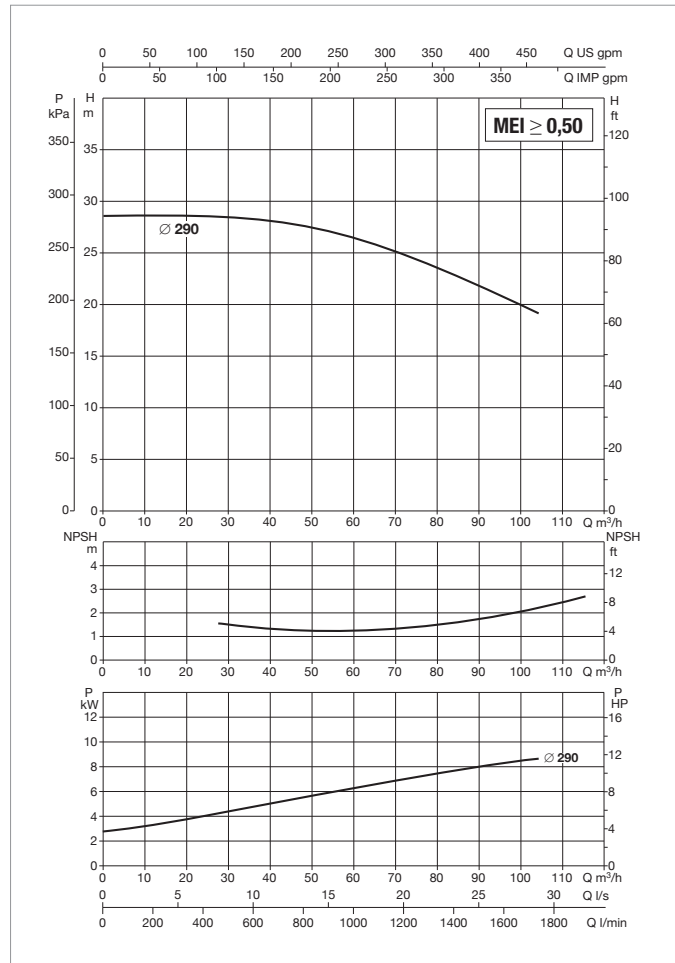
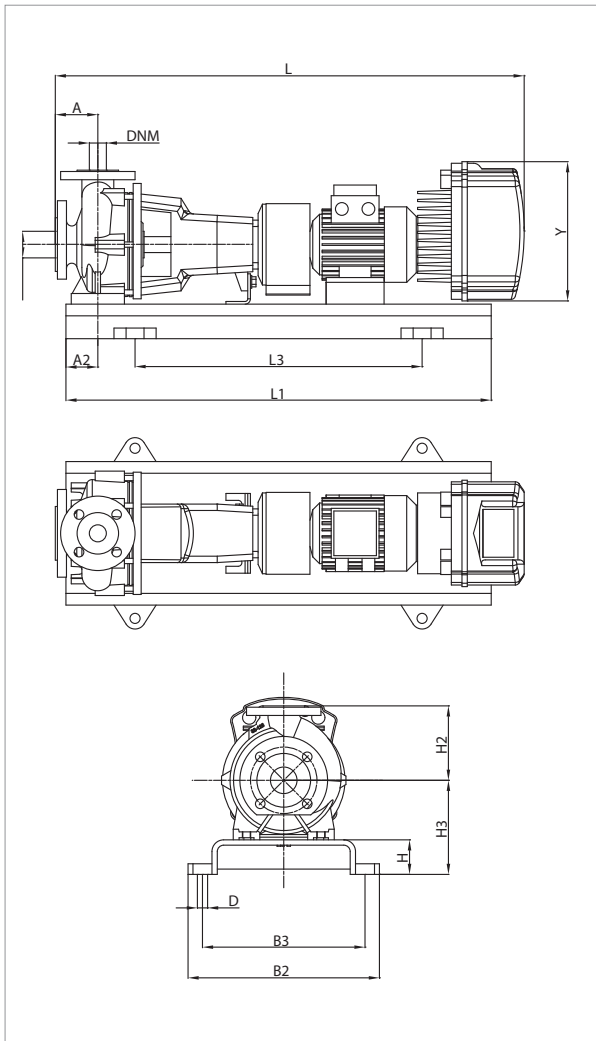
MODEL	A	A2	H2	H	H3	L1	L3	B2	B3	D	Y	FLANGE DIMENSIONS (mm)		STANDARD COUPLING		SPACER COUPLING	
												DNA	DNM	L	WEIGHT kg	L	WEIGHT kg
												KDNE 65-315/260/A/BAQE/1/7,5/4 T MCE110/C-P	125	90	280	80	305

# KDNE 65-315 - 4 POLES - STANDARDISED CENTRIFUGAL ELECTRIC PUMPS WITH INVERTER FOR CIRCULATION SYSTEMS



Pumped liquid temperature range: from -10 °C to +140 °C (MCE/C) - Maximum ambient temperature: +40 °C

= 1450 1/min



See hydraulic efficiency details on page 241.

The performance curves are based on kinematic viscosity values = 1 mm<sup>2</sup>/s and density equal to 1000 kg/m<sup>3</sup>. Curve tolerance according to ISO 9906.

MODEL	MCE MODEL	POWER INPUT 50 Hz	P2 NOMINAL		In A
			kW	HP	
KDNE 65-315/290/A/BAQE/1/11/4 T MCE110/C	MCE110/C	3 x 400 ~V	11	15	27,2

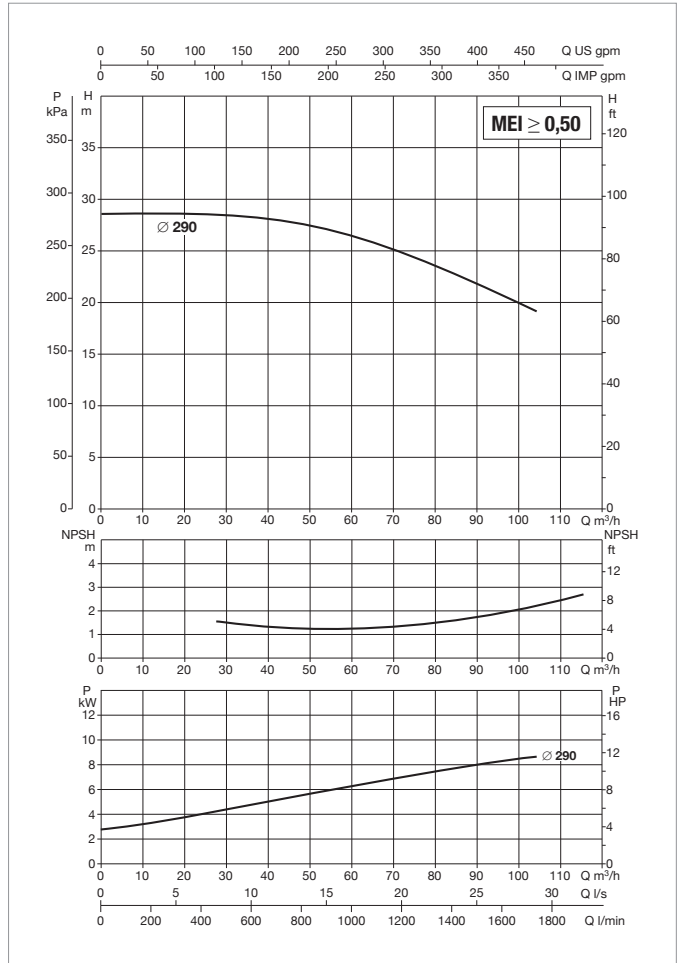
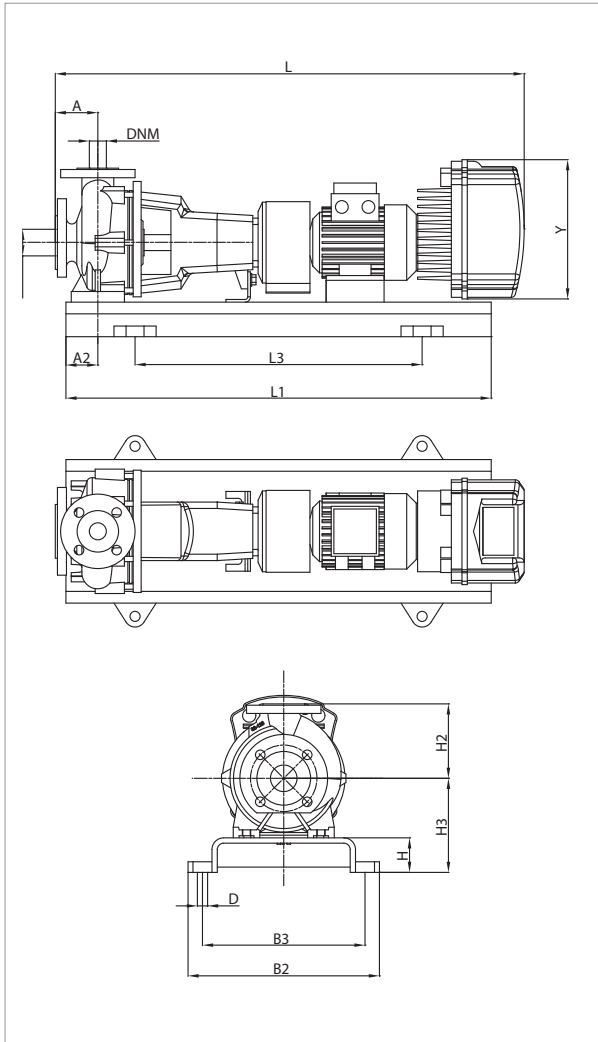
MODEL	A	A2	H2	H	H3	L1	L3	B2	B3	D	Y	FLANGE DIMENSIONS (mm)		STANDARD COUPLING		SPACER COUPLING	
												DNA	DNM	L	WEIGHT kg	L	WEIGHT kg
												KDNE 65-315/290/A/BAQE/1/11/4 T MCE110/C	125	90	280	80	305

# KDNE 65-315 - 4 POLES - STANDARDISED CENTRIFUGAL ELECTRIC PUMPS WITH INVERTER FOR PRESSURISATION SYSTEMS



Pumped liquid temperature range: from -10 °C to +80 °C (MCE/P) - Maximum ambient temperature: +40 °C

= 1450 1/min



See hydraulic efficiency details on page 241.

The performance curves are based on kinematic viscosity values = 1 mm<sup>2</sup>/s and density equal to 1000 kg/m<sup>3</sup>. Curve tolerance according to ISO 9906.

MODEL	MCE MODEL	POWER INPUT 50 Hz	P2 NOMINAL		In A
			kW	HP	
KDNE 65-315/290/A/BAQE/1/11/4 MCE150/P	MCE150/P	3 x 400 ~V	11	15	27,2

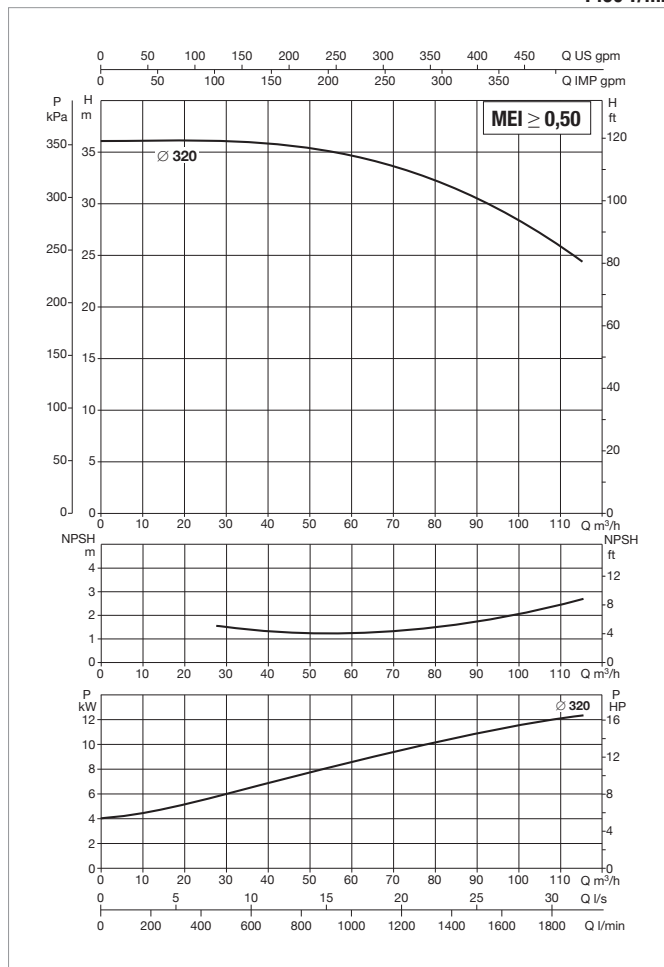
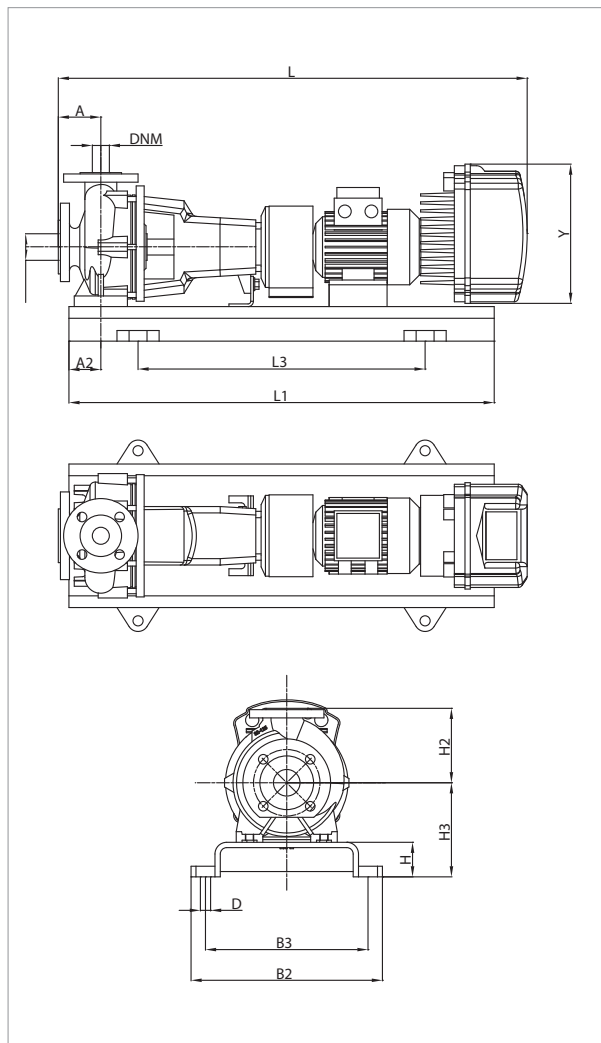
MODEL	A	A2	H2	H	H3	L1	L3	B2	B3	D	Y	FLANGE DIMENSIONS (mm)		STANDARD COUPLING		SPACER COUPLING	
												DNA	DNM	L	WEIGHT kg	L	WEIGHT kg
												KDNE 65-315/290/A/BAQE/1/11/4 MCE150/P	125	90	280	80	305

# KDNE 65-315 - 4 POLES - STANDARDISED CENTRIFUGAL ELECTRIC PUMPS WITH INVERTER FOR CIRCULATION OR PRESSURISATION SYSTEMS

MCE-C

MCE-P

Pumped liquid temperature range: from -10 °C to +140 °C (MCE/C) - from -10 °C to +80 °C (MCE/P) - Maximum ambient temperature: +40 °C  
= 1450 1/min



See hydraulic efficiency details on page 241.

The performance curves are based on kinematic viscosity values = 1 mm<sup>2</sup>/s and density equal to 1000 kg/m<sup>3</sup>. Curve tolerance according to ISO 9906.

MODEL	MCE MODEL	POWER INPUT 50 Hz	P2 NOMINAL		In A
			kW	HP	
KDNE 65-315/320/A/BAQE/1/15/4 T MCE150/C-P	MCE150/C - MCE150/P	3 x 400 ~V	15	20	36,5

MODEL	A	A2	H2	H	H3	L1	L3	B2	B3	D	Y	FLANGE DIMENSIONS (mm)		STANDARD COUPLING		SPACER COUPLING	
												DNA	DNM	L	WEIGHT kg	L	WEIGHT kg
												KDNE 65-315/320/A/BAQE/1/15/4 T MCE150/C-P	125	90	280	100	325

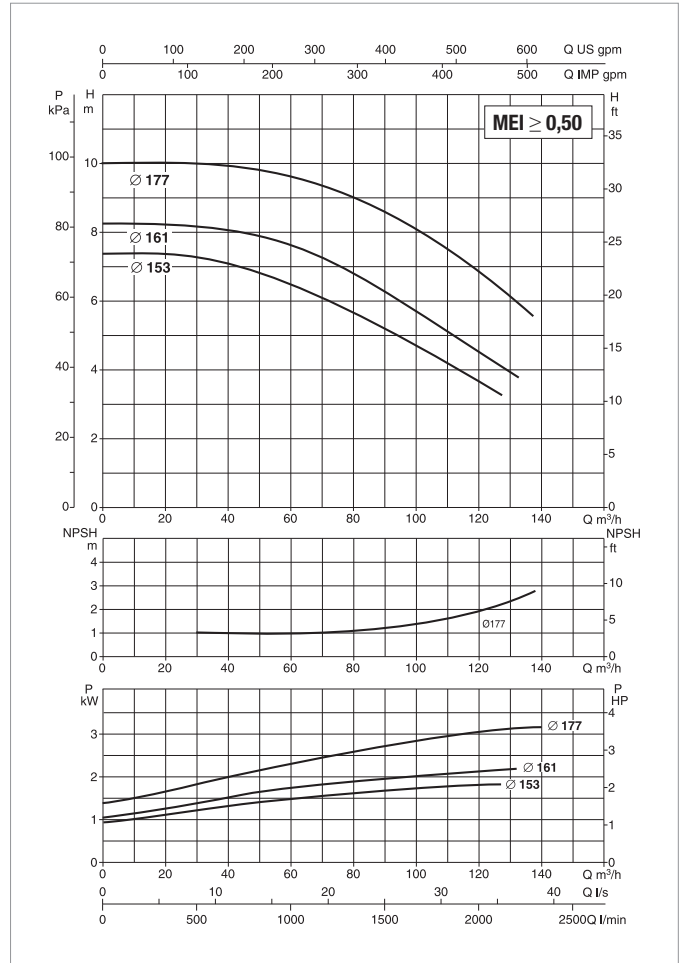
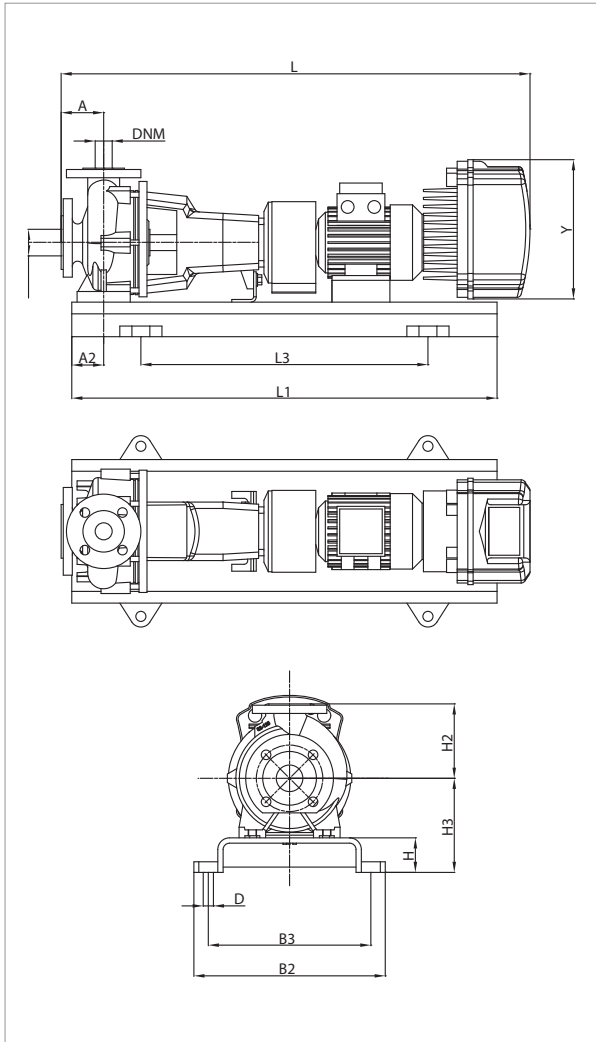


# KDNE 80-160 - 4 POLES - STANDARDISED CENTRIFUGAL ELECTRIC PUMPS WITH INVERTER FOR CIRCULATION SYSTEMS



Pumped liquid temperature range: from -10 °C to +140 °C (MCE/C) - Maximum ambient temperature: +40 °C

= 1450 1/min



See hydraulic efficiency details on page 241.

The performance curves are based on kinematic viscosity values = 1 mm<sup>2</sup>/s and density equal to 1000 kg/m<sup>3</sup>. Curve tolerance according to ISO 9906.

MODEL	MCE MODEL	POWER INPUT 50 Hz	P2 NOMINAL		In A
			kW	HP	
KDNE 80-160/153/A/BAQE/1/2,2/4 M MCE22/C	MCE22/C	1 x 230 ~V	2,2	3	19,7
KDNE 80-160/153/A/BAQE/1/2,2/4 T MCE30/C	MCE30/C	3 x 400 ~V	2,2	3	6,4
KDNE 80-160/161/A/BAQE/1/3/4 T MCE30/C	MCE30/C	3 x 400 ~V	3	4	7,9
KDNE 80-160/177/A/BAQE/1/4/4 T MCE55/C	MCE55/C	3 x 400 ~V	4	5,5	10,0

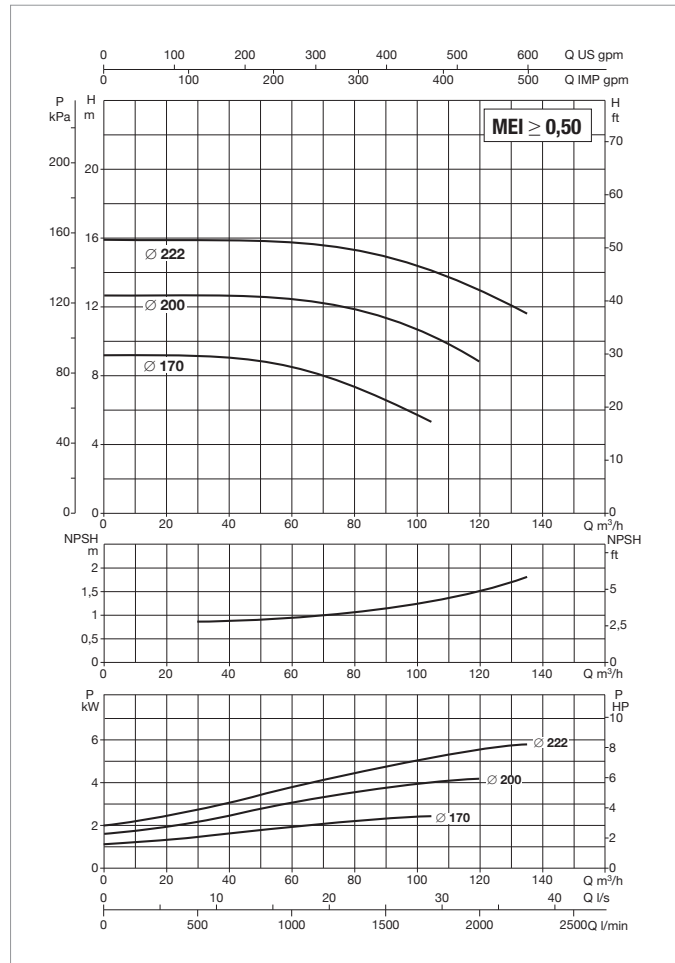
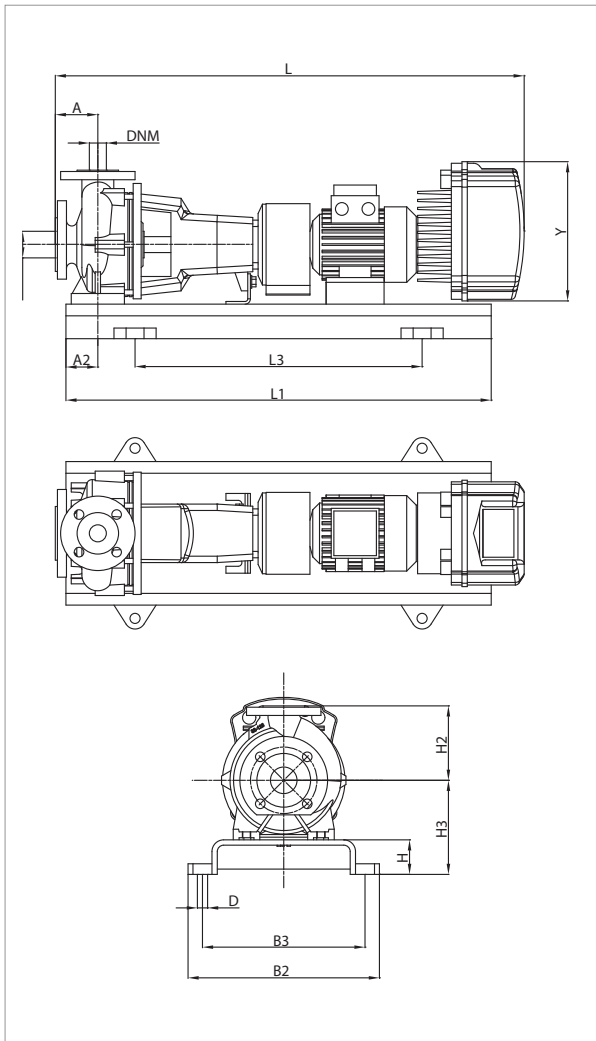
MODEL	A	A2	H2	H	H3	L1	L3	B2	B3	D	Y	FLANGE DIMENSIONS (mm)		STANDARD COUPLING		SPACER COUPLING	
												DNA	DNM	L	WEIGHT kg	L	WEIGHT kg
KDNE 80-160/153/A/BAQE/1/2,2/4 M MCE22/C	125	75	225	80	260	1000	660	450	400	24	262	100	80	1071	143	1171	148
KDNE 80-160/153/A/BAQE/1/2,2/4 T MCE30/C	125	75	225	80	260	1000	660	450	400	24	353	100	80	1138	145,6	1238	150,6
KDNE 80-160/161/A/BAQE/1/3/4 T MCE30/C	125	75	225	80	260	1000	660	450	400	24	353	100	80	1071	147	1171	152
KDNE 80-160/177/A/BAQE/1/4/4 T MCE55/C	125	75	225	80	260	1000	660	450	400	24	353	100	80	1094	147	1194	152

# KDNE 80-200 - 4 POLES - STANDARDISED CENTRIFUGAL ELECTRIC PUMPS WITH INVERTER FOR CIRCULATION SYSTEMS



Pumped liquid temperature range: from -10 °C to +140 °C (MCE/C) - Maximum ambient temperature: +40 °C

= 1450 1/min



See hydraulic efficiency details on page 241.  
The performance curves are based on kinematic viscosity values = 1 mm<sup>2</sup>/s and density equal to 1000 kg/m<sup>3</sup>. Curve tolerance according to ISO 9906.

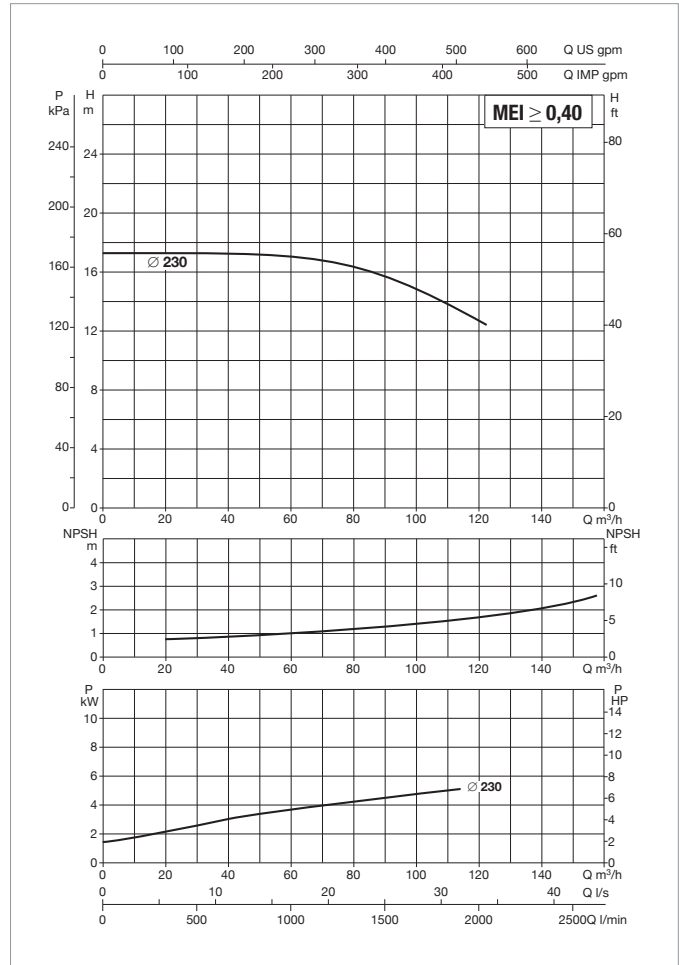
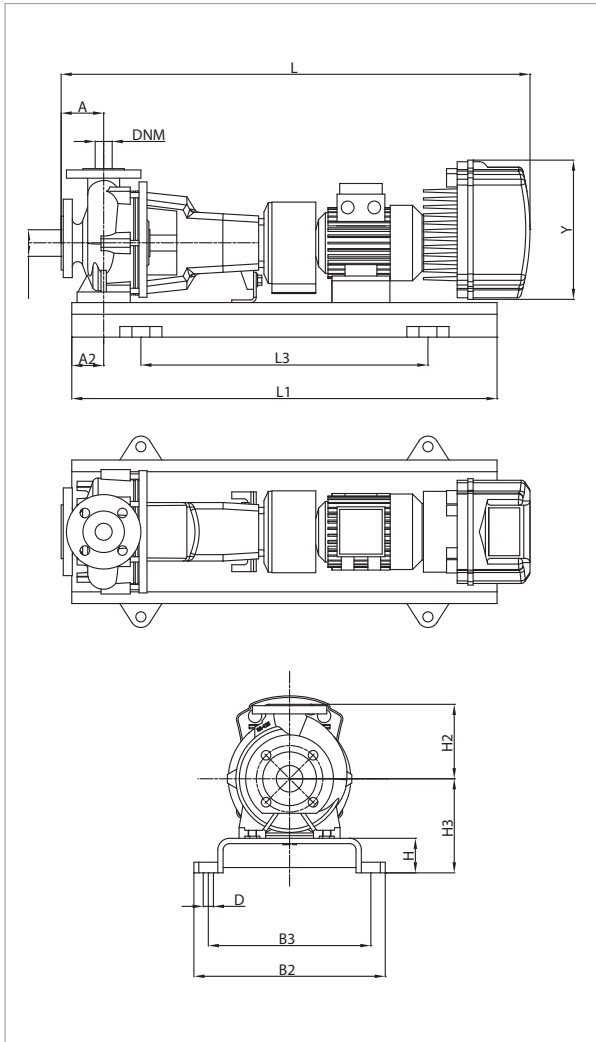
MODEL	MCE MODEL	POWER INPUT 50 Hz	P2 NOMINAL		In A
			kW	HP	
KDNE 80-200/170/A/BAQE/1/3/4 T MCE30/C	MCE30/C	3 x 400 ~V	3	4	7,9
KDNE 80-200/200/A/BAQE/1/5.5/4 T MCE55/C	MCE55/C	3 x 400 ~V	5,5	7,5	13,4
KDNE 80-200/222/A/BAQE/1/7.5/4 T MCE110/C	MCE110/C	3 x 400 ~V	7,5	10	17,9

MODEL	A	A2	H2	H	H3	L1	L3	B2	B3	D	Y	FLANGE DIMENSIONS (mm)		STANDARD COUPLING		SPACER COUPLING	
												DNA	DNM	L	WEIGHT kg	L	WEIGHT kg
KDNE 80-200/170/A/BAQE/1/3/4 T MCE30/C	125	75	250	80	260	1120	740	490	440	24	353	100	80	1181	177	1281	182
KDNE 80-200/200/A/BAQE/1/5.5/4 T MCE55/C	125	75	250	80	260	1120	740	490	440	24	353	100	80	1314	197	1414	202
KDNE 80-200/222/A/BAQE/1/7.5/4 T MCE110/C	125	75	250	80	260	1120	740	490	440	24	426	100	80	1364	201	1464	206

# KDNE 80-250 - 4 POLES - STANDARDISED CENTRIFUGAL ELECTRIC PUMPS WITH INVERTER FOR CIRCULATION OR PRESSURISATION SYSTEMS



Pumped liquid temperature range: from -10 °C to +140 °C (MCE/C) - from -10 °C to +80 °C (MCE/P) - Maximum ambient temperature: +40 °C = 1450 1/min



See hydraulic efficiency details on page 241.

The performance curves are based on kinematic viscosity values = 1 mm²/s and density equal to 1000 kg/m³. Curve tolerance according to ISO 9906.

MODEL	MCE MODEL	POWER INPUT 50 Hz	P2 NOMINAL		In A
			kW	HP	
KDNE 80-250/230/A/BAQE/1/7,5/4 T MCE110/C-P	MCE110/C - MCE110/P	3 x 400 ~V	7,5	10	17,9

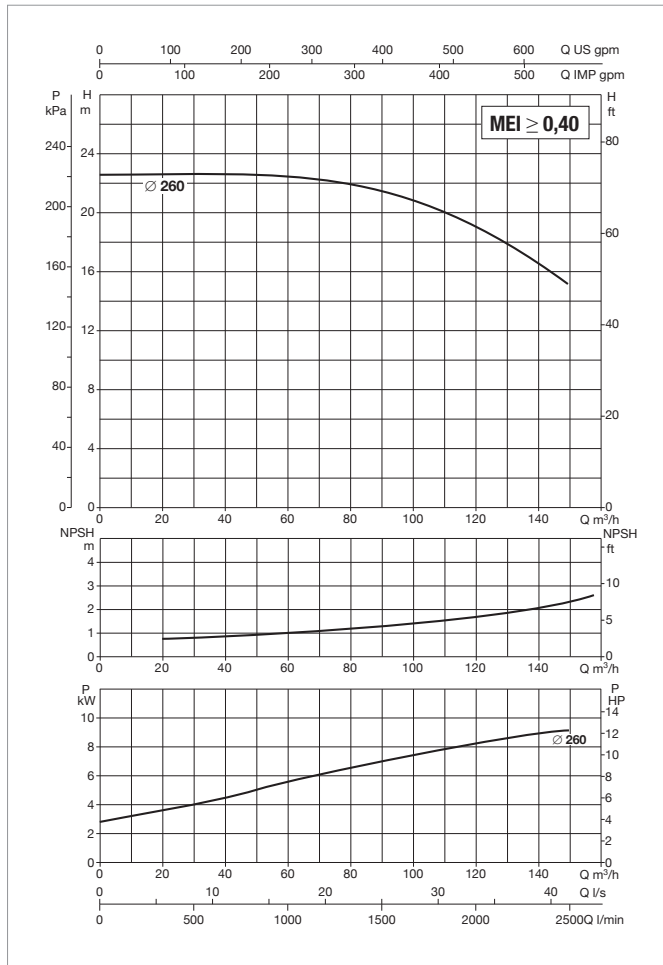
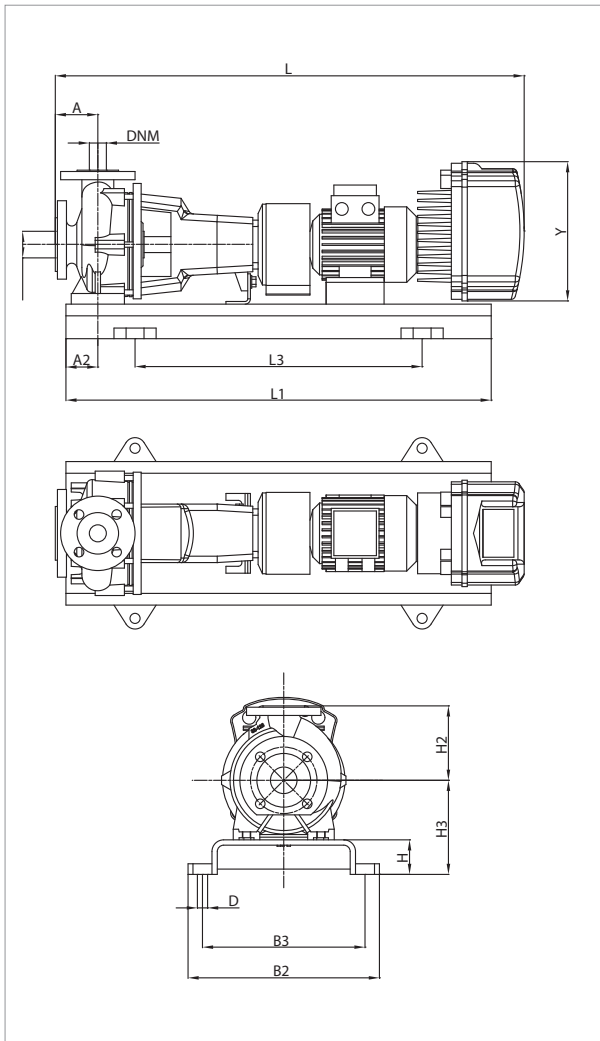
MODEL	A	A2	H2	H	H3	L1	L3	B2	B3	D	Y	FLANGE DIMENSIONS (mm)		STANDARD COUPLING		SPACER COUPLING	
												DNA	DNM	L	WEIGHT kg	L	WEIGHT kg
												KDNE 80-250/230/A/BAQE/1/7,5/4 T MCE110/C-P	125	90	280	80	280

# KDNE 80-250 - 4 POLES - STANDARDISED CENTRIFUGAL ELECTRIC PUMPS WITH INVERTER FOR CIRCULATION SYSTEMS



Pumped liquid temperature range: from -10 °C to +140 °C (MCE/C) - Maximum ambient temperature: +40 °C

= 1450 1/min



See hydraulic efficiency details on page 241.

The performance curves are based on kinematic viscosity values = 1 mm²/s and density equal to 1000 kg/m³. Curve tolerance according to ISO 9906.

MODEL	MCE MODEL	POWER INPUT 50 Hz	P2 NOMINAL		In A
			kW	HP	
KDNE 80-250/260/A/BAQE/1/11/4 T MCE110/C	MCE110/C	3 x 400 ~V	11	15	27,2

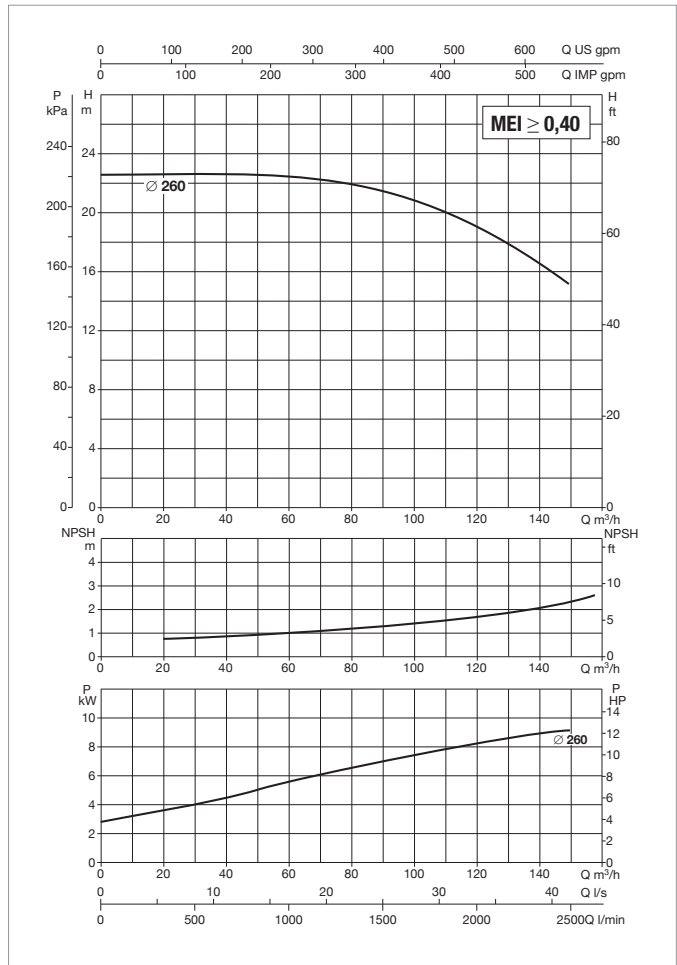
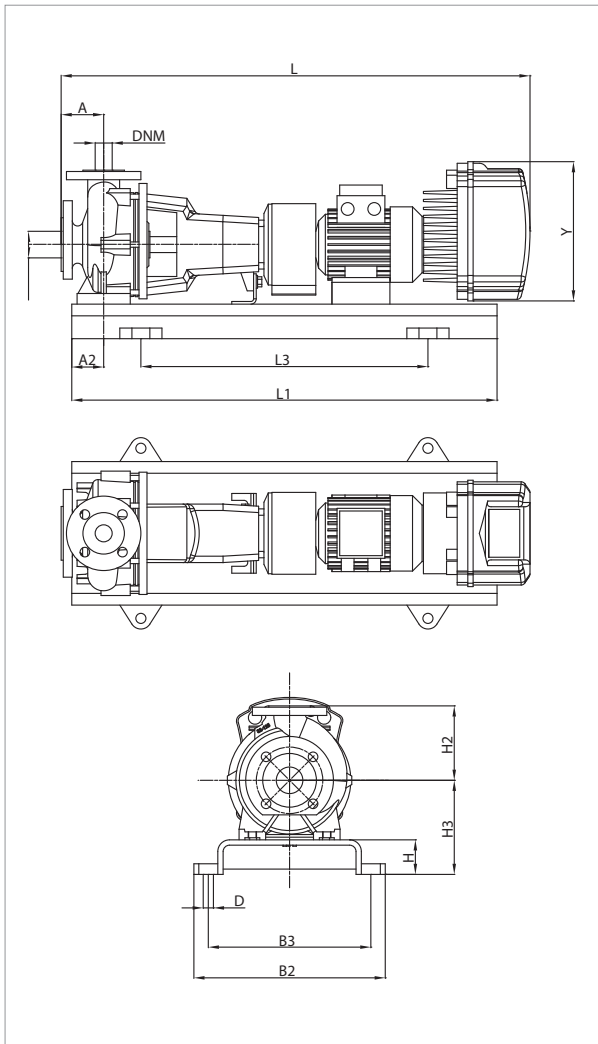
MODEL	A	A2	H2	H	H3	L1	L3	B2	B3	D	Y	FLANGE DIMENSIONS (mm)		STANDARD COUPLING		SPACER COUPLING	
												DNA	DNM	L	WEIGHT kg	L	WEIGHT kg
												KDNE 80-250/260/A/BAQE/1/11/4 T MCE110/C	125	90	280	80	280

# KDNE 80-250 - 4 POLES - STANDARDISED CENTRIFUGAL ELECTRIC PUMPS WITH INVERTER FOR PRESSURISATION SYSTEMS



Pumped liquid temperature range: from -10 °C to +80 °C (MCE/P) - Maximum ambient temperature: +40 °C

= 1450 1/min



See hydraulic efficiency details on page 241.

The performance curves are based on kinematic viscosity values = 1 mm²/s and density equal to 1000 kg/m³. Curve tolerance according to ISO 9906.

MODEL	MCE MODEL	POWER INPUT 50 Hz	P2 NOMINAL		In A
			kW	HP	
KDNE 80-250/260/A/BAQE/1/11/4 MCE150/P	MCE150/P	3 x 400 ~V	11	15	27,2

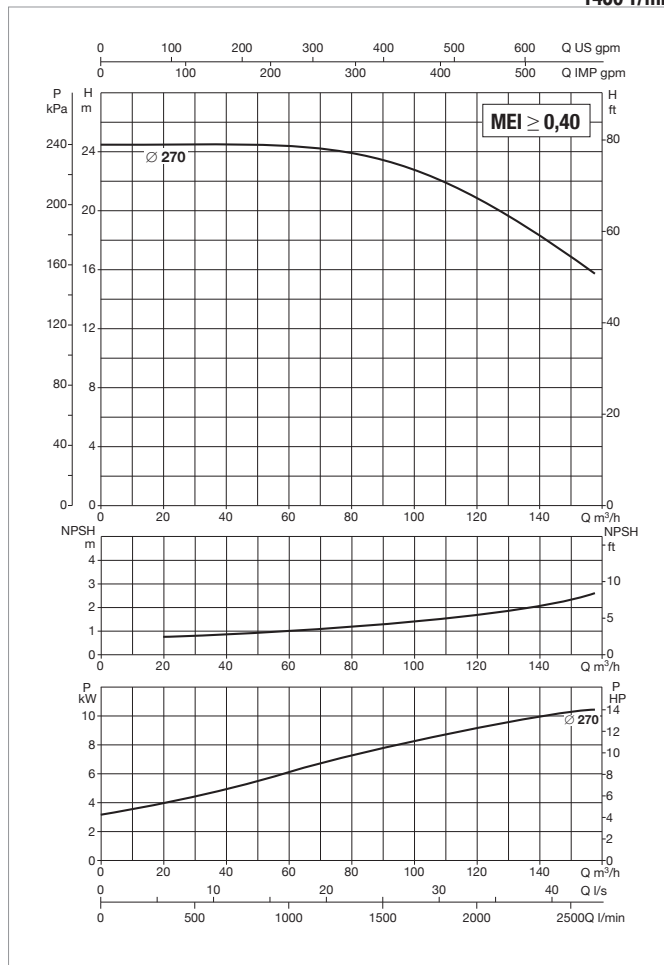
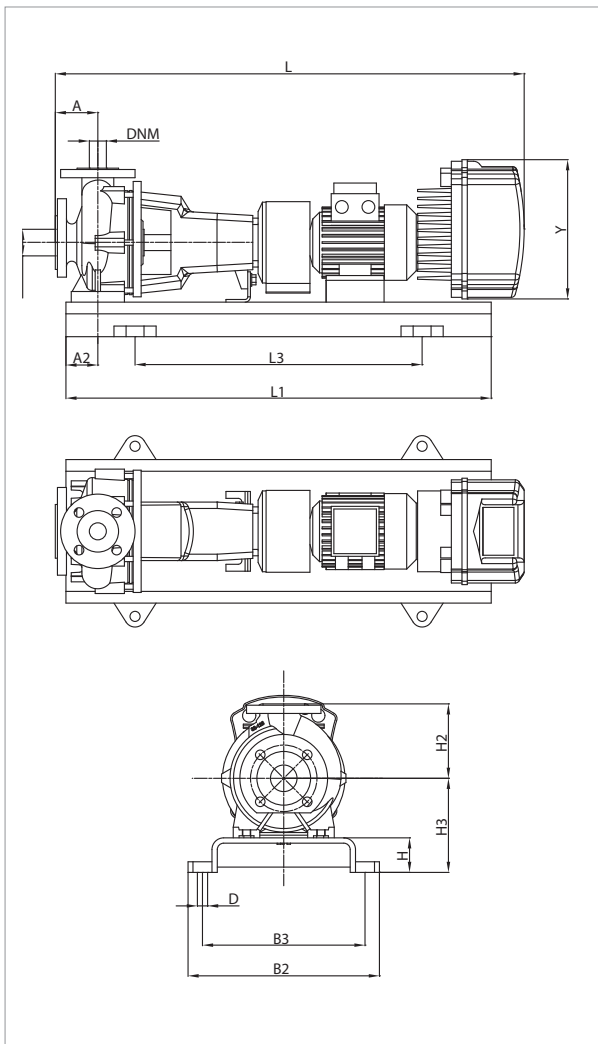
MODEL	A	A2	H2	H	H3	L1	L3	B2	B3	D	Y	FLANGE DIMENSIONS (mm)		STANDARD COUPLING		SPACER COUPLING	
												DNA	DNM	L	WEIGHT kg	L	WEIGHT kg
KDNE 80-250/260/A/BAQE/1/11/4 MCE150/P	125	90	280	80	280	1250	840	540	490	24	426	100	80	1519	271	1659	276

# KDNE 80-250 - 4 POLES - STANDARDISED CENTRIFUGAL ELECTRIC PUMPS WITH INVERTER FOR CIRCULATION OR PRESSURISATION SYSTEMS

MCE-C

MCE-P

Pumped liquid temperature range: from -10 °C to +140 °C (MCE/C) - from -10 °C to +80 °C (MCE/P) - Maximum ambient temperature: +40 °C  
= 1450 1/min



See hydraulic efficiency details on page 241.

The performance curves are based on kinematic viscosity values = 1 mm²/s and density equal to 1000 kg/m³. Curve tolerance according to ISO 9906.

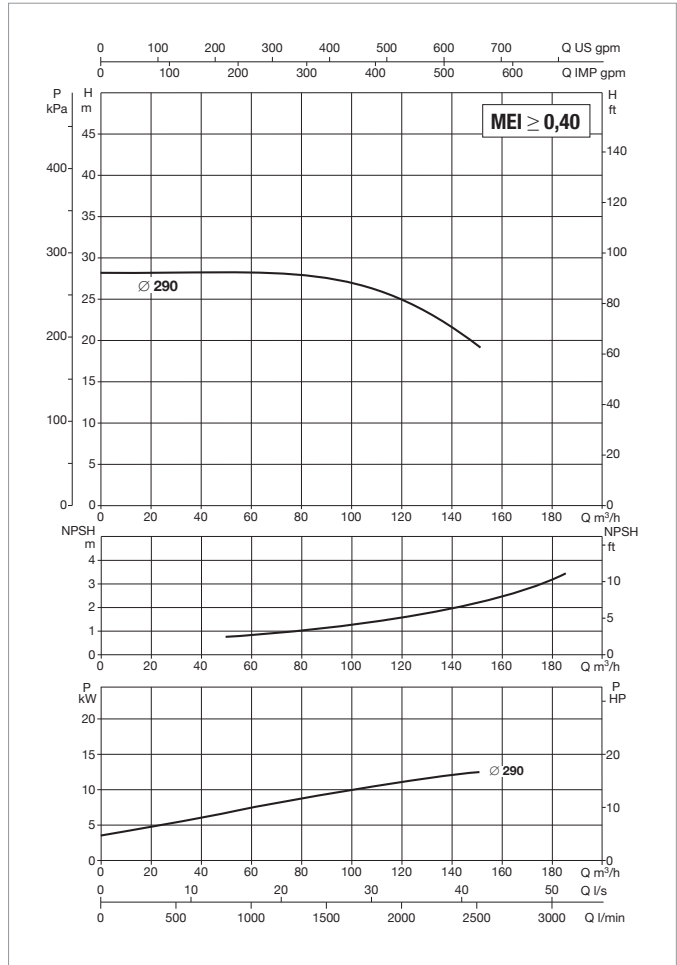
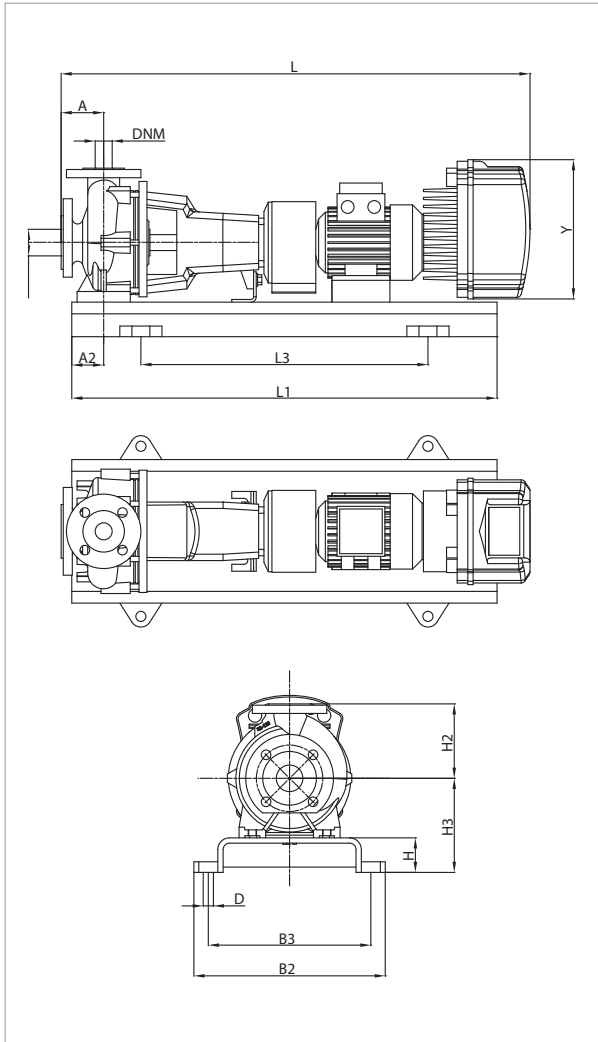
MODEL	MCE MODEL	POWER INPUT 50 Hz	P2 NOMINAL		In A
			kW	HP	
KDNE 80-250/270/A/BAQE/1/15/4 T MCE150/C-P	MCE150/C - MCE150/P	3 x 400 ~V	15	20	36,5

MODEL	A	A2	H2	H	H3	L1	L3	B2	B3	D	Y	FLANGE DIMENSIONS (mm)		STANDARD COUPLING		SPACER COUPLING	
												DNA	DNM	L	WEIGHT kg	L	WEIGHT kg
KDNE 80-250/270/A/BAQE/1/15/4 T MCE150/C-P	125	90	280	80	280	1250	840	540	490	24	426	100	80	1519	290	1659	295

# KDNE 80-315 - 4 POLES - STANDARDISED CENTRIFUGAL ELECTRIC PUMPS WITH INVERTER FOR CIRCULATION OR PRESSURIZATION SYSTEMS



Pumped liquid temperature range: from -10 °C to +140 °C (MCE/C) - from -10 °C to +80 °C (MCE/P) - Maximum ambient temperature: +40 °C = 1450 1/min



See hydraulic efficiency details on page 241.

The performance curves are based on kinematic viscosity values = 1 mm<sup>2</sup>/s and density equal to 1000 kg/m<sup>3</sup>. Curve tolerance according to ISO 9906.

MODEL	MCE MODEL	POWER INPUT 50 Hz	P2 NOMINAL		In A
			kW	HP	
KDNE 80-315/290/A/BAQE/1/15/4 T MCE150/C-P	MCE150/C - MCE150/P	3 x 400 ~V	15	20	36,5

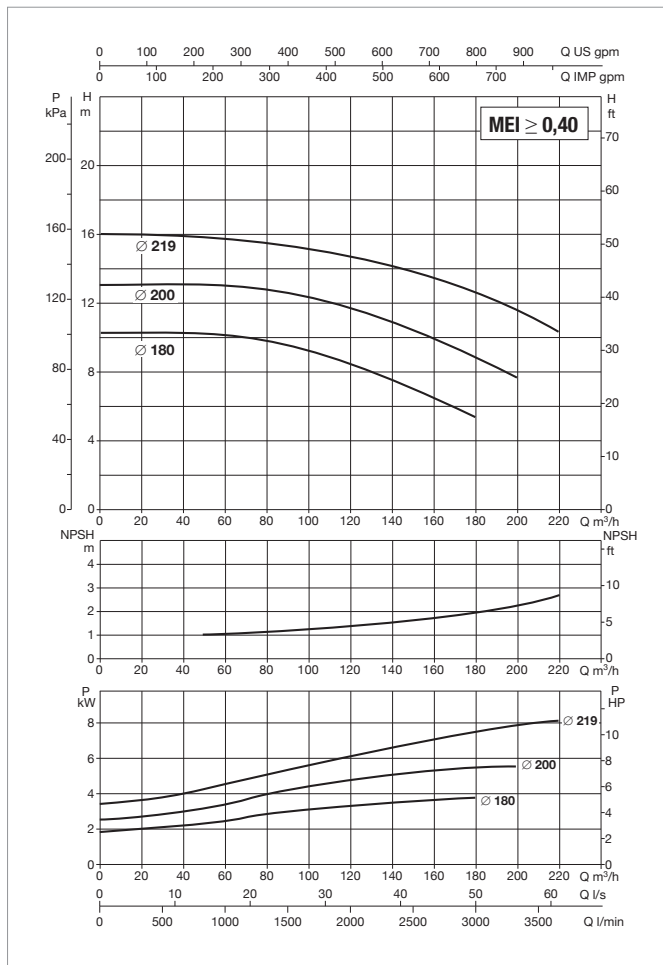
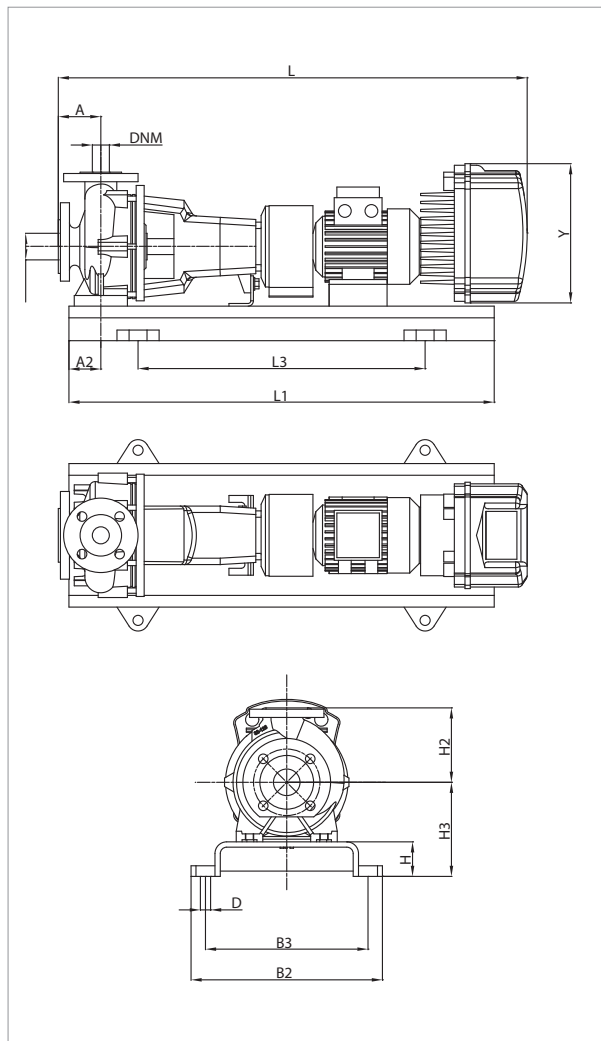
MODEL	A	A2	H2	H	H3	L1	L3	B2	B3	D	Y	FLANGE DIMENSIONS (mm)		STANDARD COUPLING		SPACER COUPLING	
												DNA	DNM	L	WEIGHT kg	L	WEIGHT kg
												KDNE 80-315/290/A/BAQE/1/15/4 T MCE150/C-P	125	90	315	100	350

# KDNE 100-200 - 4 POLES - STANDARDISED CENTRIFUGAL ELECTRIC PUMPS WITH INVERTER FOR CIRCULATION SYSTEMS



Pumped liquid temperature range: from -10 °C to +140 °C (MCE/C) - Maximum ambient temperature: +40 °C

= 1450 1/min



See hydraulic efficiency details on page 241.

The performance curves are based on kinematic viscosity values = 1 mm<sup>2</sup>/s and density equal to 1000 kg/m<sup>3</sup>. Curve tolerance according to ISO 9906.

MODEL	MCE MODEL	POWER INPUT 50 Hz	P2 NOMINAL		In A
			kW	HP	
KDNE 100-200/180/A/BAQE/1/5.5/4 T MCE55/C	MCE55/C	3 x 400 ~V	5,5	7,5	13,4
KDNE 100-200/200/A/BAQE/1/7.5/4 T MCE110/C	MCE110/C	3 x 400 ~V	7,5	10	17,9
KDNE 100-200/219/A/BAQE/1/11/4 T MCE110/C	MCE110/C	3 x 400 ~V	11	15	27,2

MODEL	A	A2	H2	H	H3	L1	L3	B2	B3	D	Y	FLANGE DIMENSIONS (mm)		STANDARD COUPLING		SPACER COUPLING	
												DNA	DNM	L	WEIGHT kg	L	WEIGHT kg
												KDNE 100-200/180/A/BAQE/1/5.5/4 T MCE55/C	125	90	280	80	280
KDNE 100-200/200/A/BAQE/1/7.5/4 T MCE110/C	125	90	280	80	280	1120	740	490	440	24	426	125	100	1364	222	1504	227
KDNE 100-200/219/A/BAQE/1/11/4 T MCE110/C	125	90	280	80	280	1250	840	540	490	24	426	125	100	1474	320	1614	325

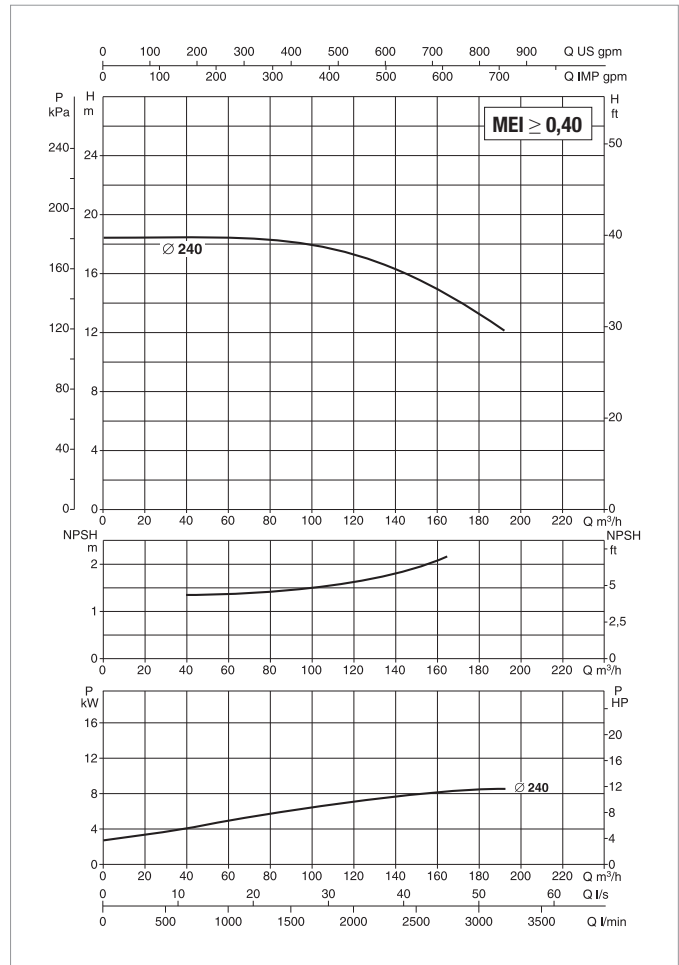
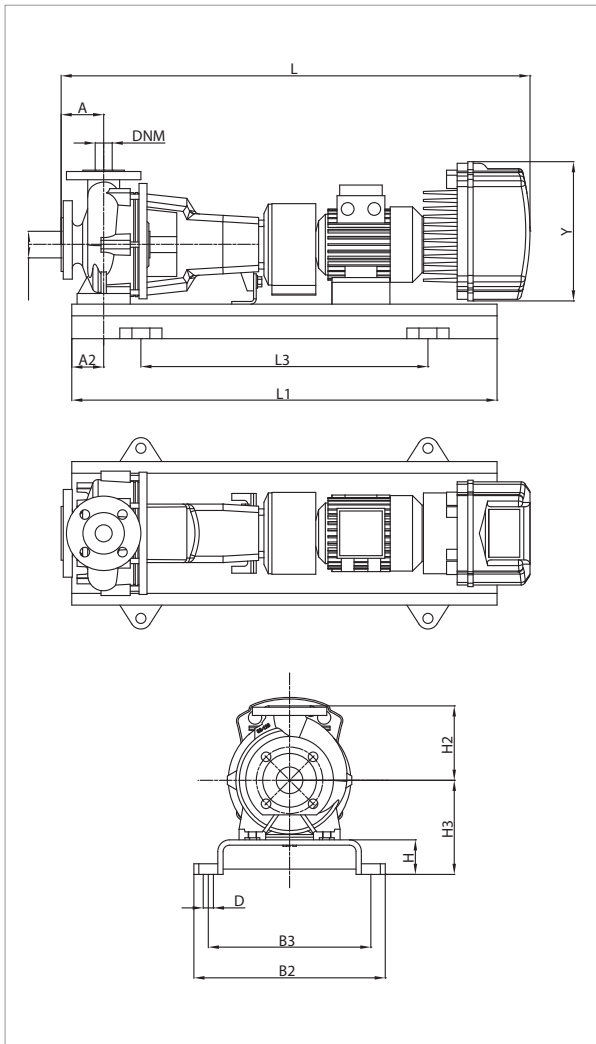


# KDNE 100-250 - 4 POLES - STANDARDISED CENTRIFUGAL ELECTRIC PUMPS WITH INVERTER FOR CIRCULATION SYSTEMS



Pumped liquid temperature range: from -10 °C to +140 °C (MCE/C) - Maximum ambient temperature: +40 °C

= 1450 1/min



See hydraulic efficiency details on page 241.

The performance curves are based on kinematic viscosity values = 1 mm²/s and density equal to 1000 kg/m³. Curve tolerance according to ISO 9906.

MODEL	MCE MODEL	POWER INPUT 50 Hz	P2 NOMINAL		In A
			kW	HP	
KDNE 100-250/240/A/BAQE/1/11/4 T MCE110/C	MCE110/C	3 x 400 ~V	11	15	27,2

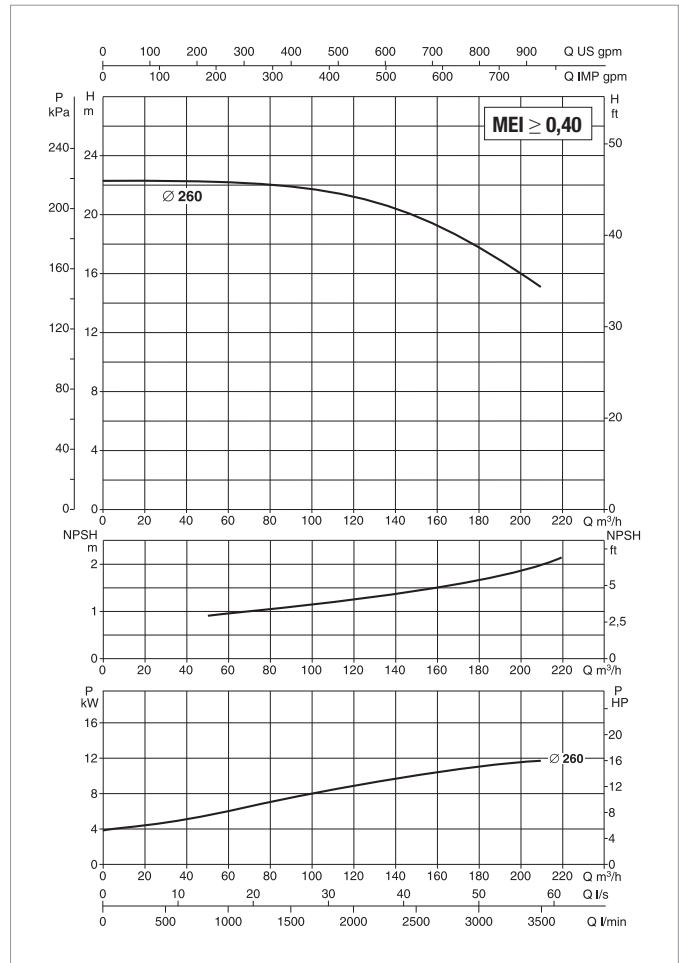
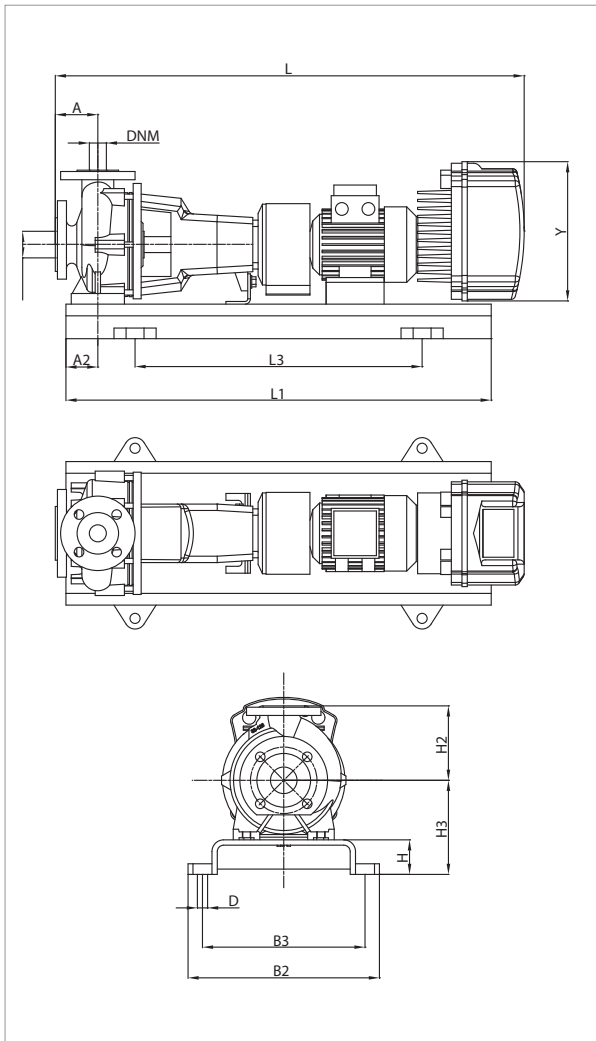
MODEL	A	A2	H2	H	H3	L1	L3	B2	B3	D	Y	FLANGE DIMENSIONS (mm)		STANDARD COUPLING		SPACER COUPLING	
												DNA	DNM	L	WEIGHT kg	L	WEIGHT kg
												KDNE 100-250/240/A/BAQE/1/11/4 T MCE110/C	140	90	280	80	305

# KDNE 100-250 - 4 POLES - STANDARDISED CENTRIFUGAL ELECTRIC PUMPS WITH INVERTER FOR CIRCULATION OR PRESSURISATION SYSTEMS

MCE-C

MCE-P

Pumped liquid temperature range: from -10 °C to +140 °C (MCE/C) - from -10 °C to +80 °C (MCE/P) - Maximum ambient temperature: +40 °C  
= 1450 1/min



See hydraulic efficiency details on page 241.

The performance curves are based on kinematic viscosity values = 1 mm<sup>2</sup>/s and density equal to 1000 kg/m<sup>3</sup>. Curve tolerance according to ISO 9906.

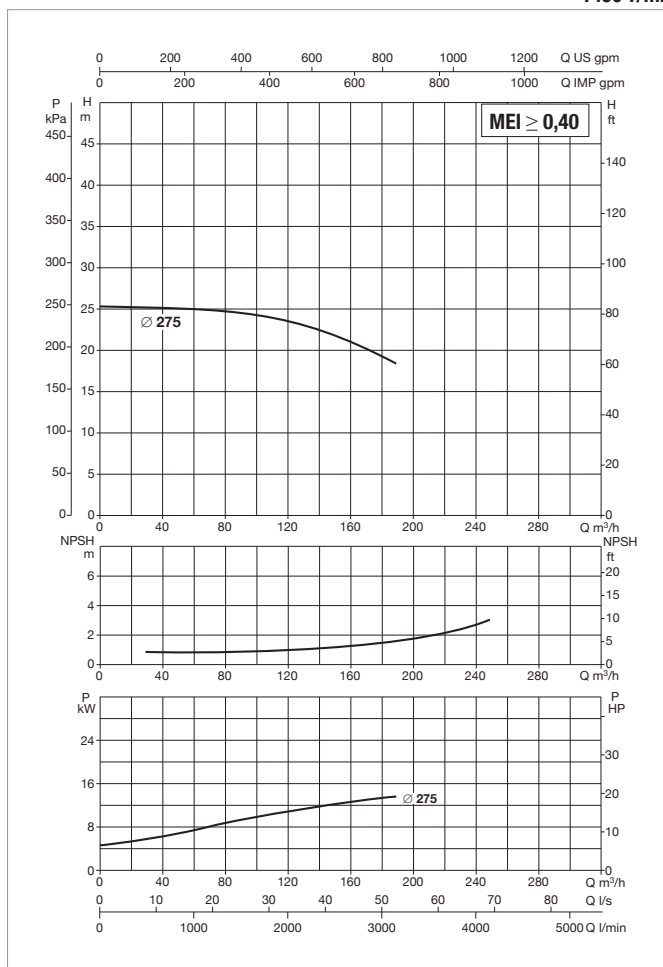
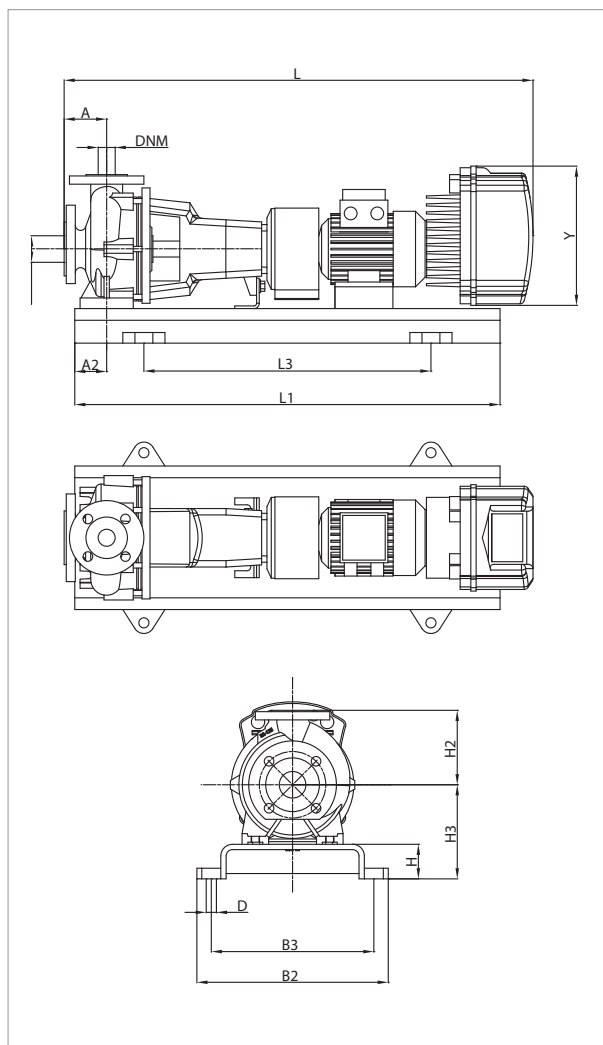
MODEL	MCE MODEL	POWER INPUT 50 Hz	P2 NOMINAL		In A
			kW	HP	
KDNE 100-250/260/A/BAQE/1/15/4 T MCE150/C-P	MCE150/C - MCE150/P	3 x 400 ~V	15	20	36,5

MODEL	A	A2	H2	H	H3	L1	L3	B2	B3	D	Y	FLANGE DIMENSIONS (mm)		STANDARD COUPLING		SPACER COUPLING	
												DNA	DNM	L	WEIGHT kg	L	WEIGHT kg
												KDNE 100-250/260/A/BAQE/1/15/4 T MCE150/C-P	140	90	280	100	325

# KDNE 100-315 - 4 POLES - STANDARDISED CENTRIFUGAL ELECTRIC PUMPS WITH INVERTER FOR CIRCULATION OR PRESSURISATION SYSTEMS



Pumped liquid temperature range: from -10 °C to +140 °C (MCE/C) - from -10 °C to +80 °C (MCE/P) - Maximum ambient temperature: +40 °C = 1450 1/min



See hydraulic efficiency details on page 241.

The performance curves are based on kinematic viscosity values = 1 mm²/s and density equal to 1000 kg/m³. Curve tolerance according to ISO 9906.

MODEL	MCE MODEL	POWER INPUT 50 Hz	P2 NOMINAL		In A
			kW	HP	
KDNE 100-315/275/A/BAQE/1/15/4 T MCE150/C-P	MCE150/C - MCE150/P	3 x 400 ~V	15	20	36,5

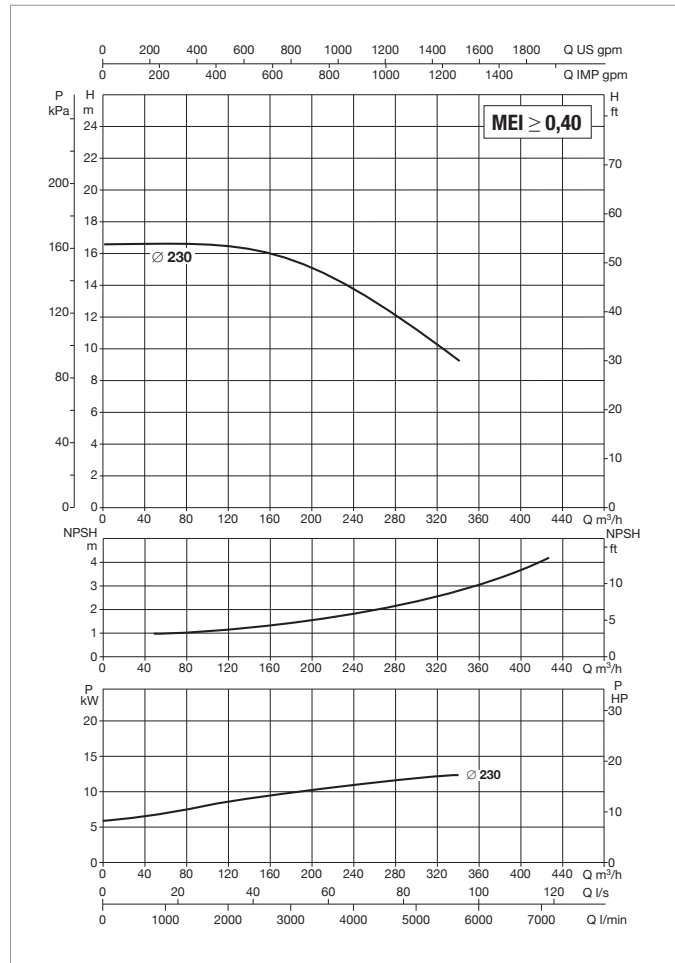
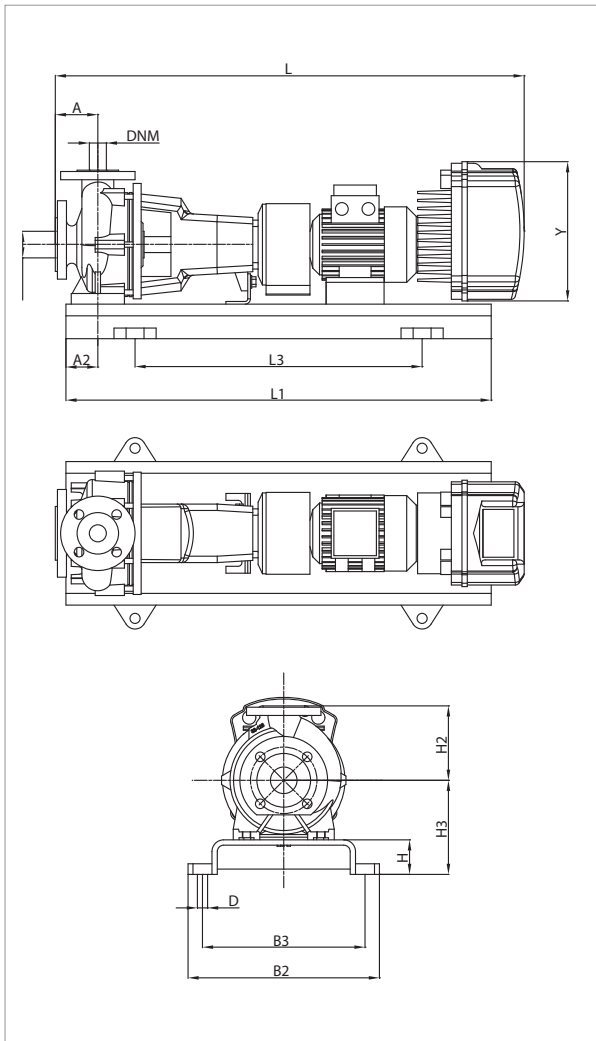
MODEL	A	A2	H2	H	H3	L1	L3	B2	B3	D	Y	FLANGE DIMENSIONS (mm)		STANDARD COUPLING		SPACER COUPLING	
												DNA	DNM	L	WEIGHT kg	L	WEIGHT kg
												KDNE 100-315/275/A/BAQE/1/15/4 T MCE150/C-P	140	90	315	100	350

# KDNE 125-250 - 4 POLES - STANDARDISED CENTRIFUGAL ELECTRIC PUMPS WITH INVERTER FOR CIRCULATION SYSTEMS



Pumped liquid temperature range: from -10 °C to +140 °C (MCE/C) - Maximum ambient temperature: +40 °C

= 1450 1/min



See hydraulic efficiency details on page 241.

The performance curves are based on kinematic viscosity values = 1 mm²/s and density equal to 1000 kg/m³. Curve tolerance according to ISO 9906.

MODEL	MCE MODEL	POWER INPUT 50 Hz	P2 NOMINAL		In A
			kW	HP	
KDNE 125-250/230/A/BAQE/1/15/4 T MCE150/C	MCE150/C	3 x 400 ~V	15	20	36,5

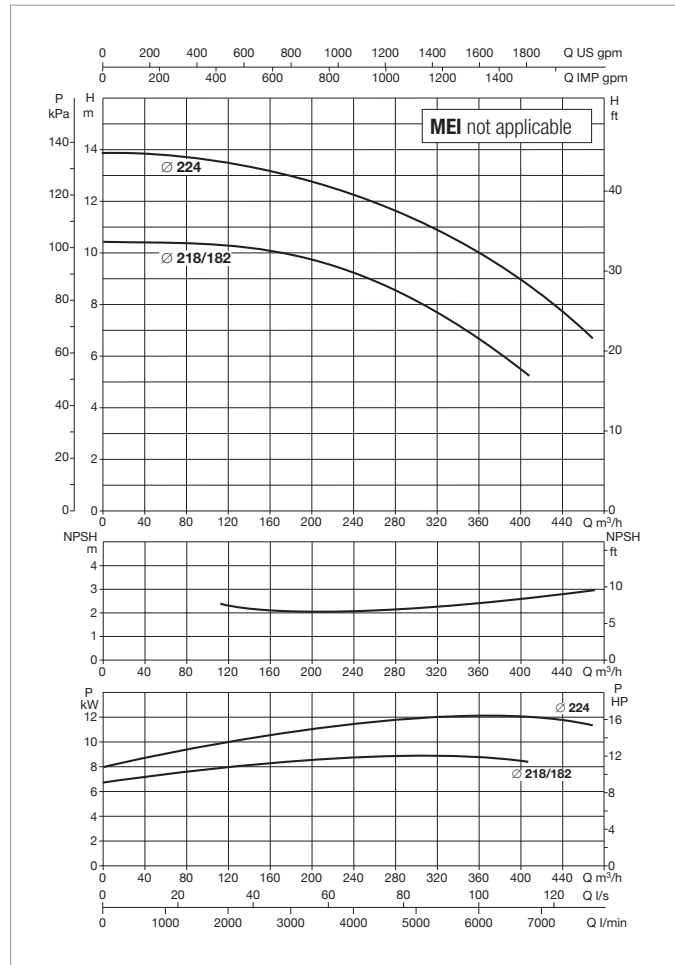
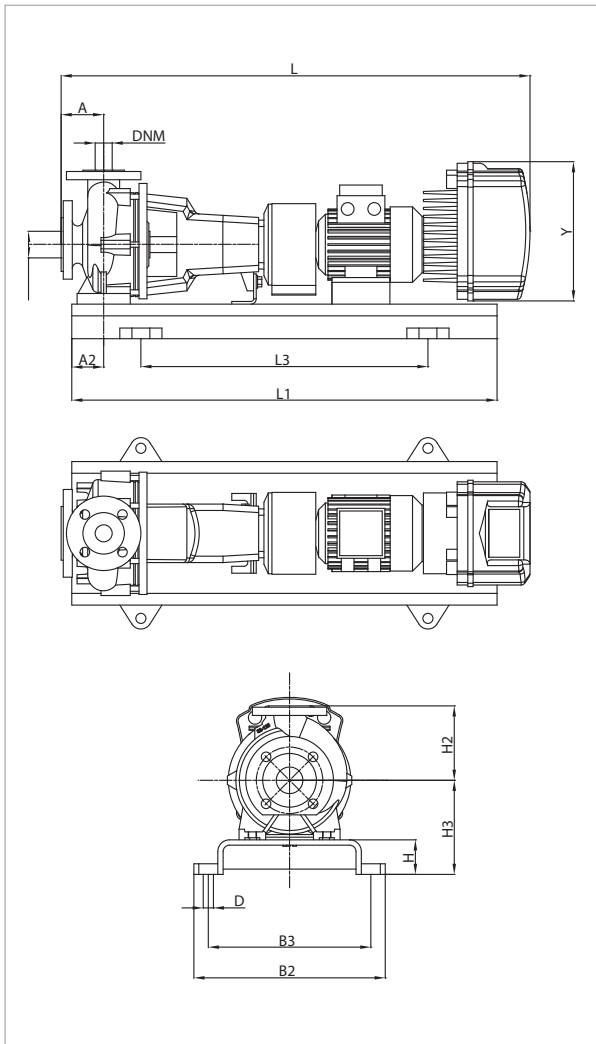
MODEL	A	A2	H2	H	H3	L1	L3	B2	B3	D	Y	FLANGE DIMENSIONS (mm)		STANDARD COUPLING		SPACER COUPLING	
												DNA	DNM	L	WEIGHT kg	L	WEIGHT kg
KDNE 125-250/230/A/BAQE/1/15/4 T MCE150/C	140	90	355	100	350	1400	940	610	550	28	426	150	125	1534	429	1674	434

# KDNE 150-200 - 4 POLES - STANDARDISED CENTRIFUGAL ELECTRIC PUMPS WITH INVERTER FOR CIRCULATION SYSTEMS



Pumped liquid temperature range: from -10 °C to +140 °C (MCE/C) - Maximum ambient temperature: +40 °C

= 1450 1/min



See hydraulic efficiency details on page 241.

The performance curves are based on kinematic viscosity values = 1 mm<sup>2</sup>/s and density equal to 1000 kg/m<sup>3</sup>. Curve tolerance according to ISO 9906.

MODEL	MCE MODEL	POWER INPUT 50 Hz	P2 NOMINAL		In A
			kW	HP	
KDNE 150-200/218-182/A/BAQE/1/11/4 T MCE110/C	MCE110/C	3 x 400 ~V	11	15	27,2
KDNE 150-200/224/A/BAQE/1/15/4 T MCE150/C	MCE150/C	3 x 400 ~V	15	20	36,5

MODEL	A	A2	H2	H	H3	L1	L3	B2	B3	D	Y	FLANGE DIMENSIONS (mm)		STANDARD COUPLING		SPACER COUPLING	
												DNA	DNM	L	WEIGHT kg	L	WEIGHT kg
												KDNE 150-200/218-182/A/BAQE/1/11/4 T MCE110/C	160	110	400	100	380
KDNE 150-200/224/A/BAQE/1/15/4 T MCE150/C	160	110	400	100	380	1800	1200	730	670	280	426	200	150	1504	467	1644	472

# KDNE - 2 POLES

## STANDARDISED CENTRIFUGAL ELECTRIC PUMPS WITH INVERTER

### SELECTION TABLE - KDNE 32

MODEL	Q=m <sup>3</sup> /h	0	6	12	18	24	30	36	42	48
	Q=l/min	0	100	200	300	400	500	600	700	800
KDNE 32-125.1/110	H (m)	15.5	15.2	13.9	11.5					
KDNE 32-125.1/130		22.3	22.2	21.3	19					
KDNE 32-125.1/140		26.5	26.4	25.6	23.4	20.1				
KDNE 32-125/125		20.9		20.1	18.9	16.9	13.5			
KDNE 32-125/130		22.9		22	21	19.1	16.2			
KDNE 32-125/142		27.8		27	26.1	24.5	21.7	18		
KDNE 32-160.1/137		21.5	21.2	19.3						
KDNE 32-160.1/145		24.7	24.5	22.3	16.5					
KDNE 32-160.1/153		28.3	28	26	20.5					
KDNE 32-160.1/177		39.5	39.3	38.2	34.5	26				
KDNE 32-160/145		27		25.8	23.9	21.2	16.9			
KDNE 32-160/161		34		33	31.7	29.1	25.5			
KDNE 32-160/177		41.8		41.5	40.5	38.4	35.3	31.4		
KDNE 32-200.1/170		34.3	34.2	31.9	23.5					
KDNE 32-200.1/190		45.3	44.7	41.5	35.5					
KDNE 32-200.1/207		55.3	55	51.8	46.4	37				
KDNE 32-200/180		39		38.5	36.5	32.5	28			
KDNE 32-200/200		51		49	48	45	40.5	35		
KDNE 32-200/210		57		56	55	52.5	48.5	43	36	
KDNE 32-200/219		63		62	61	59	56.5	52.5	46.5	39.5

### SELECTION TABLE - KDNE 40

MODEL	Q=m <sup>3</sup> /h	0	6	12	18	24	30	36	42	48	54	60	66	72
	Q=l/min	0	100	200	300	400	500	600	700	800	900	1000	1100	1200
KDNE 40-125/120	H (m)	18.5		18	17.5	17	16	15	13.5	11.8				
KDNE 40-125/142		26.8		26.6	26.4	26	25.3	24.4	23	21.4	19.4	17		
KDNE 40-160/145		27.5			27.4	27	25.7	24.2	22.1	19.5				
KDNE 40-160/161		34.5			34.5	34.4	33.7	32.3	30.5	28.5	25.8	22.5		
KDNE 40-160/177		42.6			42.5	42.4	42	41.5	40	38.5	35	33	30	
KDNE 40-200/180		38.8			38.5	38	37	35	32.5	29	25			
KDNE 40-200/200		48.7			48.4	48.2	47.5	46.5	44	41.5	38.5	34.5		
KDNE 40-200/219		60			59.8	59.7	59.4	59	57	55	52.5	49.5	46	40
KDNE 40-250/220		63.1			62.8	62.5	61	59	57	55	52	48		

**KDNE - 2 POLES****STANDARDISED CENTRIFUGAL ELECTRIC PUMPS WITH INVERTER****SELECTION TABLE - KDNE 50**

MODEL	Q=m <sup>3</sup> /h	0	6	12	18	24	30	36	42	48	54	60	66	72	78	84	90	102	114	
	Q=l/min	0	100	200	300	400	500	600	700	800	900	1000	1100	1200	1300	1400	1500	1700	1900	
<b>KDNE 50-125/125</b>	H (m)	19.8					19.4	19	18.5	17.9	17.4	16.6	16	15.1	14	13	11.8			
<b>KDNE 50-125/139</b>		24.7					24.5	24.3	24	23.5	23	22.4	21.6	20.8	20	19.2	18	15.5		
<b>KDNE 50-125/144</b>		25.9					26.5	26.4	26.1	25.6	25.1	24.5	24	23.2	22.3	21.5	20.5	17.8	15	
<b>KDNE 50-160/145</b>		27.2					27	26.9	26.6	26.4	25.5	25	23.8	23	21.5	20.5	19			
<b>KDNE 50-160/161</b>		33.8					33.7	33.7	33.6	33.6	33.3	32.5	31.8	31	29.8	28.5	27.5			
<b>KDNE 50-160/177</b>		41.6					41.5	41.5	41.3	41.2	41	40.6	40.5	39.5	38.8	38	36.7	33.5		
<b>KDNE 50-200/180</b>		42.5					42	41.7	41.4	40.5	39.5	38	36	34	32	29				
<b>KDNE 50-200/190</b>		47.2					46.8	46.6	46	45.7	44.5	43.5	42	40	38	35.5	33			

**SELECTION TABLE - KDNE 65**

MODEL	Q=m <sup>3</sup> /h	0	48	54	60	66	72	78	84	90	102	114	120	150	180	210	240	
	Q=l/min	0	800	900	1000	1100	1200	1300	1400	1500	1700	1900	2000	2500	3000	3500	4000	
<b>KDNE 65-125/120</b>	H (m)	17.8	16	15.6	15.3	14.9	14.4	13.9	13.4	13	11.5	10.3	9.4					
<b>KDNE 65-125/130</b>		21	19.6	19.5	19.1	18.9	18.5	18	17.5	17	15.7	14.2	13.2					
<b>KDNE 65-125/144</b>		25.6	25.5	25.4	25.2	25	24.6	24.3	24	23.4	22.5	21.1	20.2	16				
<b>KDNE 65-160/137</b>		23.1	22.4	22	21.7	21.3	20.5	19.7	19	18	16							
<b>KDNE 65-160/153</b>		29.1	28.8	28.5	28.6	28.5	28	27.5	26.6	26	24	22	21					
<b>KDNE 65-160/169</b>		36.4	36.3	36.2	36.1	36	35.7	35.3	34.7	34	32.7	31	30					
<b>KDNE 65-200/170</b>		37.2	36.8	36.7	36.6	36.5	36	35	34	32.5	30	27	25					

**SELECTION TABLE - KDNE 80**

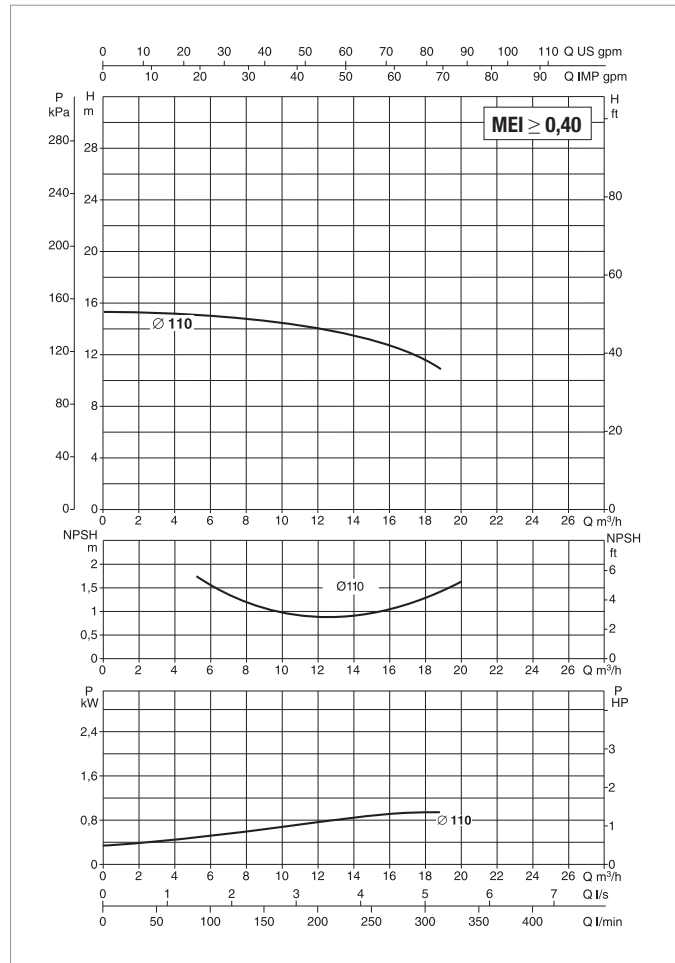
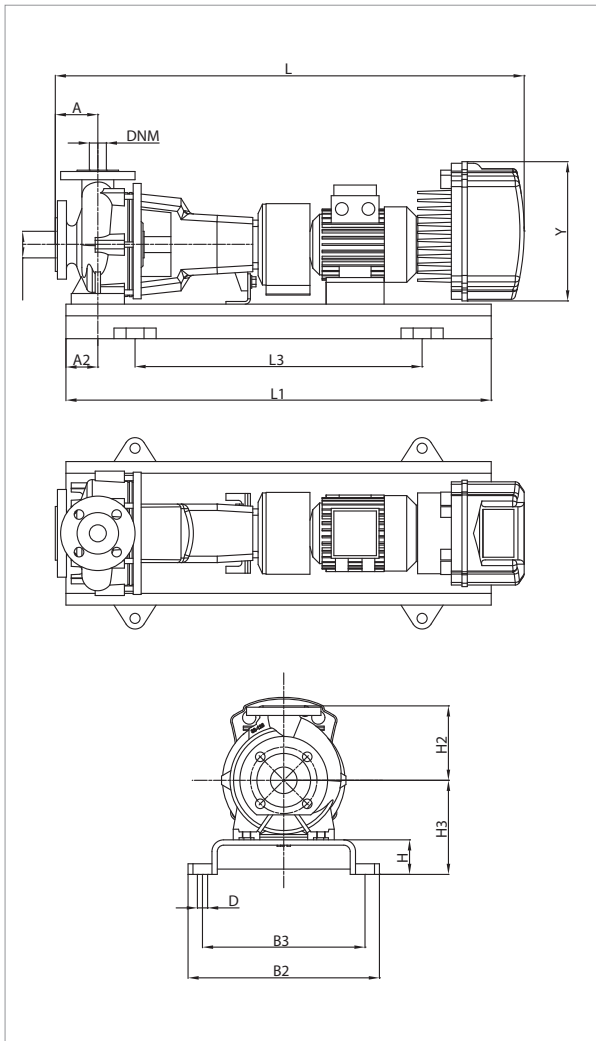
MODEL	Q=m <sup>3</sup> /h	0	90	102	114	120	150	180	210	240	270	300
	Q=l/min	0	1500	1700	1900	2000	2500	3000	3500	4000	4500	5000
<b>KDNE 80-160/153</b>	H (m)	29.3	28	27.3	26.5	26	23.5	20.7	16.5	14.5		

# KDNE 32-125.1 - 2 POLES - STANDARDISED CENTRIFUGAL ELECTRIC PUMPS WITH INVERTER FOR CIRCULATION SYSTEMS



Pumped liquid temperature range: from -10 °C to +140 °C (MCE/C) - Maximum ambient temperature: +40 °C

= 2900 1/min



See hydraulic efficiency details on page 241.

The performance curves are based on kinematic viscosity values = 1 mm²/s and density equal to 1000 kg/m³. Curve tolerance according to ISO 9906.

MODEL	MCE MODEL	POWER INPUT 50 Hz	P2 NOMINAL		In A
			kW	HP	
KDNE 32-125.1/110/A/BAQE/1/1,5/2 M MCE15/C	MCE15/C	1 x 230 ~V	1,5	2	14,1
KDNE 32-125.1/110/A/BAQE/1/1,5/2 T MCE30/C	MCE30/C	3 x 400 ~V	1,5	2	4,2

MODEL	A	A2	H2	H	H3	L1	L3	B2	B3	D	Y	FLANGE DIMENSIONS (mm)		STANDARD COUPLING		SPACER COUPLING	
												DNA	DNM	L	WEIGHT kg	L	WEIGHT kg
												KDNE 32-125.1/110/A/BAQE/1/1,5/2 M MCE15/C	80	60	140	65	177
KDNE 32-125.1/110/A/BAQE/1/1,5/2 T MCE30/C	80	60	140	65	177	800	540	360	320	19	353	50	32	1056	99,6	1156	104,6

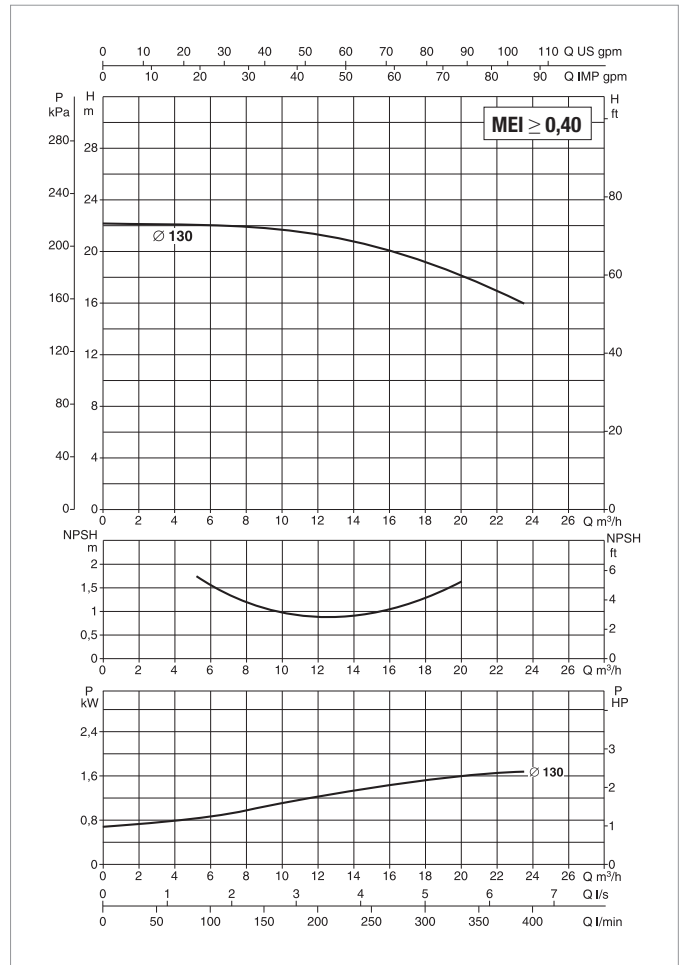
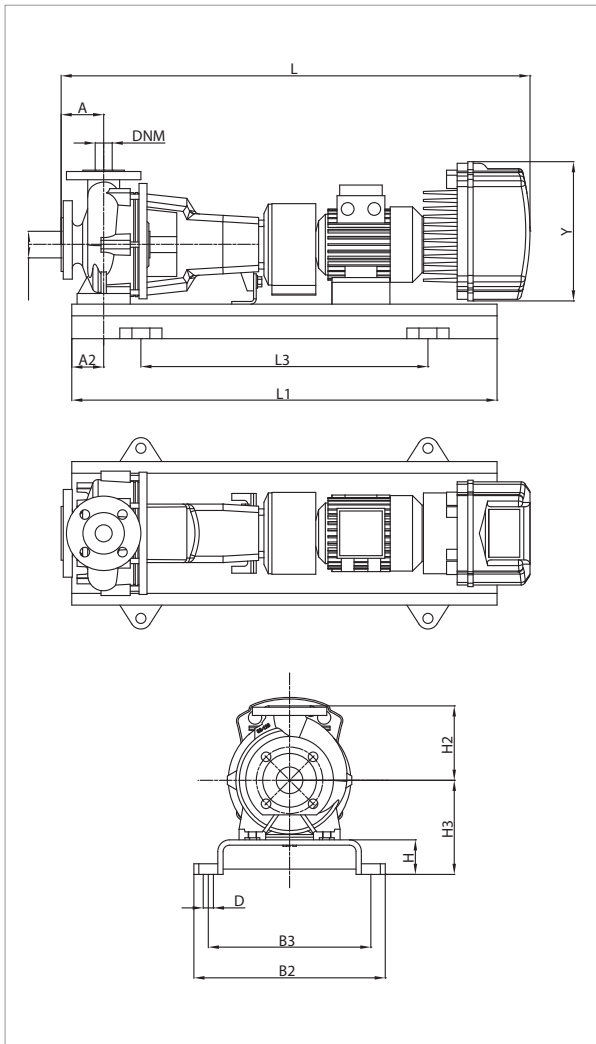


# KDNE 32-125.1 - 2 POLES - STANDARDISED CENTRIFUGAL ELECTRIC PUMPS WITH INVERTER FOR CIRCULATION SYSTEMS



Pumped liquid temperature range: from -10 °C to +140 °C (MCE/C) - Maximum ambient temperature: +40 °C

= 2900 1/min



See hydraulic efficiency details on page 241.

The performance curves are based on kinematic viscosity values = 1 mm²/s and density equal to 1000 kg/m³. Curve tolerance according to ISO 9906.

MODEL	MCE MODEL	POWER INPUT 50 Hz	P2 NOMINAL		In A
			kW	HP	
KDNE 32-125.1/130/A/BAQE/1/2,2/2 M MCE22/C	MCE22/C	1 x 230 ~V	2,2	3	19,6
KDNE 32-125.1/130/A/BAQE/1/2,2/2 T MCE30/C	MCE30/C	3 x 400 ~V	2,2	3	6

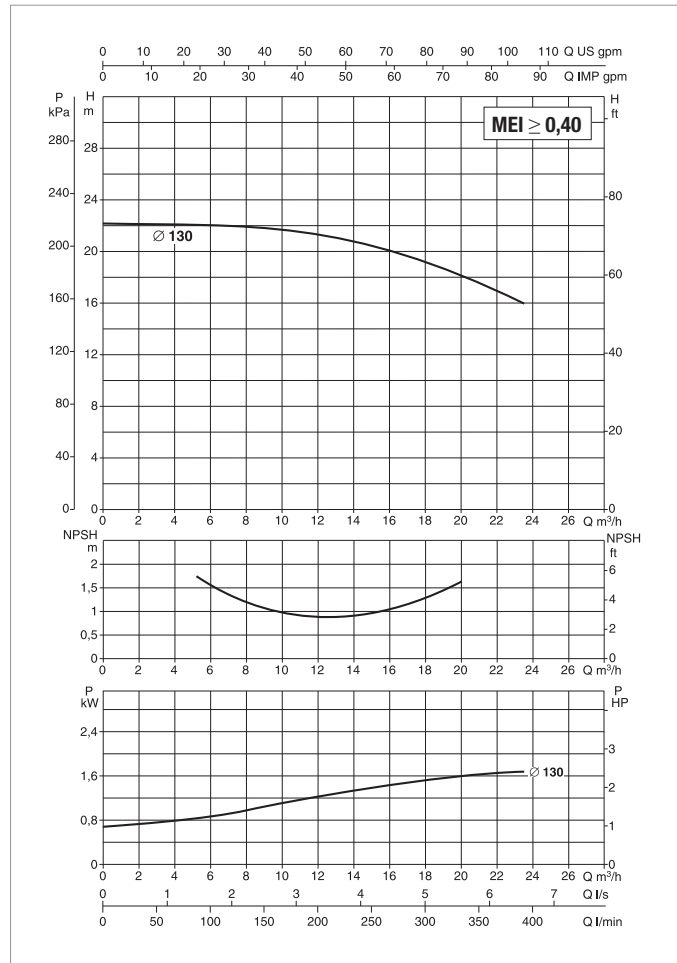
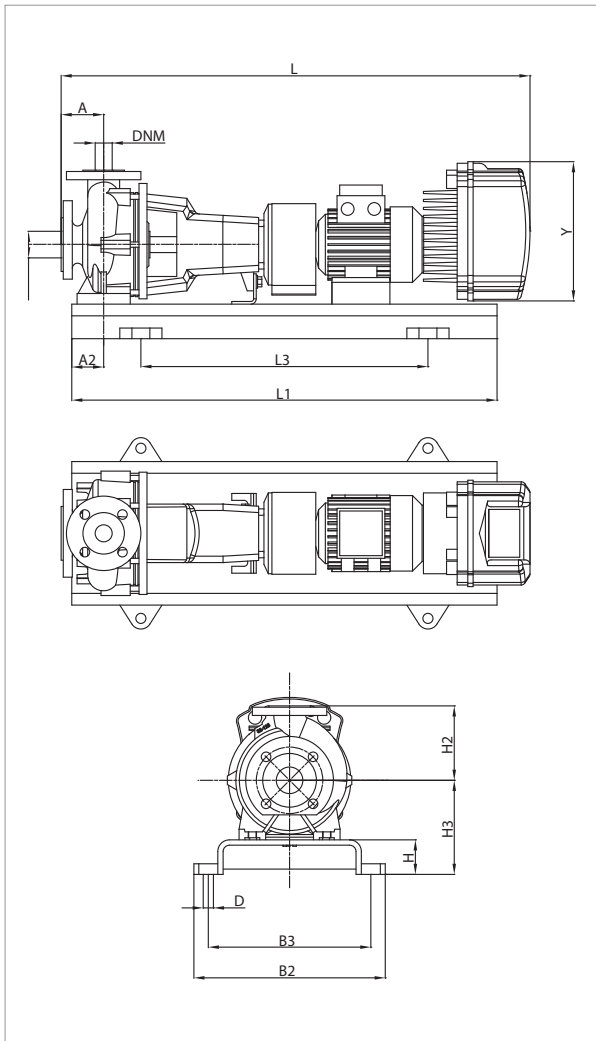
MODEL	A	A2	H2	H	H3	L1	L3	B2	B3	D	Y	FLANGE DIMENSIONS (mm)		STANDARD COUPLING		SPACER COUPLING	
												DNA	DNM	L	WEIGHT kg	L	WEIGHT kg
												KDNE 32-125.1/130/A/BAQE/1/2,2/2 M MCE22/C	80	60	140	65	177
KDNE 32-125.1/130/A/BAQE/1/2,2/2 T MCE30/C	80	60	140	65	177	900	600	390	350	19	353	50	32	1056	106,6	1156	111,6

# KDNE 32-125.1 - 2 POLES - STANDARDISED CENTRIFUGAL ELECTRIC PUMPS WITH INVERTER FOR PRESSURISATION SYSTEMS



Pumped liquid temperature range: from -10 °C to +80 °C (MCE/P) - Maximum ambient temperature: +40 °C

= 2900 1/min



See hydraulic efficiency details on page 241.

The performance curves are based on kinematic viscosity values = 1 mm²/s and density equal to 1000 kg/m³. Curve tolerance according to ISO 9906.

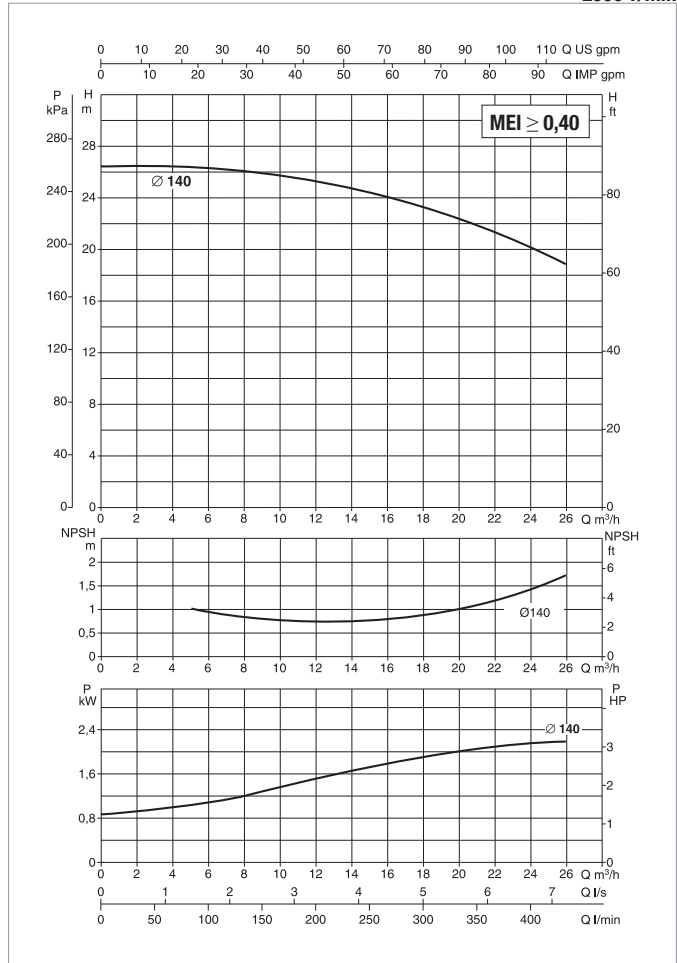
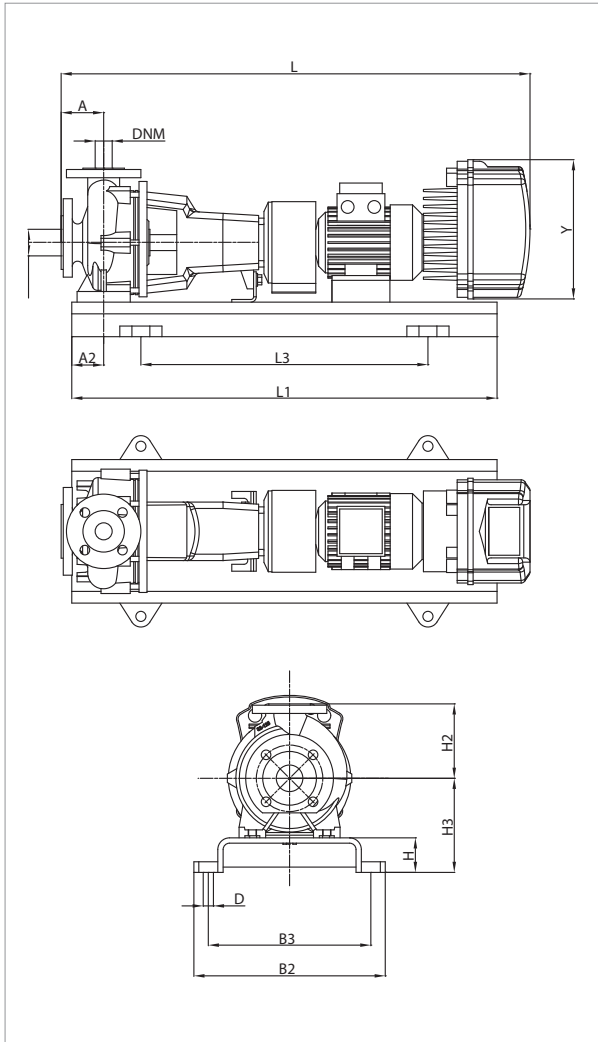
MODEL	MCE MODEL	POWER INPUT 50 Hz	P2 NOMINAL		In A
			kW	HP	
KDNE 32-125.1/130/A/BAQE/1/2.2/2 M MCE22/P	MCE22/P	1 x 230 ~V	2,2	3	19,6

MODEL	A	A2	H2	H	H3	L1	L3	B2	B3	D	Y	FLANGE DIMENSIONS (mm)		STANDARD COUPLING		SPACER COUPLING	
												DNA	DNM	L	WEIGHT kg	L	WEIGHT kg
												KDNE 32-125.1/130/A/BAQE/1/2.2/2 M MCE22/P	80	60	140	65	177

# KDNE 32-125.1 - 2 POLES - STANDARDISED CENTRIFUGAL ELECTRIC PUMPS WITH INVERTER FOR CIRCULATION OR PRESSURISATION SYSTEMS



Pumped liquid temperature range: from -10 °C to +140 °C (MCE/C) - from -10 °C to +80 °C (MCE/P) - Maximum ambient temperature: +40 °C = 2900 1/min



See hydraulic efficiency details on page 241.

The performance curves are based on kinematic viscosity values = 1 mm²/s and density equal to 1000 kg/m³. Curve tolerance according to ISO 9906.

MODEL	MCE MODEL	POWER INPUT 50 Hz	P2 NOMINAL		In A
			kW	HP	
KDNE 32-125.1/140/A/BAQE/1/3/2 T MCE30/C-P	MCE30/C - MCE30/P	3 x 400 ~V	3	4	7,4

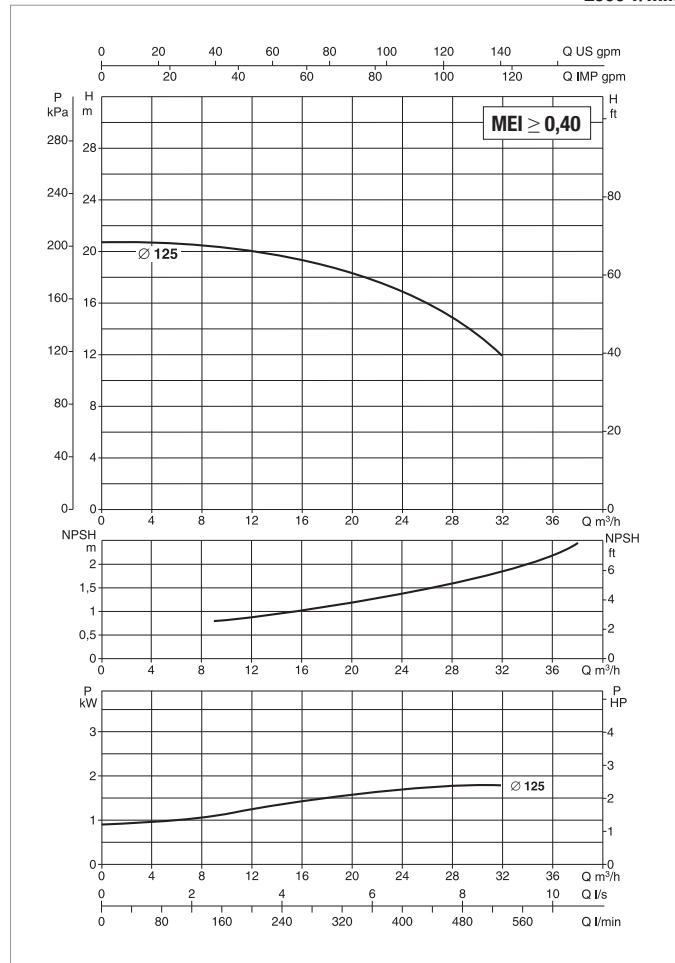
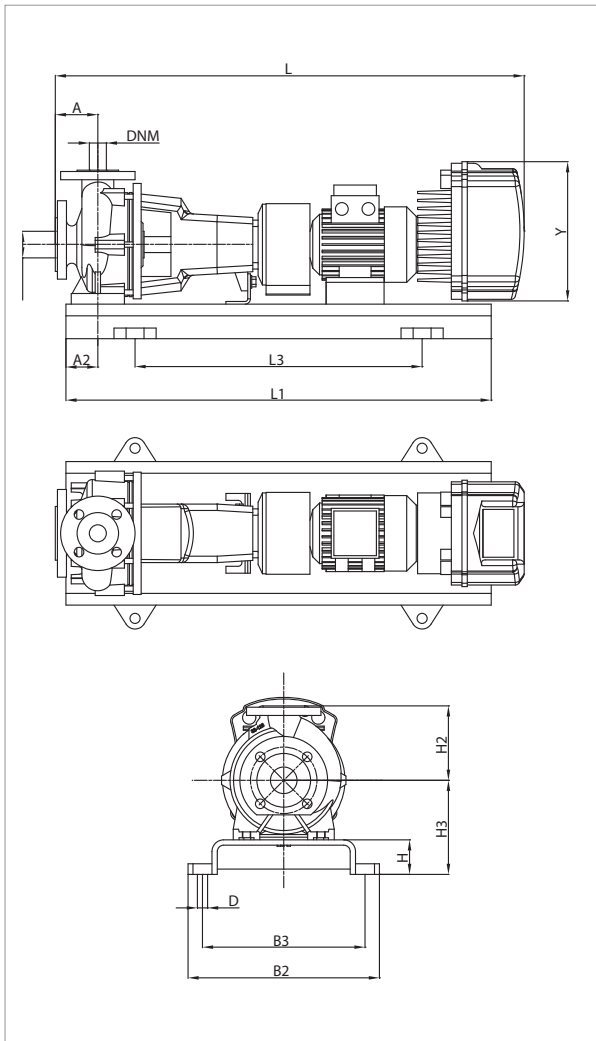
MODEL	A	A2	H2	H	H3	L1	L3	B2	B3	D	Y	FLANGE DIMENSIONS (mm)		STANDARD COUPLING		SPACER COUPLING	
												DNA	DNM	L	WEIGHT kg	L	WEIGHT kg
												KDNE 32-125.1/140/A/BAQE/1/3/2 T MCE30/C-P	80	60	140	65	177

# KDNE 32-125 - 2 POLES - STANDARDISED CENTRIFUGAL ELECTRIC PUMPS WITH INVERTER FOR CIRCULATION SYSTEMS



Pumped liquid temperature range: from -10 °C to +140 °C (MCE/C) - Maximum ambient temperature: +40 °C

= 2900 1/min



See hydraulic efficiency details on page 241.

The performance curves are based on kinematic viscosity values = 1 mm<sup>2</sup>/s and density equal to 1000 kg/m<sup>3</sup>. Curve tolerance according to ISO 9906.

MODEL	MCE MODEL	POWER INPUT 50 Hz	P2 NOMINAL		In A
			kW	HP	
KDNE 32-125/125/A/BAQE/1/2,2/2 M MCE22/C	MCE22/C	1 x 230 ~V	2,2	3	19,6
KDNE 32-125/125/A/BAQE/1/2,2/2 T MCE30/C	MCE30/C	3 x 400 ~V	2,2	3	6

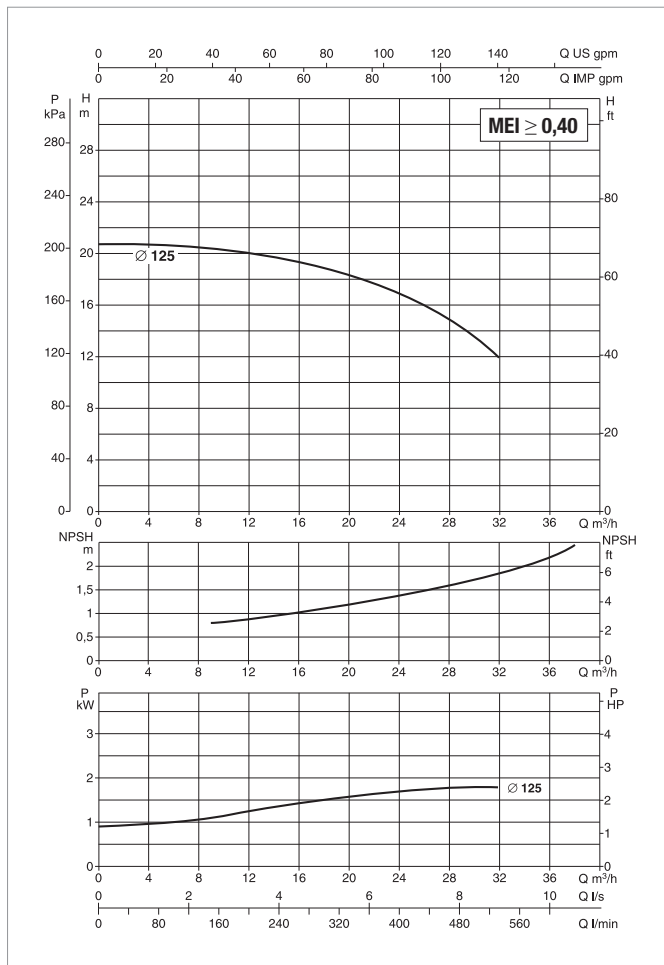
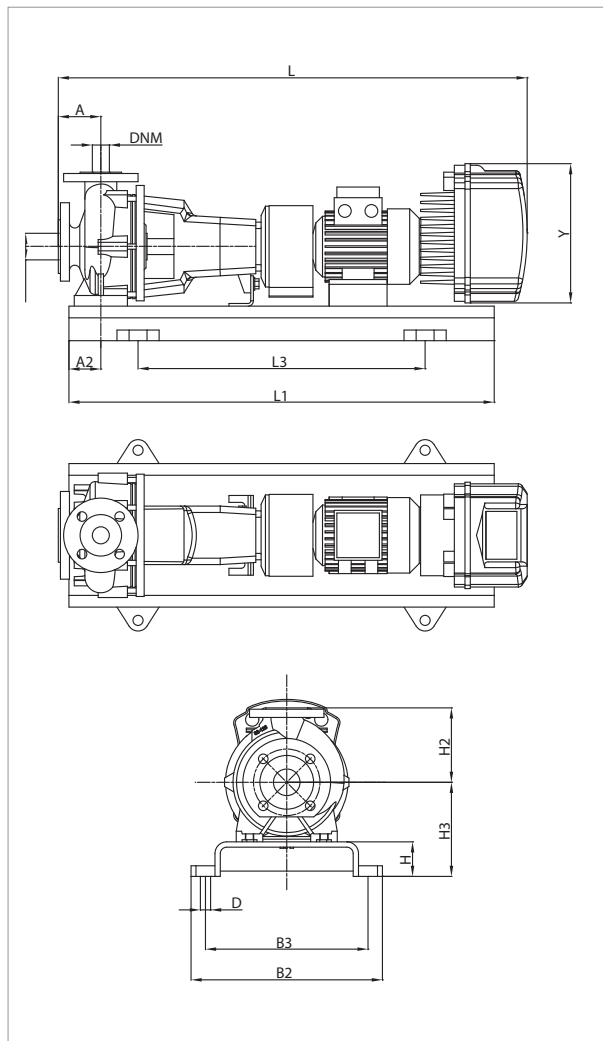
MODEL	A	A2	H2	H	H3	L1	L3	B2	B3	D	Y	FLANGE DIMENSIONS (mm)		STANDARD COUPLING		SPACER COUPLING	
												DNA	DNM	L	WEIGHT kg	L	WEIGHT kg
												KDNE 32-125/125/A/BAQE/1/2,2/2 M MCE22/C	80	60	140	65	177
KDNE 32-125/125/A/BAQE/1/2,2/2 T MCE30/C	80	60	140	65	177	900	600	390	350	19	353	50	32	1056	99,6	1156	104,6

# KDNE 32-125 - 2 POLES - STANDARDISED CENTRIFUGAL ELECTRIC PUMPS WITH INVERTER FOR PRESSURISATION SYSTEMS



Pumped liquid temperature range: from -10 °C to +80 °C (MCE/P) - Maximum ambient temperature: +40 °C

= 2900 1/min



See hydraulic efficiency details on page 241.

The performance curves are based on kinematic viscosity values = 1 mm<sup>2</sup>/s and density equal to 1000 kg/m<sup>3</sup>. Curve tolerance according to ISO 9906.

MODEL	MCE MODEL	POWER INPUT 50 Hz	P2 NOMINAL		In A
			kW	HP	
KDNE 32-125/125/A/BAQE/1/2.2/2 M MCE22/P	MCE22/P	1 x 230 ~V	2,2	3	19,6

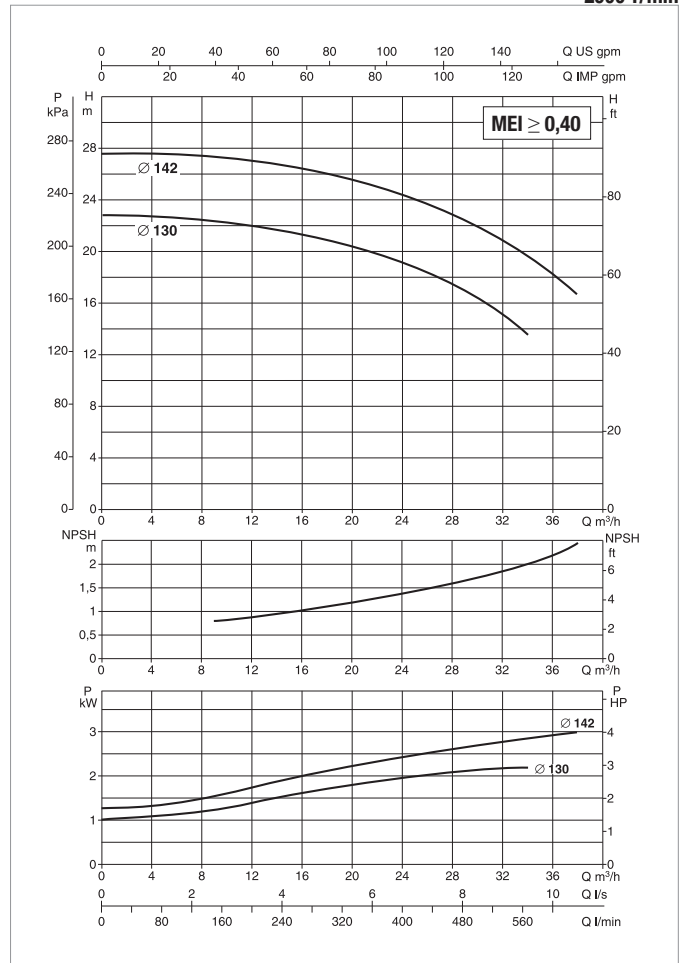
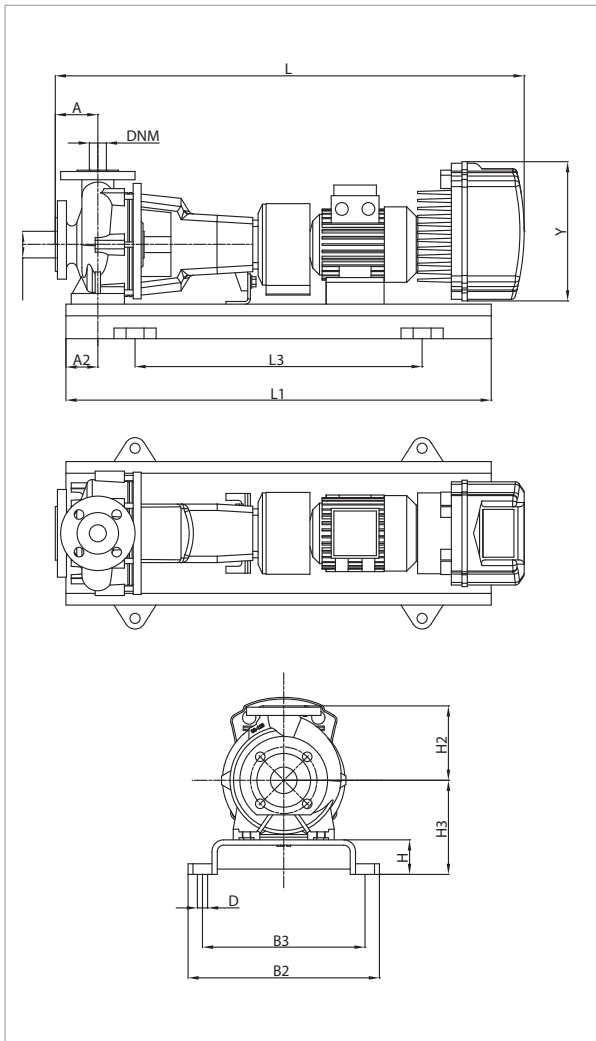
MODEL	A	A2	H2	H	H3	L1	L3	B2	B3	D	Y	FLANGE DIMENSIONS (mm)		STANDARD COUPLING		SPACER COUPLING	
												DNA	DNM	L	WEIGHT kg	L	WEIGHT kg
												KDNE 32-125/125/A/BAQE/1/2.2/2 M MCE22/P	80	60	140	65	177

# KDNE 32-125 - 2 POLES - STANDARDISED CENTRIFUGAL ELECTRIC PUMPS WITH INVERTER FOR CIRCULATION OR PRESSURISATION SYSTEMS

MCE-C

MCE-P

Pumped liquid temperature range: from -10 °C to +140 °C (MCE/C) - from -10 °C to +80 °C (MCE/P) - Maximum ambient temperature: +40 °C  
= 2900 1/min



See hydraulic efficiency details on page 241.

The performance curves are based on kinematic viscosity values = mm²/s and density equal to 1000 kg/m³. Curve tolerance according to ISO 9906.

MODEL	MCE MODEL	POWER INPUT 50 Hz	P2 NOMINAL		In A
			kW	HP	
KDNE 32-125/130/A/BAQE/1/3/2 T MCE30/C-P	MCE30/C - MCE30/P	3 x 400 ~V	3	4	7,4
KDNE 32-125/142/A/BAQE/1/4/2 T MCE55/C-P	MCE55/C - MCE55/P	3 x 400 ~V	4	5,5	10,1

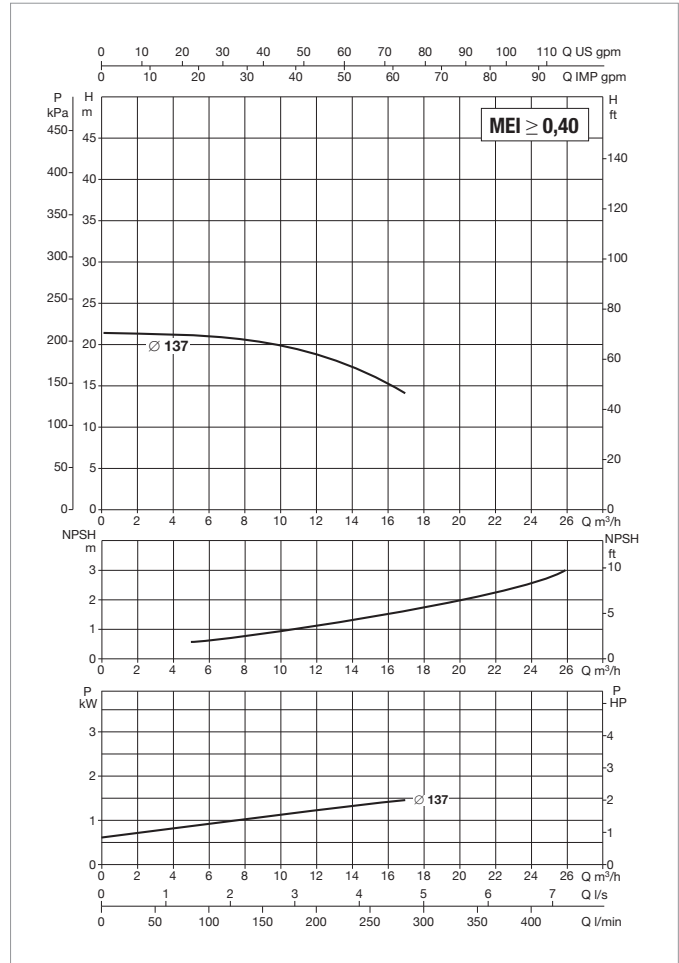
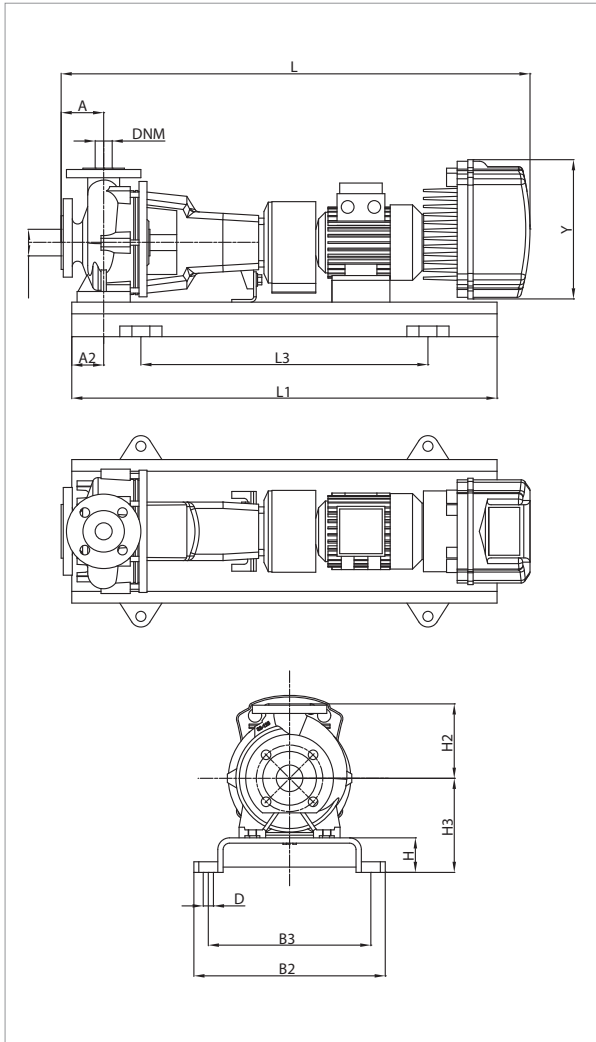
MODEL	A	A2	H2	H	H3	L1	L3	B2	B3	D	Y	FLANGE DIMENSIONS (mm)		STANDARD COUPLING		SPACER COUPLING	
												DNA	DNM	L	WEIGHT kg	L	WEIGHT kg
KDNE 32-125/130/A/BAQE/1/3/2 T MCE30/C-P	80	60	140	65	177	900	600	390	350	19	353	50	32	1026	105	1126	110
KDNE 32-125/142/A/BAQE/1/4/2 T MCE55/C-P	80	60	140	65	177	900	600	390	350	19	353	50	32	1046	126	1146	131

# KDNE 32-160.1 - 2 POLES - STANDARDISED CENTRIFUGAL ELECTRIC PUMPS WITH INVERTER FOR CIRCULATION SYSTEMS



Pumped liquid temperature range: from -10 °C to +140 °C (MCE/C) - Maximum ambient temperature: +40 °C

= 2900 1/min



See hydraulic efficiency details on page 241.

The performance curves are based on kinematic viscosity values = 1 mm²/s and density equal to 1000 kg/m³. Curve tolerance according to ISO 9906.

MODEL	MCE MODEL	POWER INPUT 50 Hz	P2 NOMINAL		In A
			kW	HP	
KDNE 32-160.1/137/A/BAQE/1/1,5/2 M MCE15/C	MCE15/C	1 x 230 ~V	1,5	2	14,1
KDNE 32-160.1/137/A/BAQE/1/1,5/2 T MCE30/C	MCE30/C	3 x 400 ~V	1,5	2	4,2

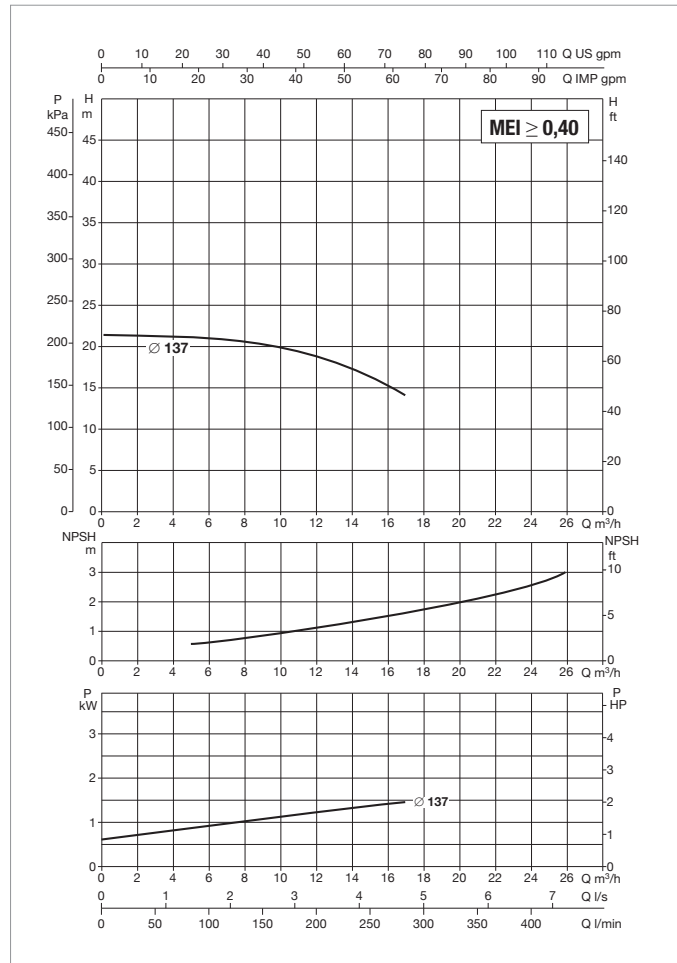
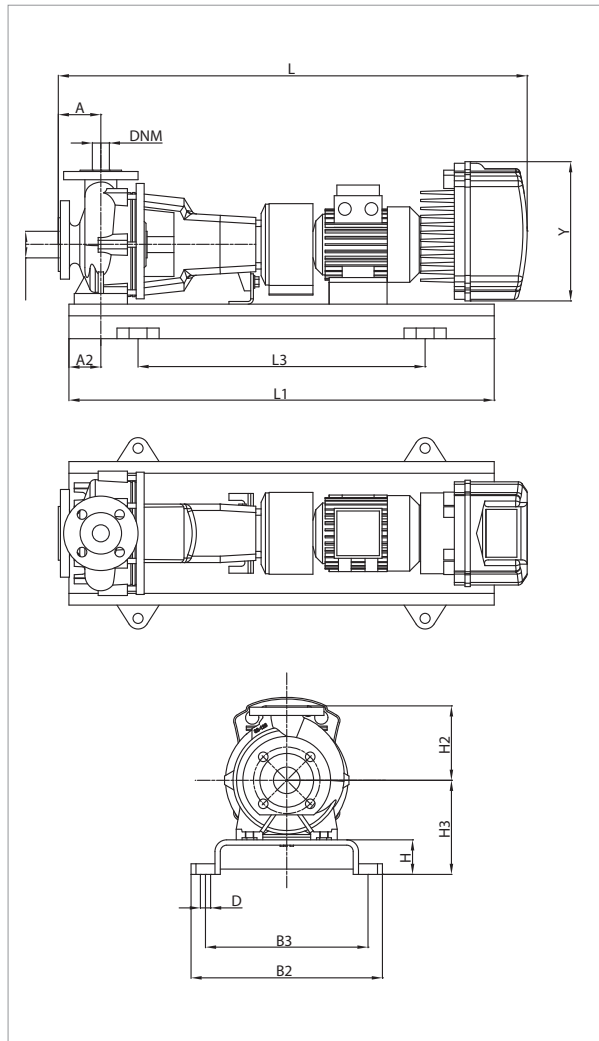
MODEL	A	A2	H2	H	H3	L1	L3	B2	B3	D	Y	FLANGE DIMENSIONS (mm)		STANDARD COUPLING		SPACER COUPLING	
												DNA	DNM	L	WEIGHT kg	L	WEIGHT kg
												KDNE 32-160.1/137/A/BAQE/1/1,5/2 M MCE15/C	80	60	160	65	197
KDNE 32-160.1/137/A/BAQE/1/1,5/2 T MCE30/C	80	60	160	65	197	800	540	360	320	19	353	50	32	1056	100,6	1156	105,6

# KDNE 32-160.1 - 2 POLES - STANDARDISED CENTRIFUGAL ELECTRIC PUMPS WITH INVERTER FOR PRESSURISATION SYSTEMS



Pumped liquid temperature range: from -10 °C to +80 °C (MCE/P) - Maximum ambient temperature: +40 °C

= 2900 1/min



See hydraulic efficiency details on page 241.

The performance curves are based on kinematic viscosity values = 1 mm²/s and density equal to 1000 kg/m³. Curve tolerance according to ISO 9906.

MODEL	MCE MODEL	POWER INPUT 50 Hz	P2 NOMINAL		In A
			kW	HP	
KDNE 32-160.1/137/A/BAQE/1/1,5/2 MCE22/P	MCE22/P	1 x 230 ~V	1,5	2	14,1

MODEL	A	A2	H2	H	H3	L1	L3	B2	B3	D	Y	FLANGE DIMENSIONS (mm)		STANDARD COUPLING		SPACER COUPLING	
												DNA	DNM	L	WEIGHT kg	L	WEIGHT kg
												KDNE 32-160.1/137/A/BAQE/1/1,5/2 MCE22/P	80	60	160	65	197

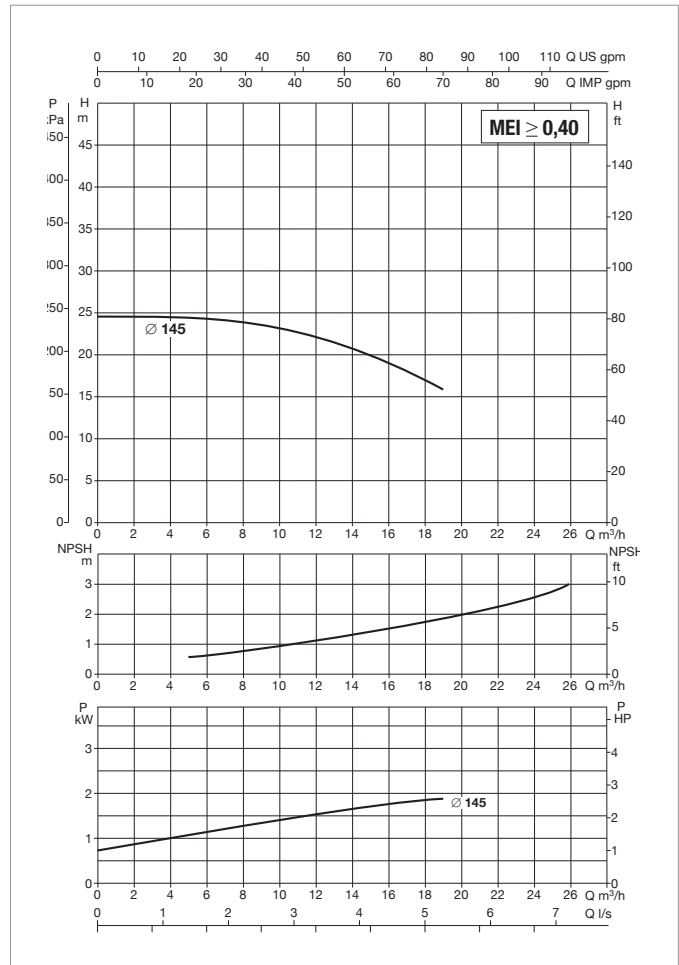
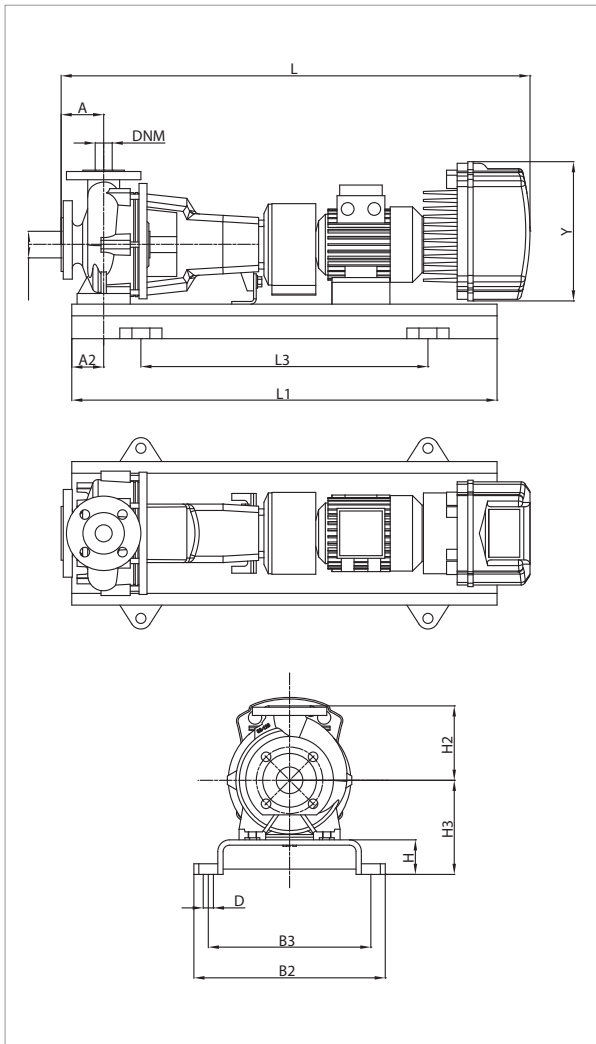


# KDNE 32-160.1 - 2 POLES - STANDARDISED CENTRIFUGAL ELECTRIC PUMPS WITH INVERTER FOR CIRCULATION SYSTEMS



Pumped liquid temperature range: from -10 °C to +140 °C (MCE/C) - Maximum ambient temperature: +40 °C

= 2900 1/min



See hydraulic efficiency details on page 241.

The performance curves are based on kinematic viscosity values = 1 mm²/s and density equal to 1000 kg/m³. Curve tolerance according to ISO 9906.

MODEL	MCE MODEL	POWER INPUT 50 Hz	P2 NOMINAL		In A
			kW	HP	
KDNE 32-160.1/145/A/BAQE/1/2,2/2 M MCE22/C	MCE22/C	1 x 230 ~V	2,2	3	19,6
KDNE 32-160.1/145/A/BAQE/1/2,2/2 T MCE30/C	MCE30/C	3 x 400 ~V	2,2	3	6

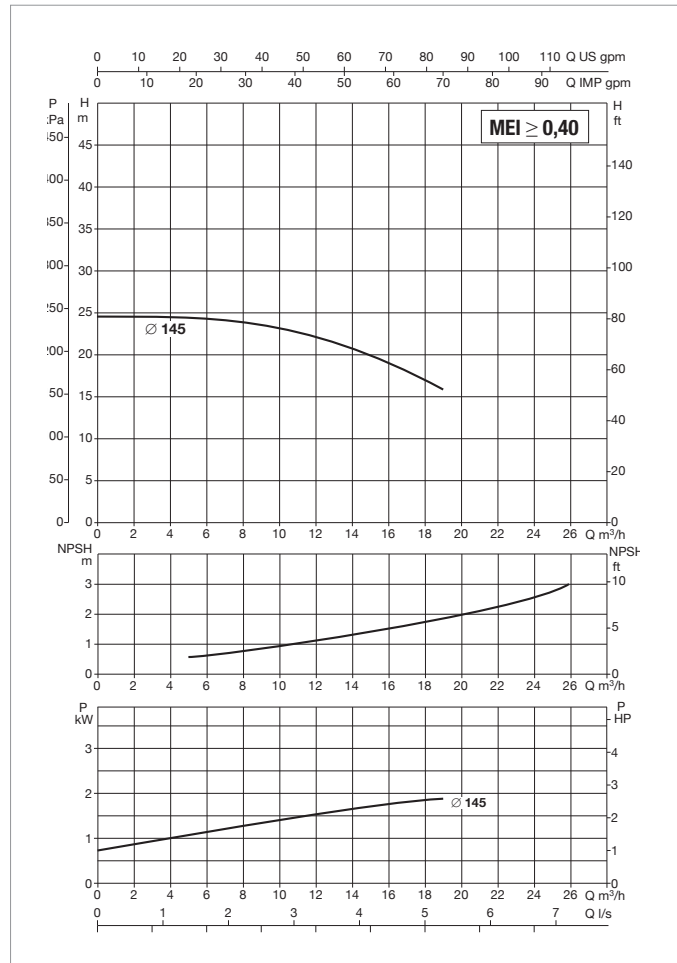
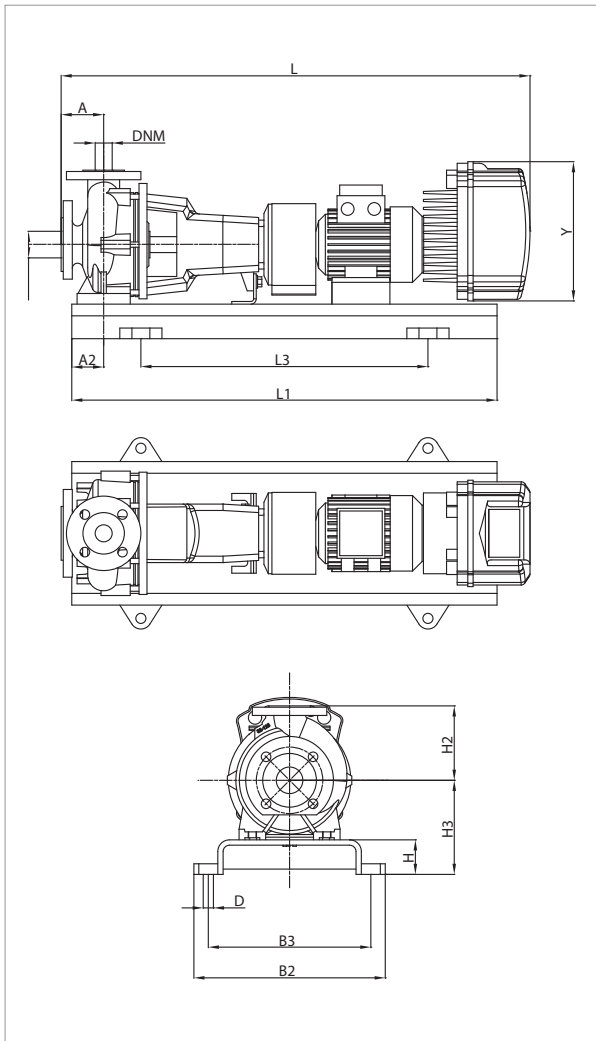
MODEL	A	A2	H2	H	H3	L1	L3	B2	B3	D	Y	FLANGE DIMENSIONS (mm)		STANDARD COUPLING		SPACER COUPLING	
												DNA	DNM	L	WEIGHT kg	L	WEIGHT kg
												KDNE 32-160.1/145/A/BAQE/1/2,2/2 M MCE22/C	80	60	160	65	197
KDNE 32-160.1/145/A/BAQE/1/2,2/2 T MCE30/C	80	60	160	65	197	900	600	390	350	19	353	50	32	1056	108,6	1156	113,6

# KDNE 32-160.1 - 2 POLES - STANDARDISED CENTRIFUGAL ELECTRIC PUMPS WITH INVERTER FOR PRESSURISATION SYSTEMS



Pumped liquid temperature range: from -10 °C to +80 °C (MCE/P) - Maximum ambient temperature: +40 °C

= 2900 1/min



See hydraulic efficiency details on page 241.

The performance curves are based on kinematic viscosity values = 1 mm²/s and density equal to 1000 kg/m³. Curve tolerance according to ISO 9906.

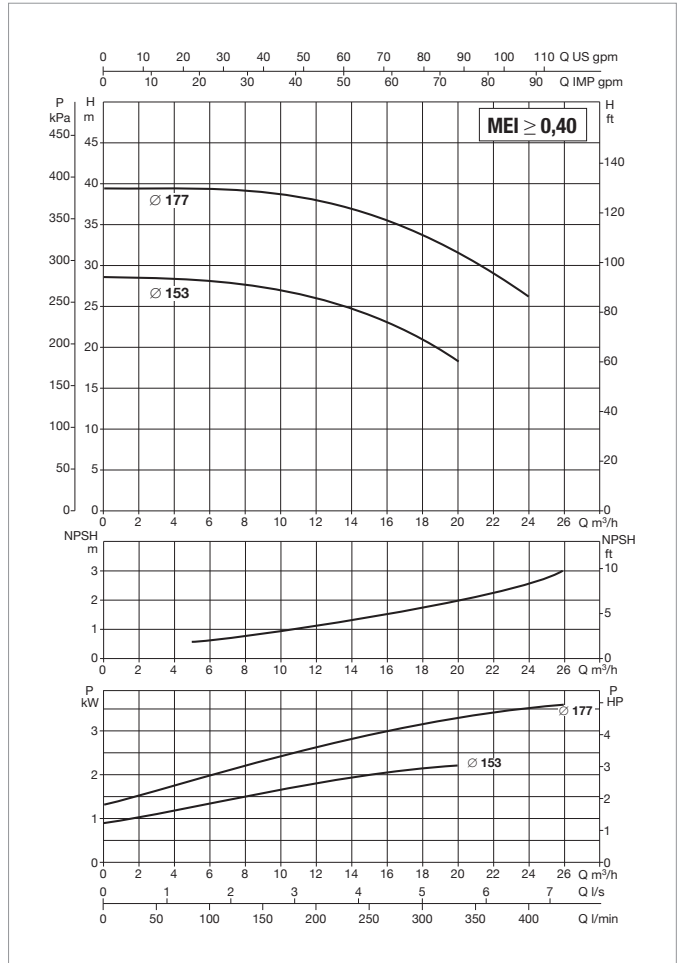
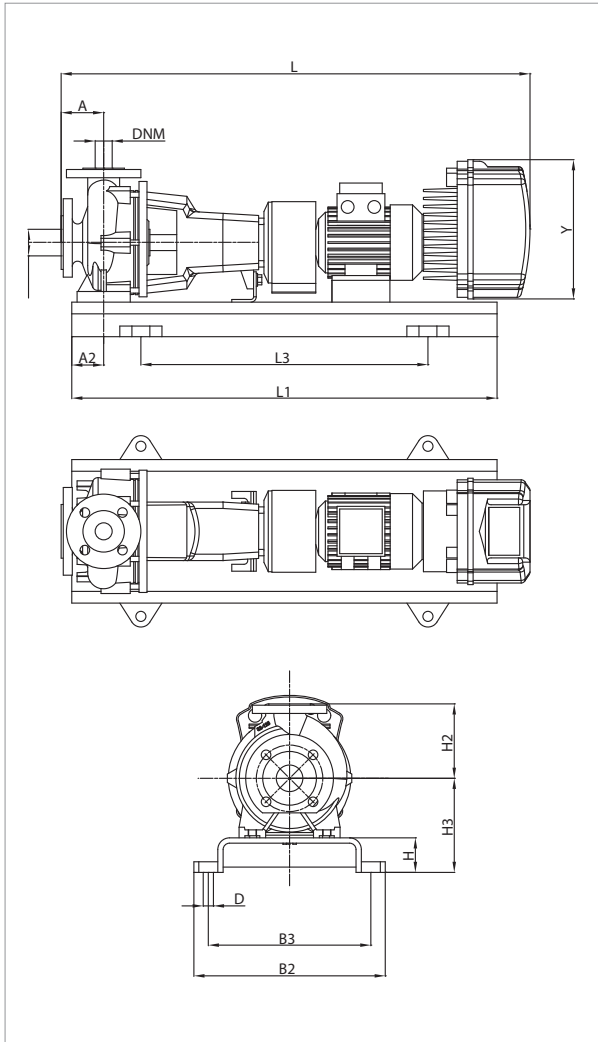
MODEL	MCE MODEL	POWER INPUT 50 Hz	P2 NOMINAL		In A
			kW	HP	
KDNE 32-160.1/145/A/BAQE/1/2.2/2 M MCE22/P	MCE22/P	1 x 230 ~V	2,2	3	19,6

MODEL	A	A2	H2	H	H3	L1	L3	B2	B3	D	Y	FLANGE DIMENSIONS (mm)		STANDARD COUPLING		SPACER COUPLING	
												DNA	DNM	L	WEIGHT kg	L	WEIGHT kg
												KDNE 32-160.1/145/A/BAQE/1/2.2/2 M MCE22/P	80	60	160	65	197

# KDNE 32-160.1 - 2 POLES - STANDARDISED CENTRIFUGAL ELECTRIC PUMPS WITH INVERTER FOR CIRCULATION OR PRESSURISATION SYSTEMS



Pumped liquid temperature range: from -10 °C to +140 °C (MCE/C) - from -10 °C to +80 °C (MCE/P) - Maximum ambient temperature: +40 °C = 2900 1/min



See hydraulic efficiency details on page 241.

The performance curves are based on kinematic viscosity values = 1 mm²/s and density equal to 1000 kg/m³. Curve tolerance according to ISO 9906.

MODEL	MCE MODEL	POWER INPUT 50 Hz	P2 NOMINAL		In A
			kW	HP	
KDNE 32-160.1/153/A/BAQE/1/3/2 T MCE30/C-P	MCE30/C - MCE30/P	3 x 400 ~V	3	4	7,4
KDNE 32-160.1/177/A/BAQE/1/5,5/2 T MCE55/C-P	MCE55/C - MCE55/P	3 x 400 ~V	5,5	7,5	13,1

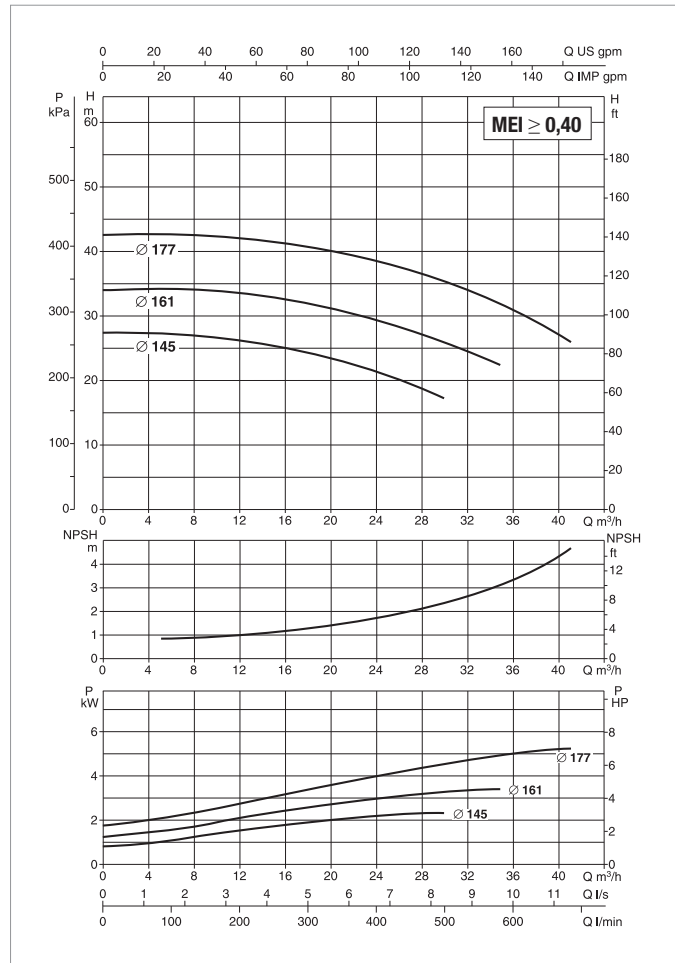
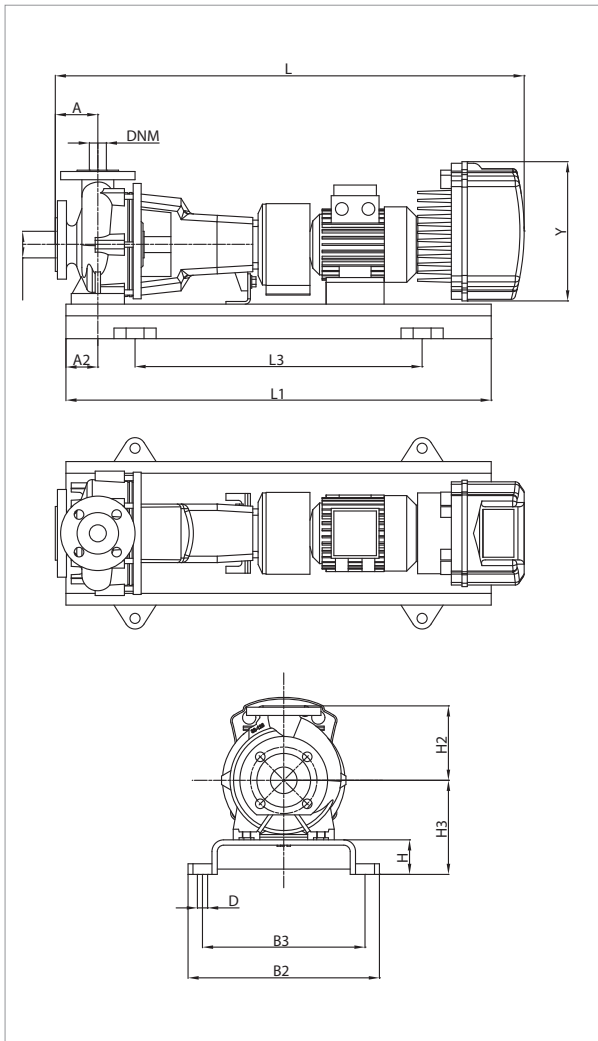
MODEL	A	A2	H2	H	H3	L1	L3	B2	B3	D	Y	FLANGE DIMENSIONS (mm)		STANDARD COUPLING		SPACER COUPLING	
												DNA	DNM	L	WEIGHT kg	L	WEIGHT kg
												KDNE 32-160.1/153/A/BAQE/1/3/2 T MCE30/C-P	80	60	160	65	197
KDNE 32-160.1/177/A/BAQE/1/5,5/2 T MCE55/C-P	80	60	160	80	212	1000	660	450	400	24	353	50	32	1159	145	1259	150

# KDNE 32-160 - 2 POLES - STANDARDISED CENTRIFUGAL ELECTRIC PUMPS WITH INVERTER FOR CIRCULATION OR PRESSURISATION SYSTEMS

MCE-C

MCE-P

Pumped liquid temperature range: from -10 °C to +140 °C (MCE/C) - from -10 °C to +80 °C (MCE/P) - Maximum ambient temperature: +40 °C = 2900 1/min



See hydraulic efficiency details on page 241.

The performance curves are based on kinematic viscosity values = 1 mm²/s and density equal to 1000 kg/m³. Curve tolerance according to ISO 9906.

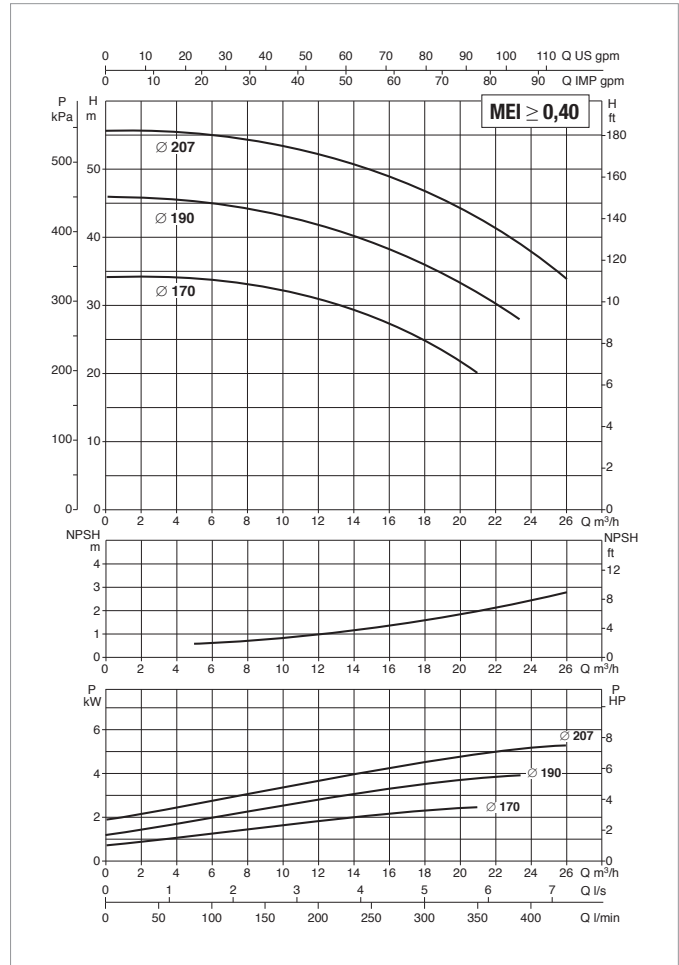
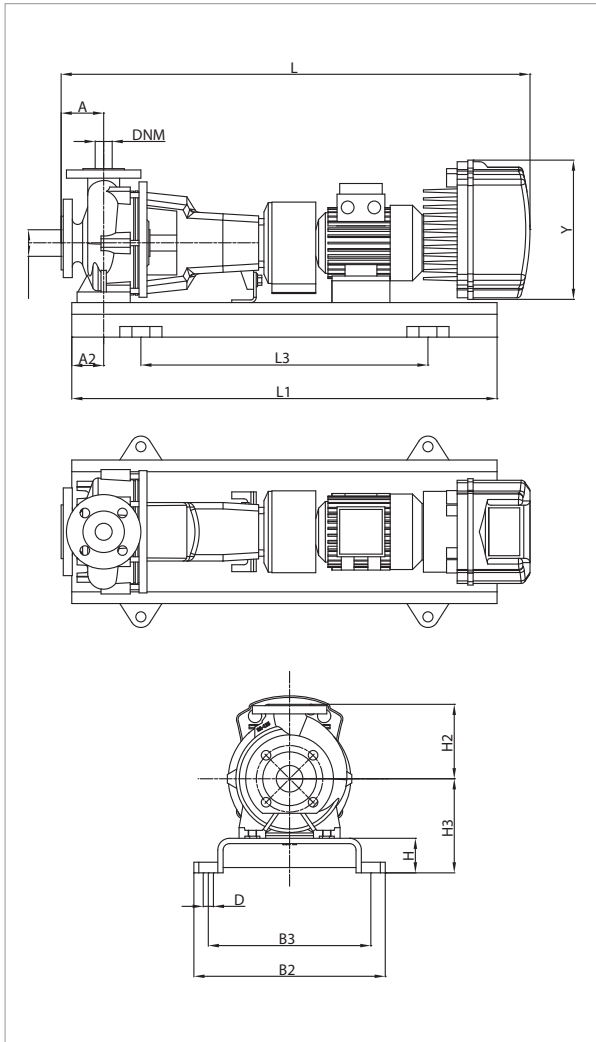
MODEL	MCE MODEL	POWER INPUT 50 Hz	P2 NOMINAL		In A
			kW	HP	
KDNE 32-160/145/A/BAQE/1/3/2 T MCE30/C-P	MCE30/C - MCE30/P	3 x 400 ~V	3	4	7,4
KDNE 32-160/161/A/BAQE/1/5,5/2 T MCE55/C-P	MCE55/C - MCE55/P	3 x 400 ~V	5,5	7,5	13,1
KDNE 32-160/177/A/BAQE/1/7,5/2 T MCE110/C-P	MCE110/C - MCE110/P	3 x 400 ~V	7,5	10	17,6

MODEL	A	A2	H2	H	H3	L1	L3	B2	B3	D	Y	FLANGE DIMENSIONS (mm)		STANDARD COUPLING		SPACER COUPLING	
												DNA	DNM	L	WEIGHT kg	L	WEIGHT kg
												KDNE 32-160/145/A/BAQE/1/3/2 T MCE30/C-P	80	60	160	65	197
KDNE 32-160/161/A/BAQE/1/5,5/2 T MCE55/C-P	80	60	160	80	212	1000	660	450	400	24	353	50	32	1159	145	1259	150
KDNE 32-160/177/A/BAQE/1/7,5/2 T MCE110/C-P	80	60	160	80	212	1000	660	450	400	24	426	50	32	1209	152	1309	157

# KDNE 32-200.1 - 2 POLES - STANDARDISED CENTRIFUGAL ELECTRIC PUMPS WITH INVERTER FOR CIRCULATION OR PRESSURISATION SYSTEMS



Pumped liquid temperature range: from -10 °C to +140 °C (MCE/C) - from -10 °C to +80 °C (MCE/P) - Maximum ambient temperature: +40 °C = 2900 1/min



**See hydraulic efficiency details on page 241.**  
The performance curves are based on kinematic viscosity values = 1 mm<sup>2</sup>/s and density equal to 1000 kg/m<sup>3</sup>. Curve tolerance according to ISO 9906.

MODEL	MCE MODEL	POWER INPUT 50 Hz	P2 NOMINAL		In A
			kW	HP	
KDNE 32-200.1/170/A/BAQE/1/3/2 T MCE30/C-P	MCE30/C - MCE30/P	3 x 400 ~V	3	4	7,4
KDNE 32-200.1/190/A/BAQE/1/5,5/2 T MCE55/C-P	MCE55/C - MCE55/P	3 x 400 ~V	5,5	7,5	13,1
KDNE 32-200.1/207/A/BAQE/1/7,5/2 T MCE110/C-P	MCE110/C - MCE110/P	3 x 400 ~V	7,5	10	17,6

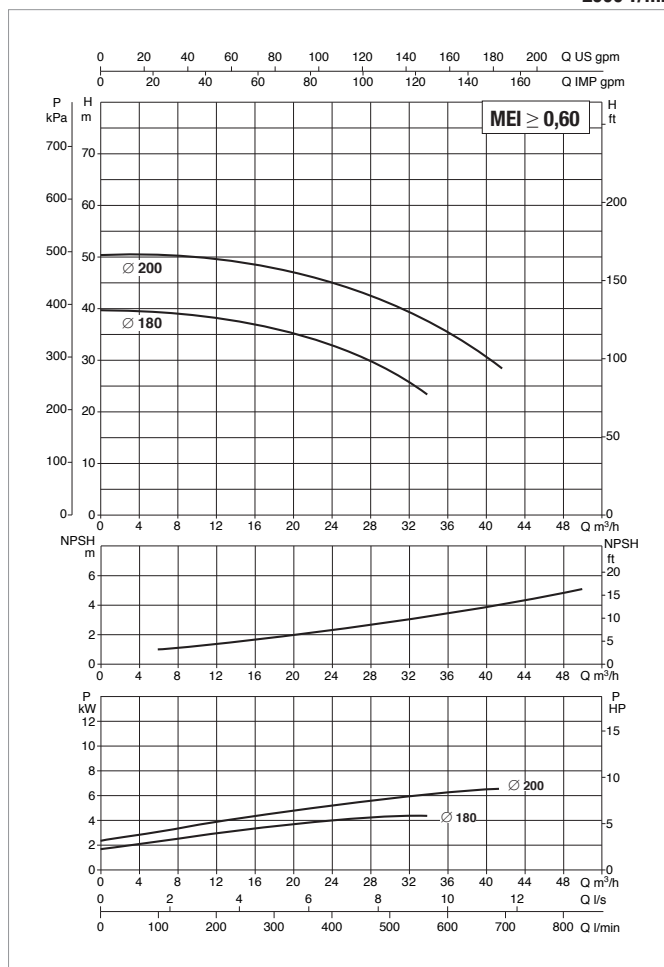
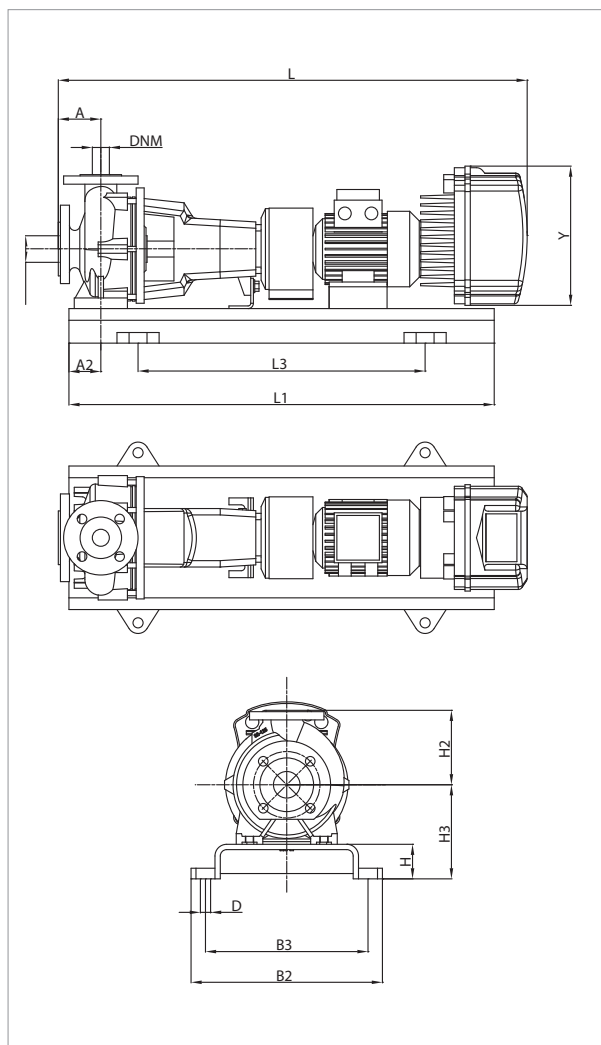
MODEL	A	A2	H2	H	H3	L1	L3	B2	B3	D	Y	FLANGE DIMENSIONS (mm)		STANDARD COUPLING		SPACER COUPLING	
												DNA	DNM	L	WEIGHT kg	L	WEIGHT kg
KDNE 32-200.1/170/A/BAQE/1/3/2 T MCE30/C-P	80	60	180	65	225	900	600	390	350	19	353	50	32	1026	149	1126	154
KDNE 32-200.1/190/A/BAQE/1/5,5/2 T MCE55/C-P	80	60	180	80	240	1000	660	450	400	24	353	50	32	1159	152	1259	157
KDNE 32-200.1/207/A/BAQE/1/7,5/2 T MCE110/C-P	80	60	180	80	240	1000	660	450	400	24	426	50	32	1209	179	1309	184

# KDNE 32-200 - 2 POLES - STANDARDISED CENTRIFUGAL ELECTRIC PUMPS WITH INVERTER FOR CIRCULATION OR PRESSURISATION SYSTEMS

MCE-C

MCE-P

Pumped liquid temperature range: from -10 °C to +140 °C (MCE/C) - from -10 °C to +80 °C (MCE/P) - Maximum ambient temperature: +40 °C  
= 2900 1/min



See hydraulic efficiency details on page 241.

The performance curves are based on kinematic viscosity values = 1 mm²/s and density equal to 1000 kg/m³. Curve tolerance according to ISO 9906.

MODEL	MCE MODEL	POWER INPUT 50 Hz	P2 NOMINAL		In A
			kW	HP	
KDNE 32-200/180/A/BAQE/1/5,5/2 T MCE55/C-P	MCE55/C - MCE55/P	3 x 400 ~V	5,5	7,5	13,1
KDNE 32-200/200/A/BAQE/1/7,5/2 T MCE110/C-P	MCE110/C - MCE110/P	3 x 400 ~V	7,5	10	17,6

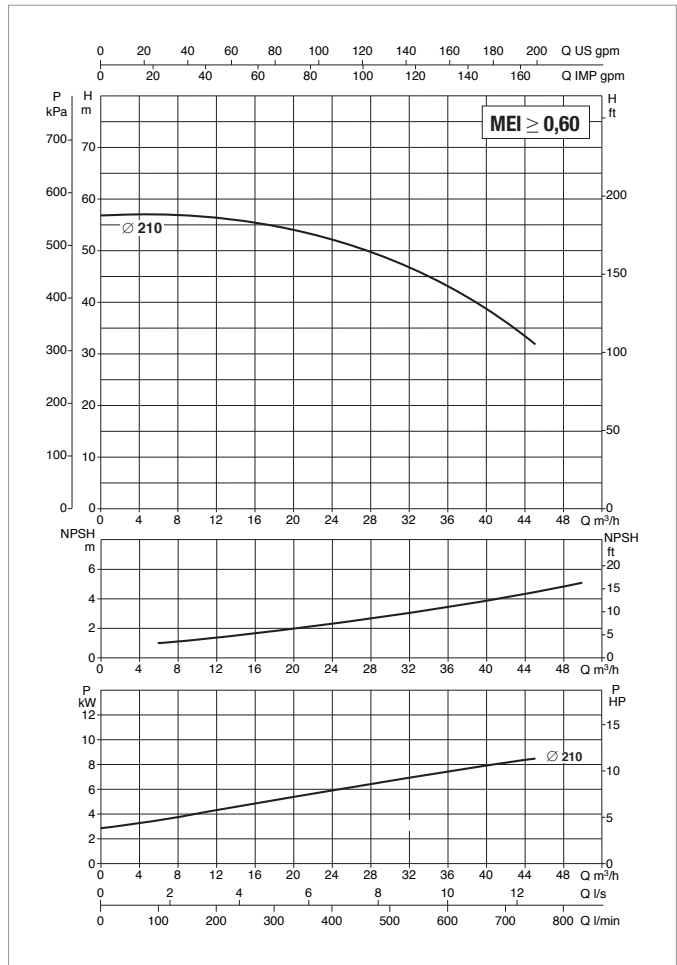
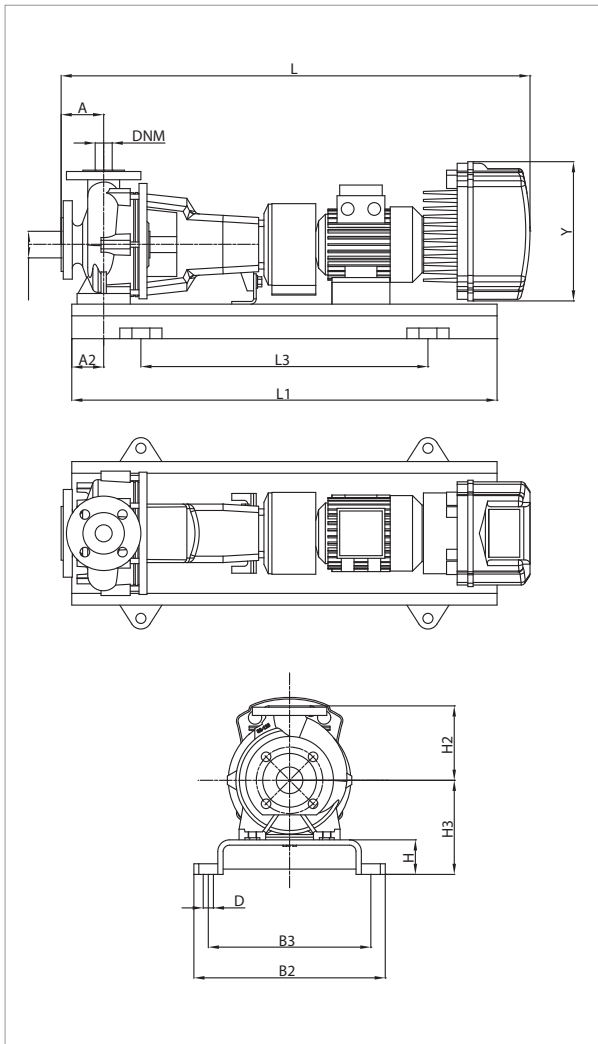
MODEL	A	A2	H2	H	H3	L1	L3	B2	B3	D	Y	FLANGE DIMENSIONS (mm)		STANDARD COUPLING		SPACER COUPLING	
												DNA	DNM	L	WEIGHT kg	L	WEIGHT kg
KDNE 32-200/180/A/BAQE/1/5,5/2 T MCE55/C-P	80	60	180	80	240	1000	660	450	400	24	353	50	32	1159	152	1259	157
KDNE 32-200/200/A/BAQE/1/7,5/2 T MCE110/C-P	80	60	180	80	240	1000	660	450	400	24	426	50	32	1209	190	1309	195

# KDNE 32-200 - 2 POLES - STANDARDISED CENTRIFUGAL ELECTRIC PUMPS WITH INVERTER FOR CIRCULATION SYSTEMS



Pumped liquid temperature range: from -10 °C to +140 °C (MCE/C) - Maximum ambient temperature: +40 °C

= 2900 1/min



See hydraulic efficiency details on page 241.

The performance curves are based on kinematic viscosity values = 1 mm²/s and density equal to 1000 kg/m³. Curve tolerance according to ISO 9906.

MODEL	MCE MODEL	POWER INPUT 50 Hz	P2 NOMINAL		In A
			kW	HP	
KDNE 32-200/210/A/BAQE/1/11/2 T MCE110/C	MCE110/C	3 x 400 ~V	11	15	25,5

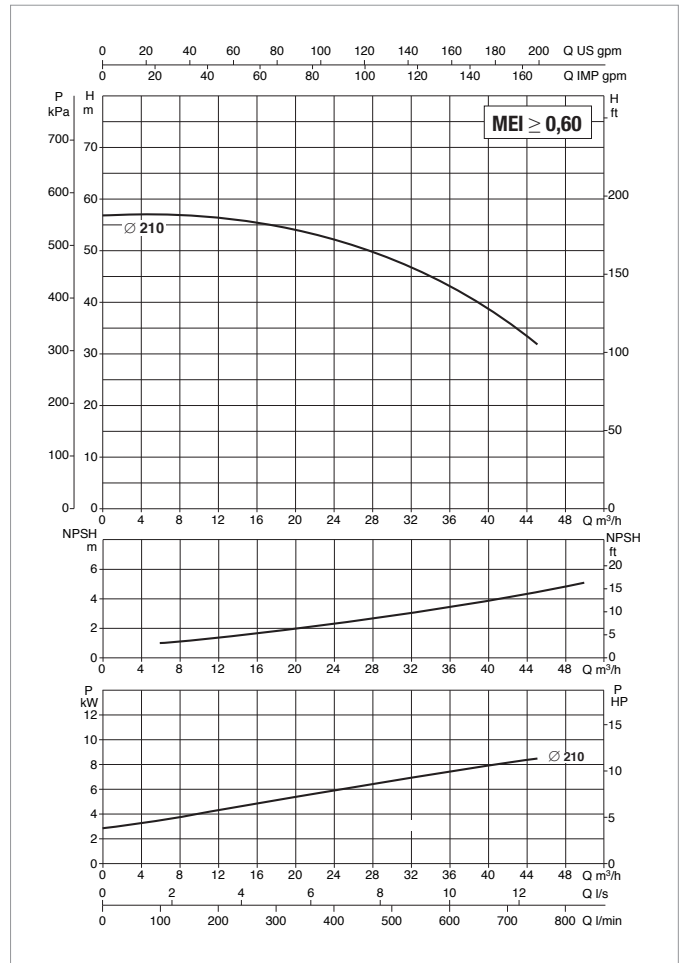
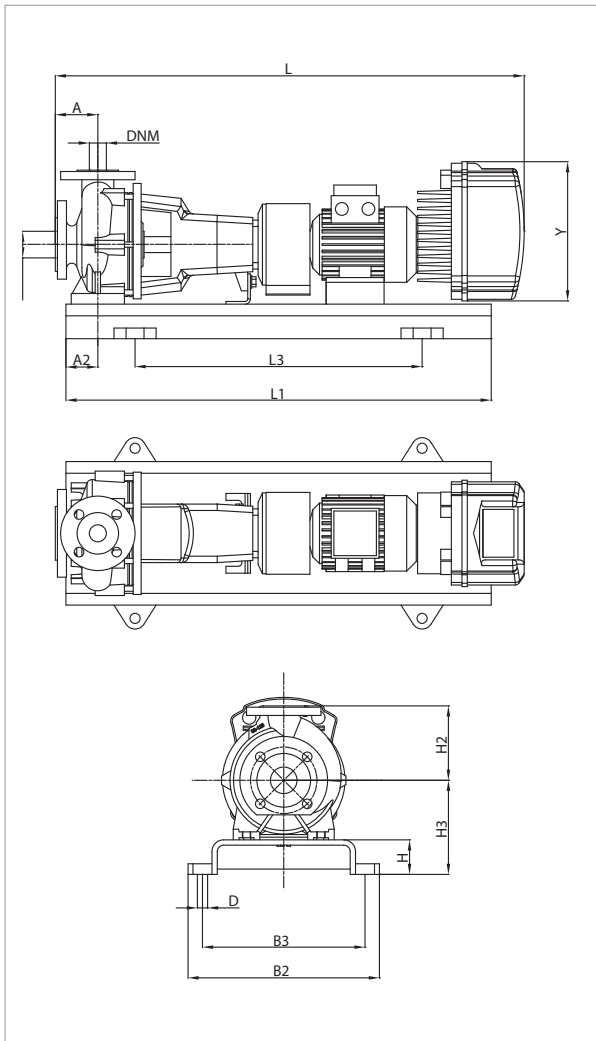
MODEL	A	A2	H2	H	H3	L1	L3	B2	B3	D	Y	FLANGE DIMENSIONS (mm)		STANDARD COUPLING		SPACER COUPLING	
												DNA	DNM	L	WEIGHT kg	L	WEIGHT kg
												KDNE 32-200/210/A/BAQE/1/11/2 T MCE110/C	80	60	180	80	240

# KDNE 32-200 - 2 POLES - STANDARDISED CENTRIFUGAL ELECTRIC PUMPS WITH INVERTER FOR PRESSURISATI TEMS



Pumped liquid temperature range: from -10 °C to +80 °C (MCE/P) - Maximum ambient temperature: +40 °C

= 2900 1/min



See hydraulic efficiency details on page 241.

The performance curves are based on kinematic viscosity values = 1 mm²/s and density equal to 1000 kg/m³. Curve tolerance according to ISO 9906.

MODEL	MCE MODEL	POWER INPUT 50 Hz	P2 NOMINAL		In A
			kW	HP	
KDNE 32-200/210/A/BAQE/1/ 11/2 MCE150/P	MCE150/P	3 x 400 ~V	11	15	25,5

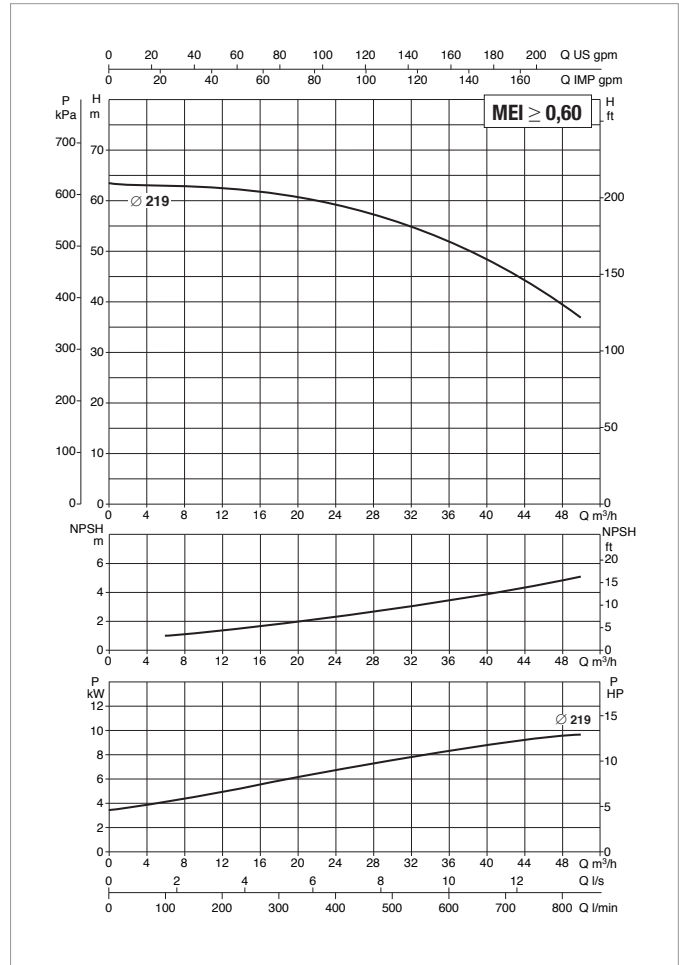
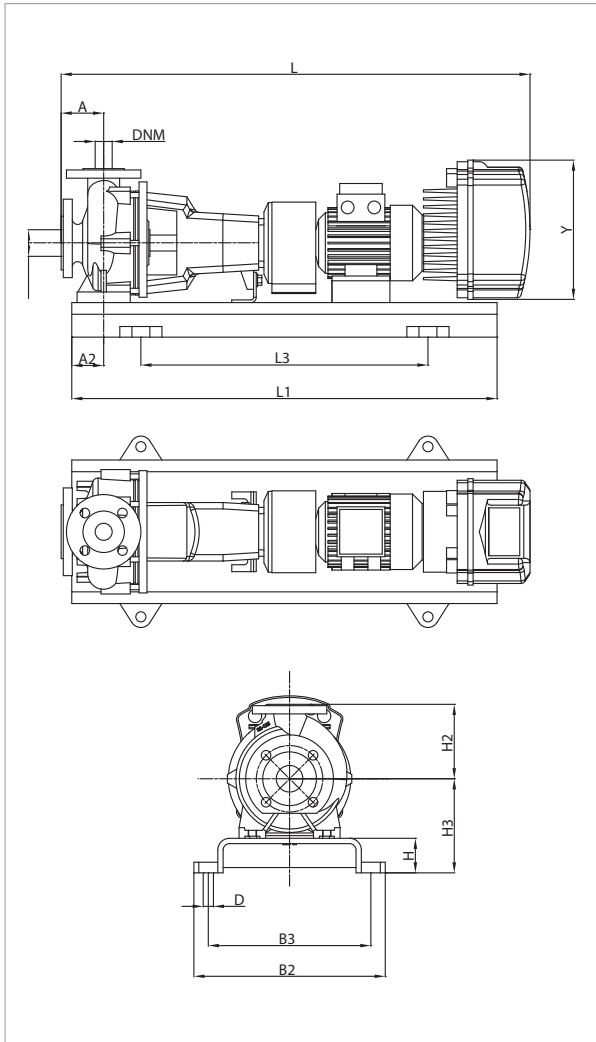
MODEL	A	A2	H2	H	H3	L1	L3	B2	B3	D	Y	FLANGE DIMENSIONS (mm)		STANDARD COUPLING		SPACER COUPLING	
												DNA	DNM	L	WEIGHT kg	L	WEIGHT kg
												KDNE 32-200/210/A/BAQE/1/ 11/2 MCE150/P	80	60	180	80	240



# KDNE 32-200 - 2 POLES - STANDARDISED CENTRIFUGAL ELECTRIC PUMPS WITH INVERTER FOR CIRCULATION OR PRESSURISATION SYSTEMS



Pumped liquid temperature range: from -10 °C to +140 °C (MCE/C) - from -10 °C to +80 °C (MCE/P) - Maximum ambient temperature: +40 °C = 2900 1/min



See hydraulic efficiency details on page 241.

The performance curves are based on kinematic viscosity values = 1 mm²/s and density equal to 1000 kg/m³. Curve tolerance according to ISO 9906.

MODEL	MCE MODEL	POWER INPUT 50 Hz	P2 NOMINAL		In A
			kW	HP	
KDNE 32-200/219/A/BAQE/1/15/2 T MCE150/C-P	MCE150/C - MCE150/P	3 x 400 ~V	15	20	34,0

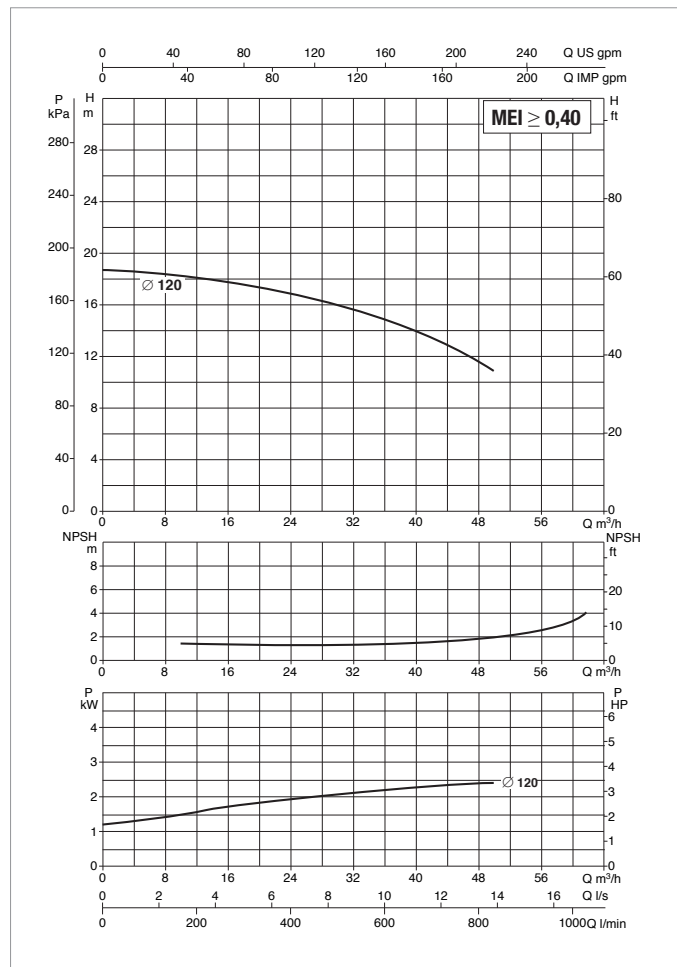
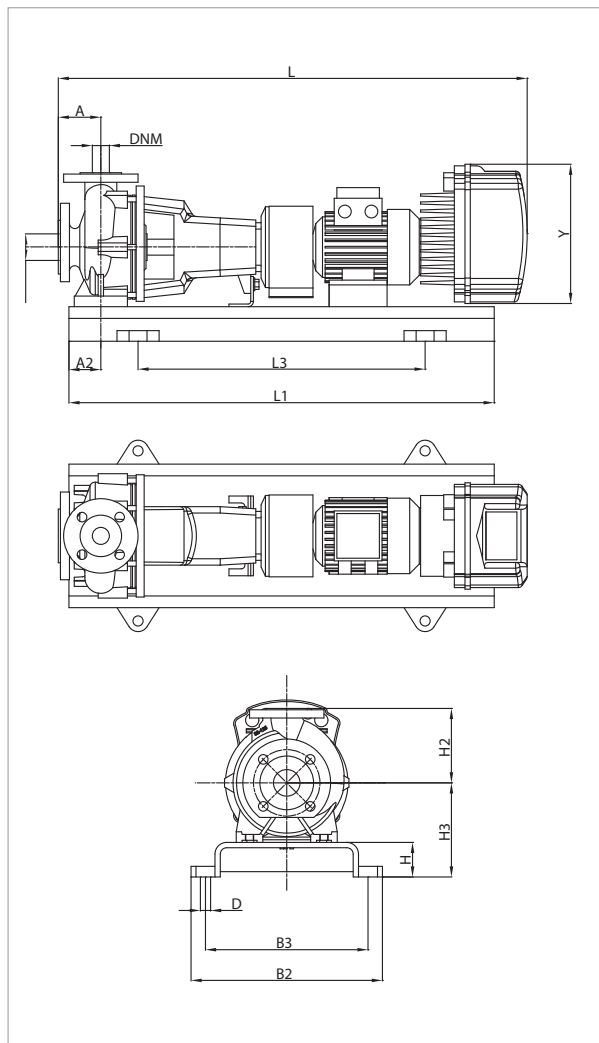
MODEL	A	A2	H2	H	H3	L1	L3	B2	B3	D	Y	FLANGE DIMENSIONS (mm)		STANDARD COUPLING		SPACER COUPLING	
												DNA	DNM	L	WEIGHT kg	L	WEIGHT kg
												KDNE 32-200/219/A/BAQE/1/15/2 T MCE150/C-P	80	60	180	80	240

# KDNE 40-125 - 2 POLES - STANDARDISED CENTRIFUGAL ELECTRIC PUMPS WITH INVERTER FOR CIRCULATION SYSTEMS



Pumped liquid temperature range: from -10 °C to +140 °C (MCE/C) - Maximum ambient temperature: +40 °C

= 2900 1/min



See hydraulic efficiency details on page 241.

The performance curves are based on kinematic viscosity values = 1 mm²/s and density equal to 1000 kg/m³. Curve tolerance according to ISO 9906.

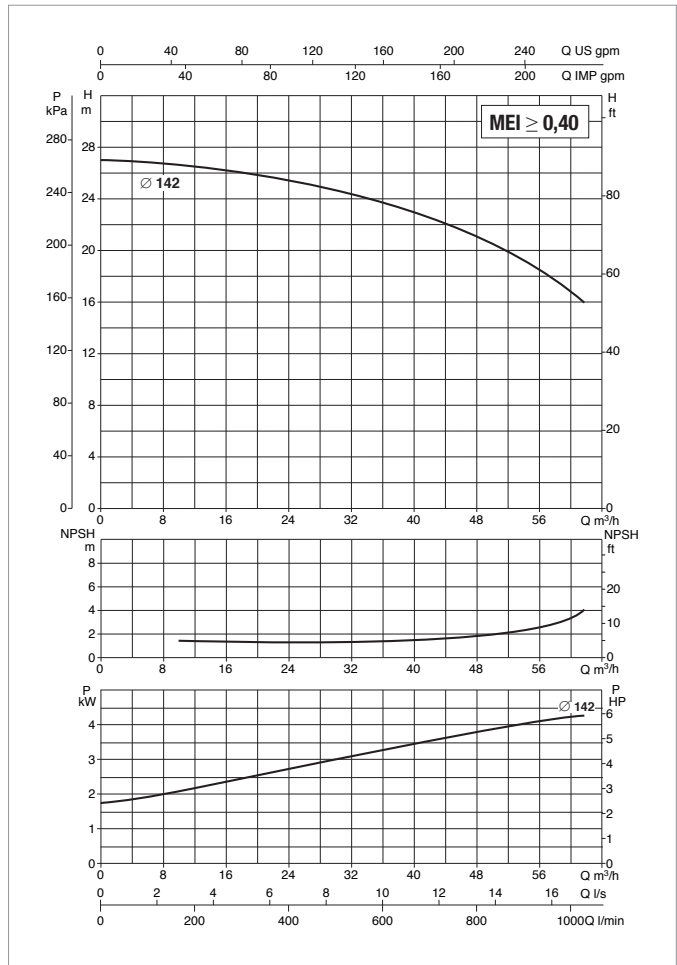
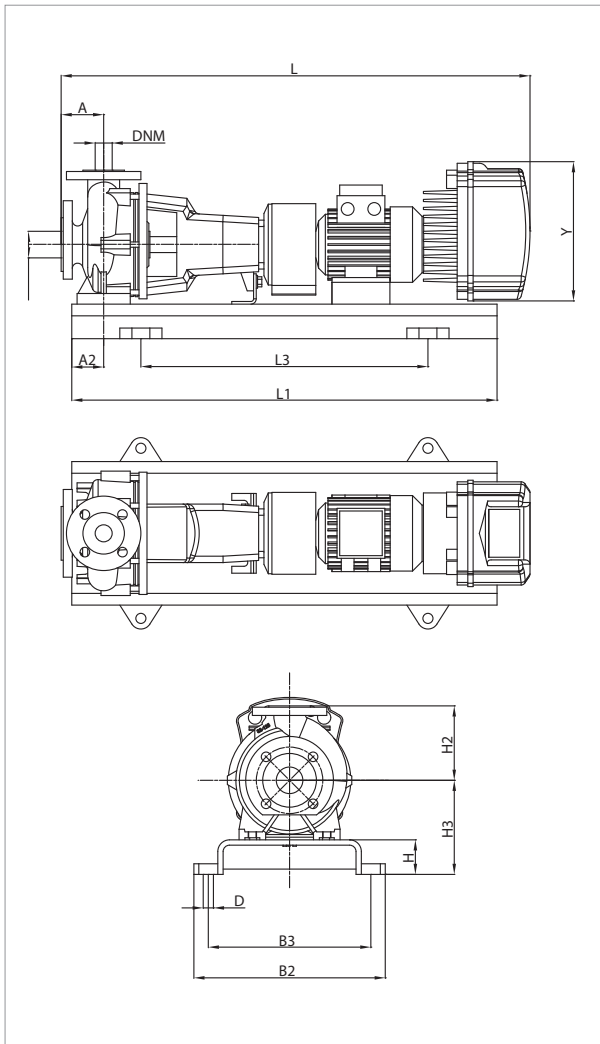
MODEL	MCE MODEL	POWER INPUT 50 Hz	P2 NOMINAL		In A
			kW	HP	
KDNE 40-125/120/A/BAQE/1/3/2 T MCE30/C	MCE30/C	3 x 400 ~V	3	4	7,4

MODEL	A	A2	H2	H	H3	L1	L3	B2	B3	D	Y	FLANGE DIMENSIONS (mm)		STANDARD COUPLING		SPACER COUPLING	
												DNA	DNM	L	WEIGHT kg	L	WEIGHT kg
												KDNE 40-125/120/A/BAQE/1/3/2 T MCE30/C	80	60	140	65	177

# KDNE 40-125 - 2 POLES - STANDARDISED CENTRIFUGAL ELECTRIC PUMPS WITH INVERTER FOR CIRCULATION OR PRESSURISATION SYSTEMS



Pumped liquid temperature range: from -10 °C to +140 °C (MCE/C) - from -10 °C to +80 °C (MCE/P) - Maximum ambient temperature: +40 °C = 2900 l/min



See hydraulic efficiency details on page 241.

The performance curves are based on kinematic viscosity values = 1 mm<sup>2</sup>/s and density equal to 1000 kg/m<sup>3</sup>. Curve tolerance according to ISO 9906.

MODEL	MCE MODEL	POWER INPUT 50 Hz	P2 NOMINAL		In A
			kW	HP	
KDNE 40-125/142/A/BAQE/1/5,5/2 T MCE55/C-P	MCE55/C - MCE55/P	3 x 400 ~V	5,5	7,5	13,1

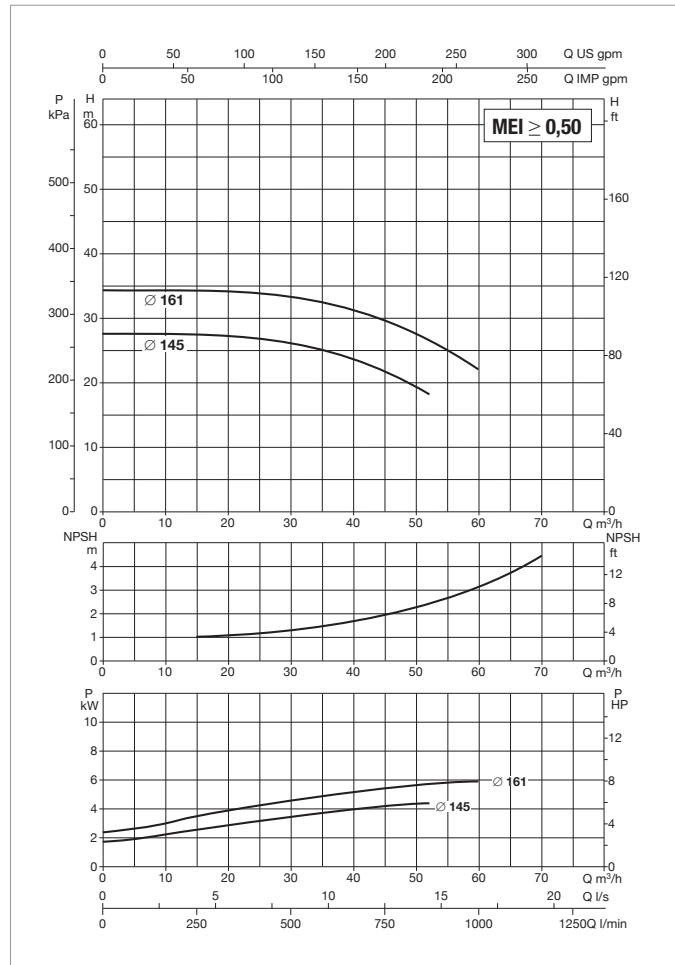
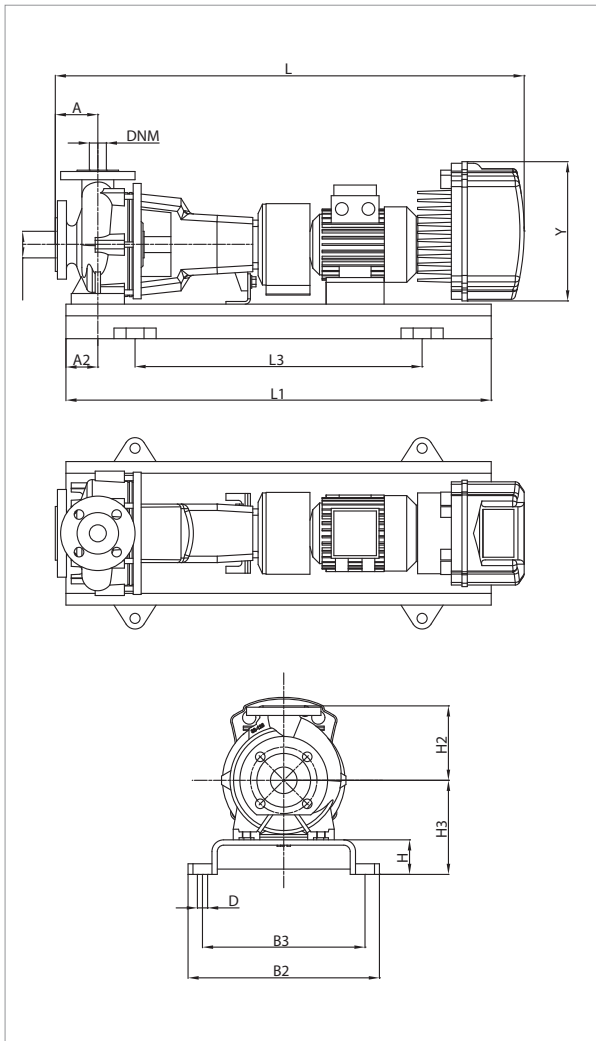
MODEL	A	A2	H2	H	H3	L1	L3	B2	B3	D	Y	FLANGE DIMENSIONS (mm)		STANDARD COUPLING		SPACER COUPLING	
												DNA	DNM	L	WEIGHT kg	L	WEIGHT kg
												KDNE 40-125/142/A/BAQE/1/5,5/2 T MCE55/C-P	80	60	140	80	212

# KDNE 40-160 - 2 POLES - STANDARDISED CENTRIFUGAL ELECTRIC PUMPS WITH INVERTER FOR CIRCULATION OR PRESSURISATION SYSTEMS

MCE-C

MCE-P

Pumped liquid temperature range: from -10 °C to +140 °C (MCE/C) - from -10 °C to +80 °C (MCE/P) - Maximum ambient temperature: +40 °C  
= 2900 1/min



See hydraulic efficiency details on page 241.

The performance curves are based on kinematic viscosity values = 1 mm²/s and density equal to 1000 kg/m³. Curve tolerance according to ISO 9906.

MODEL	MCE MODEL	POWER INPUT 50 Hz	P2 NOMINAL		In A
			kW	HP	
KDNE 40-160/145/A/BAQE/1/5,5/2 T MCE55/C-P	MCE55/C - MCE55/P	3 x 400 ~V	5,5	7,5	13,1
KDNE 40-160/161/A/BAQE/1/7,5/2 T MCE110/C-P	MCE110/C - MCE110/P	3 x 400 ~V	7,5	10	17,6

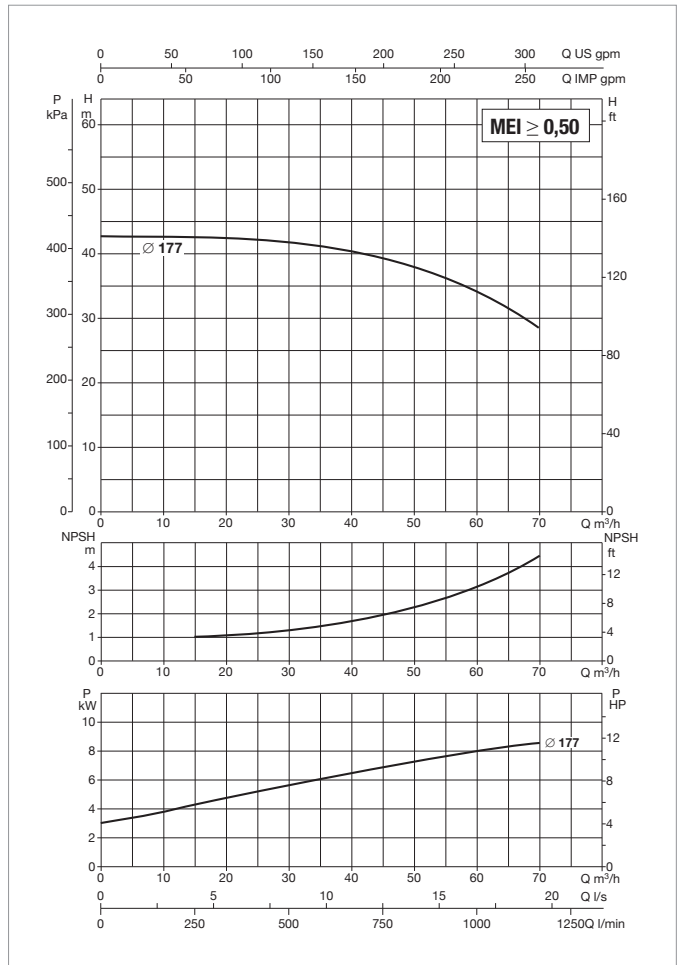
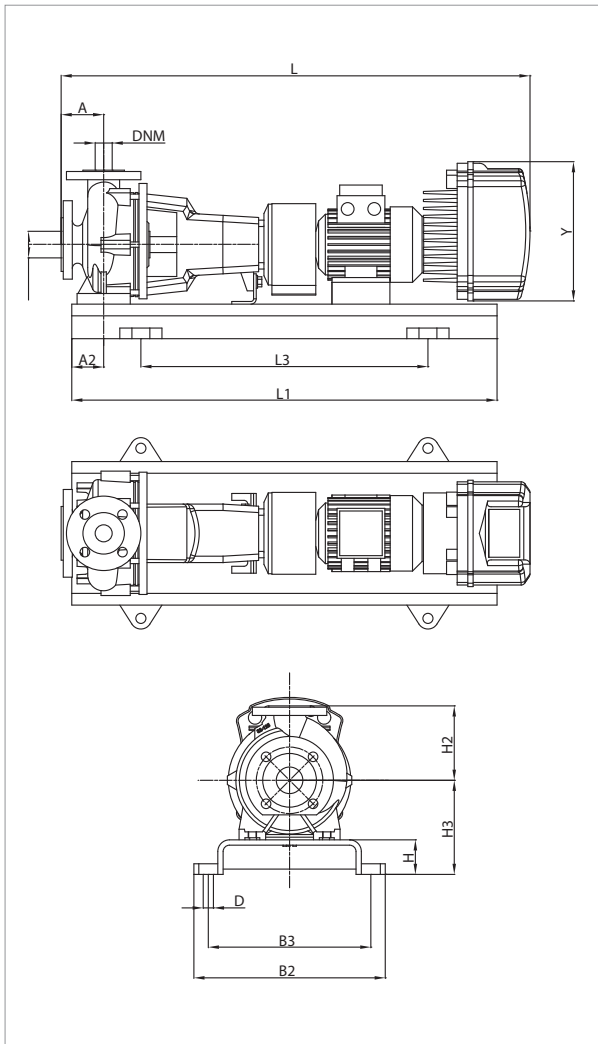
MODEL	A	A2	H2	H	H3	L1	L3	B2	B3	D	Y	FLANGE DIMENSIONS (mm)		STANDARD COUPLING		SPACER COUPLING	
												DNA	DNM	L	WEIGHT kg	L	WEIGHT kg
KDNE 40-160/145/A/BAQE/1/5,5/2 T MCE55/C-P	80	60	160	80	212	1000	660	450	400	24	353	65	40	1159	169	1259	174
KDNE 40-160/161/A/BAQE/1/7,5/2 T MCE110/C-P	80	60	160	80	212	1000	660	450	400	24	426	65	40	1209	178	1309	183

# KDNE 40-160 - 2 POLES - STANDARDISED CENTRIFUGAL ELECTRIC PUMPS WITH INVERTER FOR CIRCULATION SYSTEMS



Pumped liquid temperature range: from -10 °C to +140 °C (MCE/C) - Maximum ambient temperature: +40 °C

= 2900 1/min



See hydraulic efficiency details on page 241.

The performance curves are based on kinematic viscosity values = 1 mm²/s and density equal to 1000 kg/m³. Curve tolerance according to ISO 9906.

MODEL	MCE MODEL	POWER INPUT 50 Hz	P2 NOMINAL		In A
			kW	HP	
KDNE 40-160/177/A/BAQE/1/11/2 T MCE110/C	MCE110/C	3 x 400 ~V	11	15	25,5

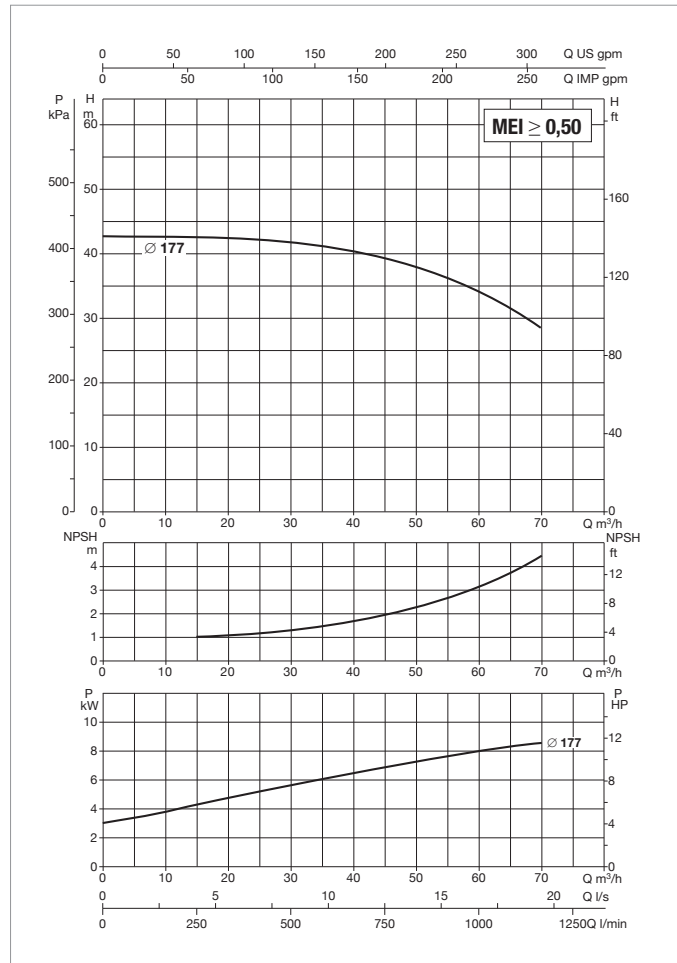
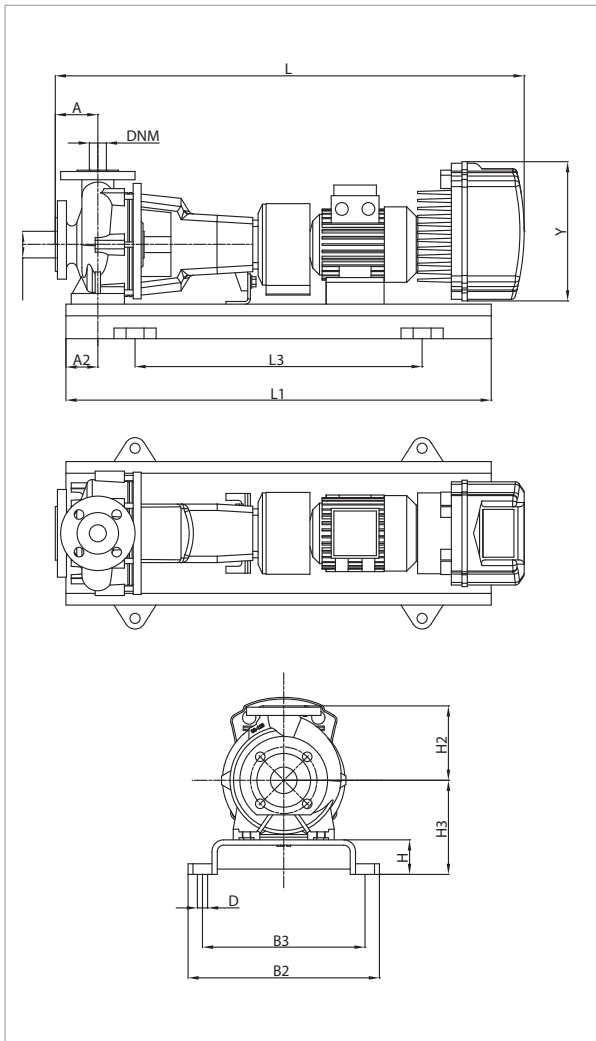
MODEL	A	A2	H2	H	H3	L1	L3	B2	B3	D	Y	FLANGE DIMENSIONS (mm)		STANDARD COUPLING		SPACER COUPLING	
												DNA	DNM	L	WEIGHT kg	L	WEIGHT kg
												KDNE 40-160/177/A/BAQE/1/11/2 T MCE110/C	80	60	160	80	240

# KDNE 40-160 - 2 POLES - STANDARDISED CENTRIFUGAL ELECTRIC PUMPS WITH INVERTER FOR PRESSURISATION SYSTEMS



Pumped liquid temperature range: from -10 °C to +80 °C (MCE/P) - Maximum ambient temperature: +40 °C

= 2900 1/min



See hydraulic efficiency details on page 241.

The performance curves are based on kinematic viscosity values = 1 mm²/s and density equal to 1000 kg/m³. Curve tolerance according to ISO 9906.

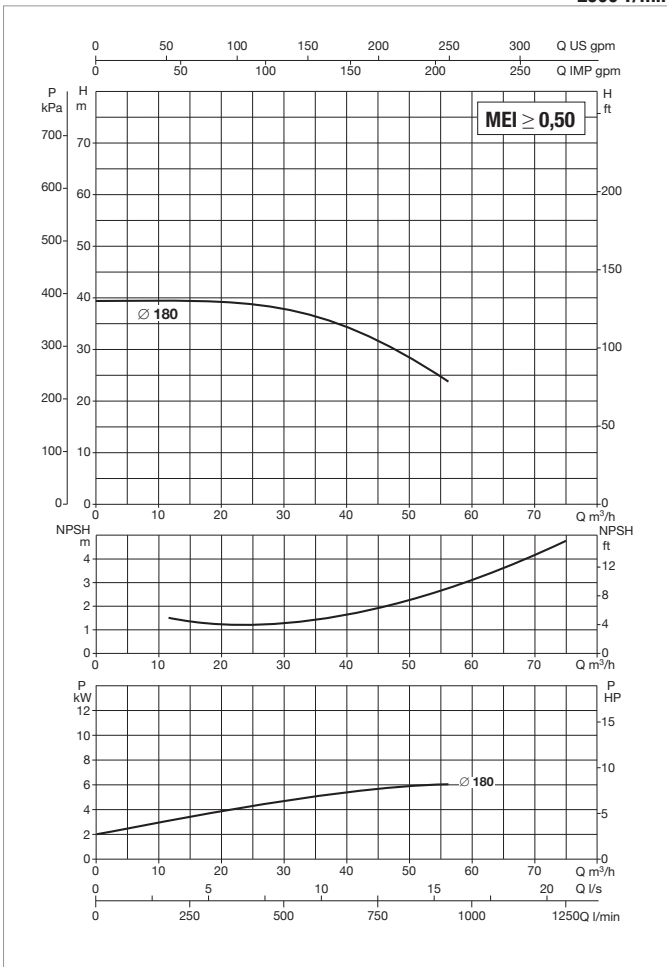
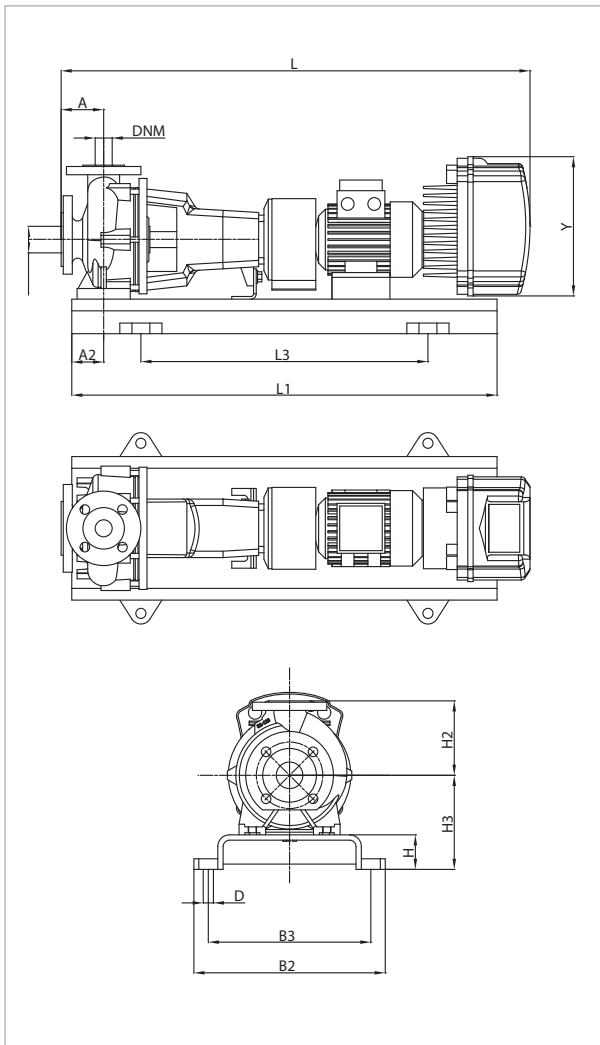
MODEL	MCE MODEL	POWER INPUT 50 Hz	P2 NOMINAL		In A
			kW	HP	
KDNE 40-160/177/A/BAQE/1/11/2 MCE150/P	MCE150/P	3 x 400 ~V	11	15	25,5

MODEL	A	A2	H2	H	H3	L1	L3	B2	B3	D	Y	FLANGE DIMENSIONS (mm)		STANDARD COUPLING		SPACER COUPLING	
												DNA	DNM	L	WEIGHT kg	L	WEIGHT kg
												KDNE 40-160/177/A/BAQE/1/11/2 MCE150/P	80	60	160	80	240

# KDNE 40-200 - 2 POLES - STANDARDISED CENTRIFUGAL ELECTRIC PUMPS WITH INVERTER FOR CIRCULATION OR PRESSURISATION SYSTEMS



Pumped liquid temperature range: from -10 °C to +140 °C (MCE/C) - from -10 °C to +80 °C (MCE/P) - Maximum ambient temperature: +40 °C = 2900 1/min



See hydraulic efficiency details on page 241.

The performance curves are based on kinematic viscosity values = 1 mm<sup>2</sup>/s and density equal to 1000 kg/m<sup>3</sup>. Curve tolerance according to ISO 9906.

MODEL	MCE MODEL	POWER INPUT 50 Hz	P2 NOMINAL		In A
			kW	HP	
KDNE 40-200/180/A/BAQE/1/7,5/2 T MCE110/C-P	MCE110/C - MCE110/P	3 x 400 ~V	7,5	10	17,6

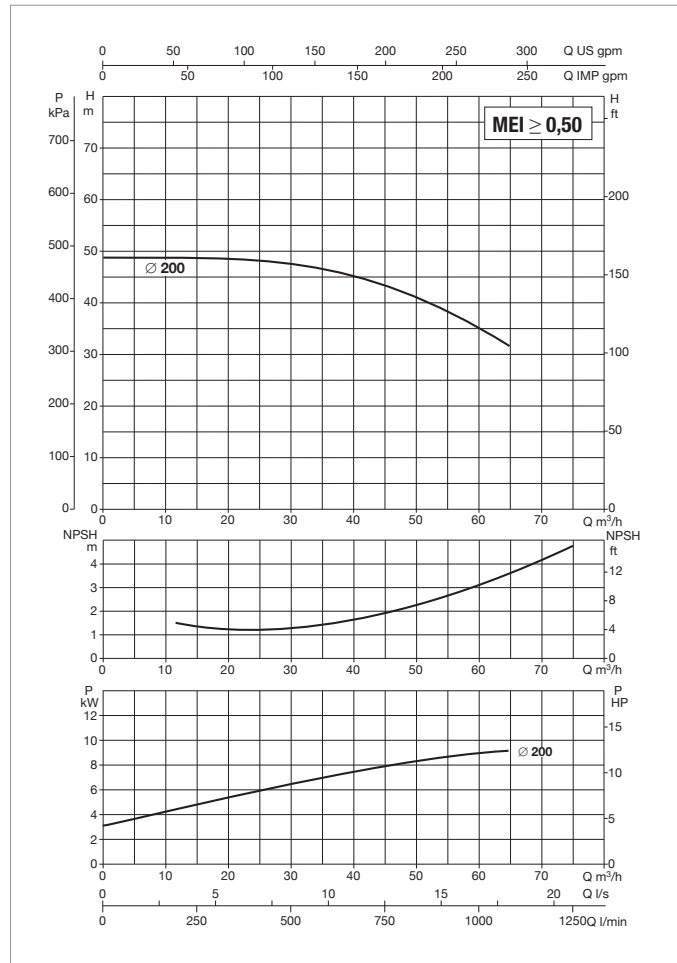
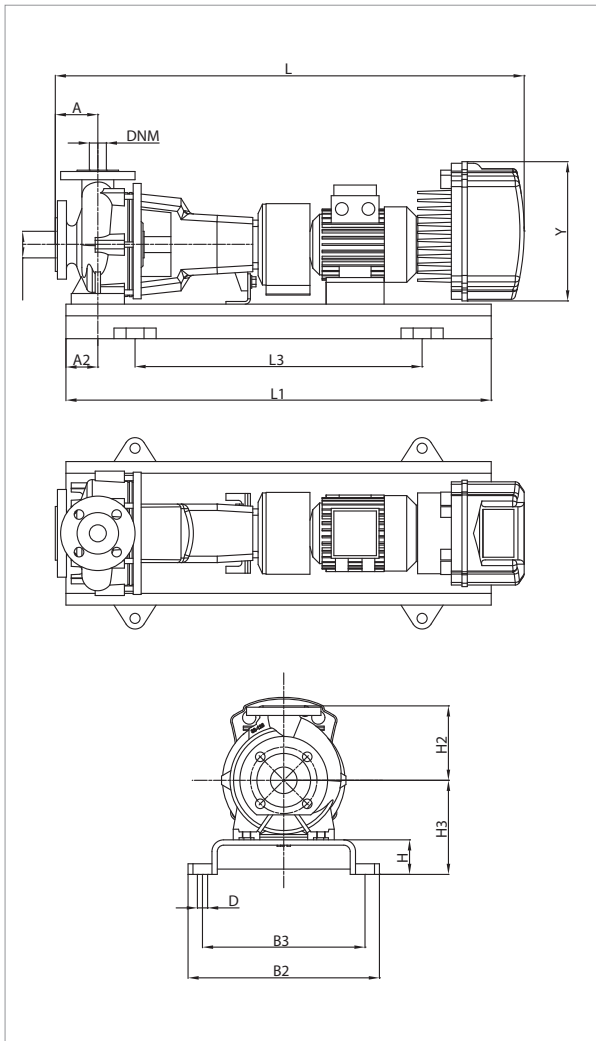
MODEL	A	A2	H2	H	H3	L1	L3	B2	B3	D	Y	FLANGE DIMENSIONS (mm)		STANDARD COUPLING		SPACER COUPLING	
												DNA	DNM	L	WEIGHT kg	L	WEIGHT kg
												KDNE 40-200/180/A/BAQE/1/7,5/2 T MCE110/C-P	100	60	180	80	240

# KDNE 40-200 - 2 POLES - STANDARDISED CENTRIFUGAL ELECTRIC PUMPS WITH INVERTER FOR CIRCULATION SYSTEMS



Pumped liquid temperature range: from -10 °C to +140 °C (MCE/C) - Maximum ambient temperature: +40 °C

= 2900 1/min



See hydraulic efficiency details on page 241.

The performance curves are based on kinematic viscosity values = 1 mm<sup>2</sup>/s and density equal to 1000 kg/m<sup>3</sup>. Curve tolerance according to ISO 9906.

MODEL	MCE MODEL	POWER INPUT 50 Hz	P2 NOMINAL		In A
			kW	HP	
KDNE 40-200/200/A/BAQE/1/11/2 T MCE110/C	MCE110/C	3 x 400 ~V	11	15	25,5

MODEL	A	A2	H2	H	H3	L1	L3	B2	B3	D	Y	FLANGE DIMENSIONS (mm)		STANDARD COUPLING		SPACER COUPLING	
												DNA	DNM	L	WEIGHT kg	L	WEIGHT kg
												KDNE 40-200/200/A/BAQE/1/11/2 T MCE110/C	100	60	180	80	240

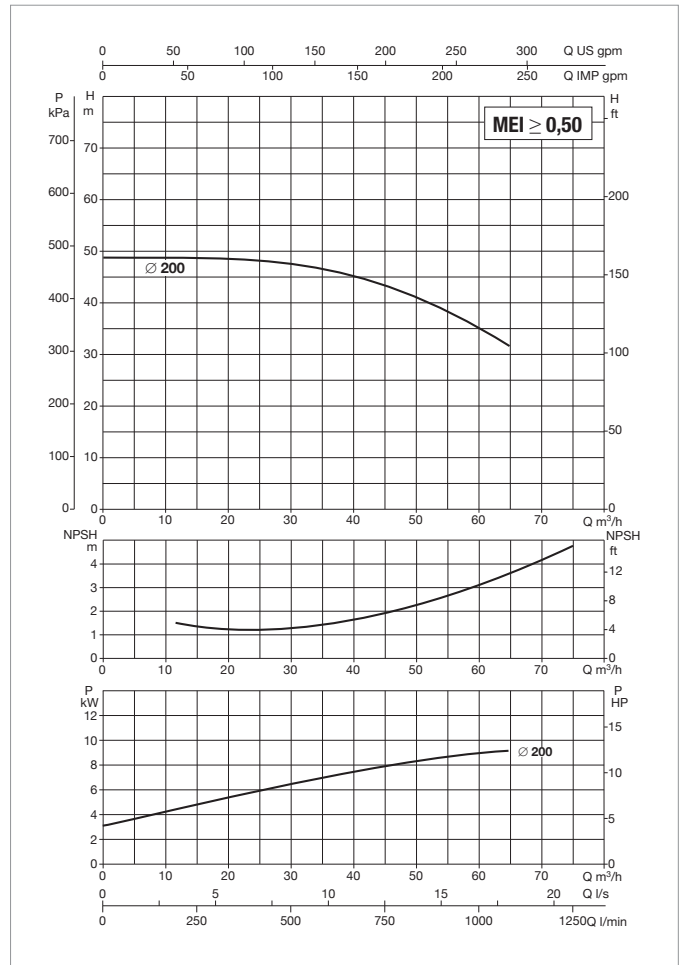
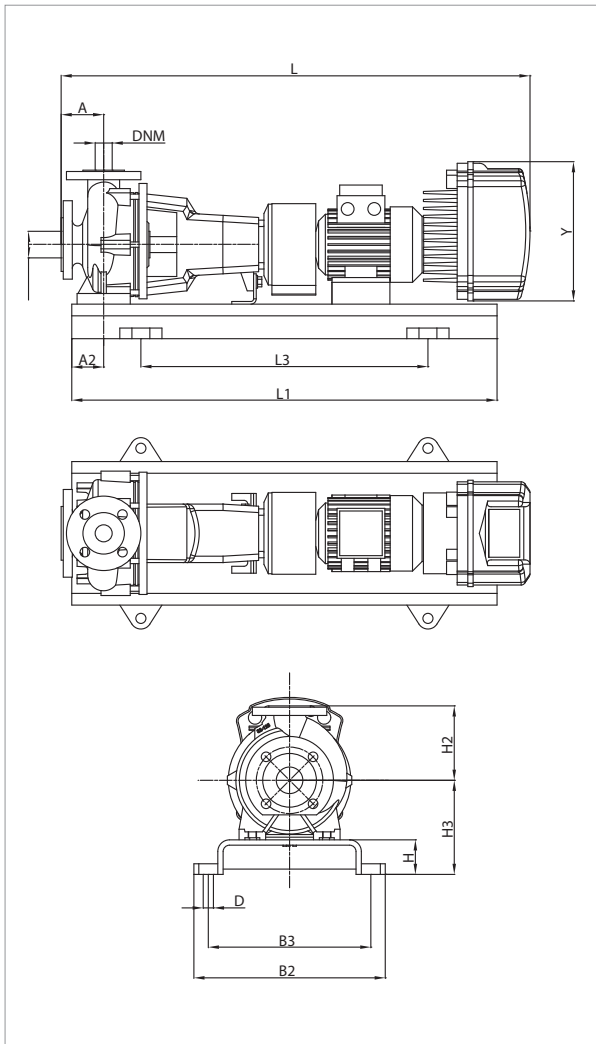


# KDNE 40-200 - 2 POLES - STANDARDISED CENTRIFUGAL ELECTRIC PUMPS WITH INVERTER FOR PRESSURIZATION SYSTEMS



Pumped liquid temperature range: from -10 °C to +80 °C (MCE/P) - Maximum ambient temperature: +40 °C

= 2900 1/min



See hydraulic efficiency details on page 241.

The performance curves are based on kinematic viscosity values = 1 mm²/s and density equal to 1000 kg/m³. Curve tolerance according to ISO 9906.

MODEL	MCE MODEL	POWER INPUT 50 Hz	P2 NOMINAL		In A
			kW	HP	
KDNE 40-200/200/A/BAQE/1/11/2 MCE150/P	MCE150/P	3 x 400 ~V	11	15	25,5

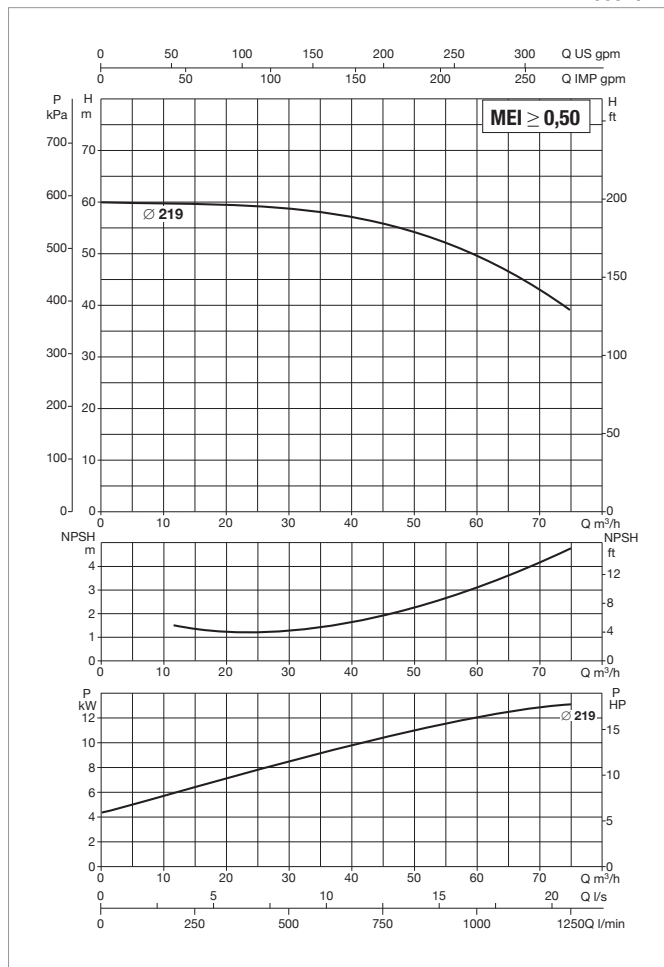
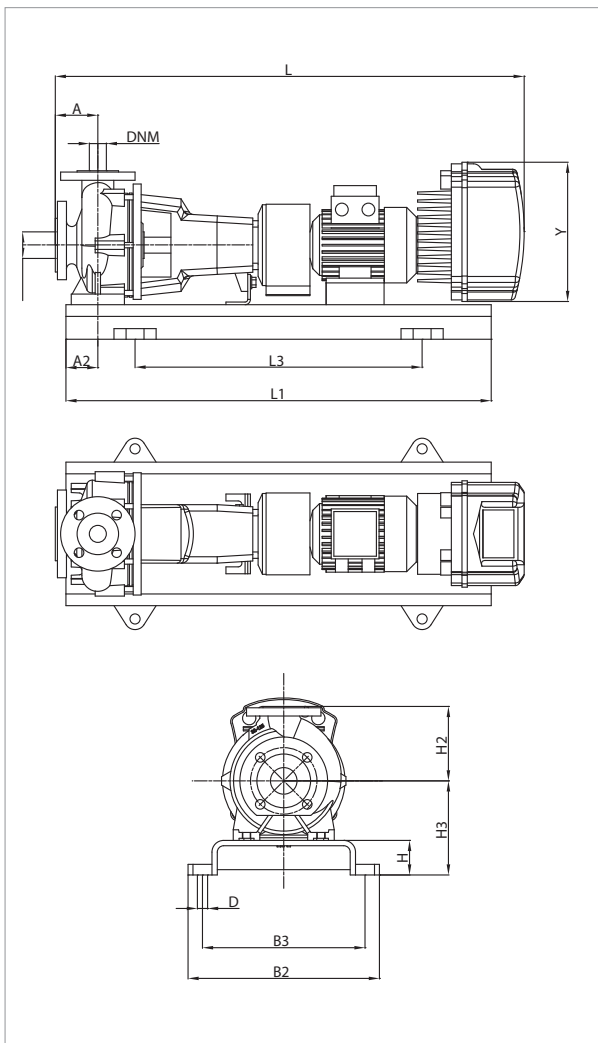
MODEL	A	A2	H2	H	H3	L1	L3	B2	B3	D	Y	FLANGE DIMENSIONS (mm)		STANDARD COUPLING		SPACER COUPLING	
												DNA	DNM	L	WEIGHT kg	L	WEIGHT kg
												KDNE 40-200/200/A/BAQE/1/11/2 MCE150/P	100	60	180	80	240

# KDNE 40-200 - 2 POLES - STANDARDISED CENTRIFUGAL ELECTRIC PUMPS WITH INVERTER FOR CIRCULATION OR PRESSURISATION SYSTEMS

MCE-C

MCE-P

Pumped liquid temperature range: from -10 °C to +140 °C (MCE/C) - from -10 °C to +80 °C (MCE/P) - Maximum ambient temperature: +40 °C  
= 2900 1/min



See hydraulic efficiency details on page 241.

The performance curves are based on kinematic viscosity values = 1 mm<sup>2</sup>/s and density equal to 1000 kg/m<sup>3</sup>. Curve tolerance according to ISO 9906.

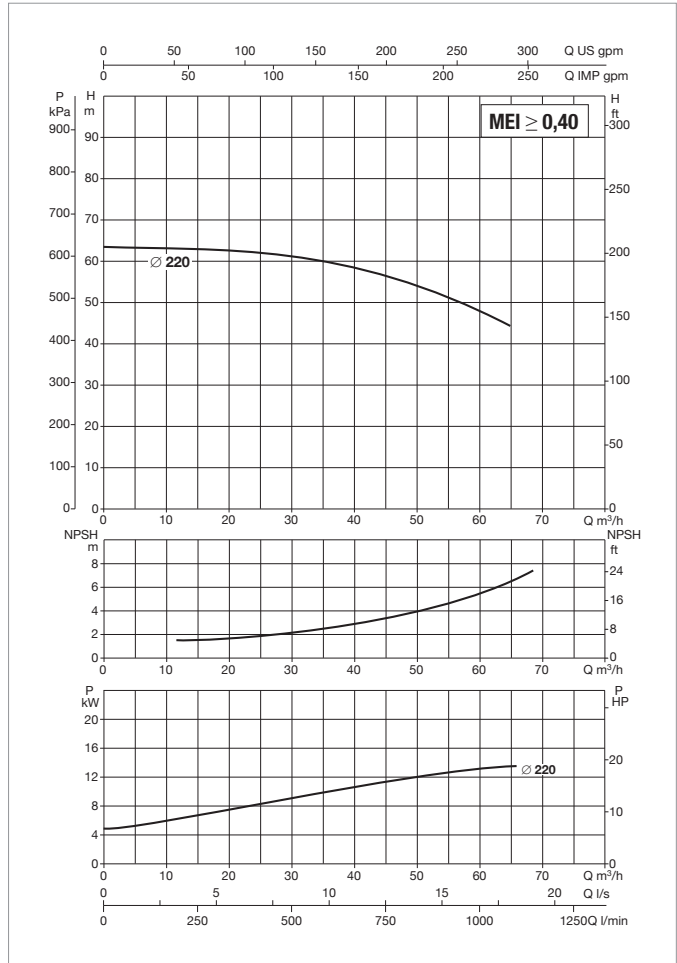
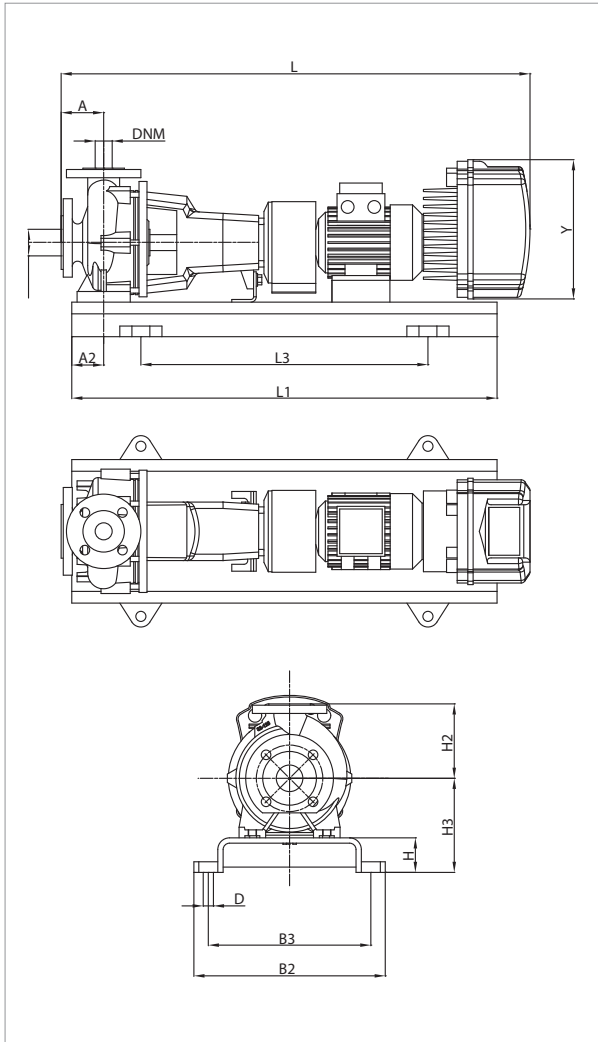
MODEL	MCE MODEL	POWER INPUT 50 Hz	P2 NOMINAL		In A
			kW	HP	
KDNE 40-200/219/A/BAQE/1/15/2 T MCE150/C-P	MCE150/C - MCE150/P	3 x 400 ~V	15	20	34,0

MODEL	A	A2	H2	H	H3	L1	L3	B2	B3	D	Y	FLANGE DIMENSIONS (mm)		STANDARD COUPLING		SPACER COUPLING	
												DNA	DNM	L	WEIGHT kg	L	WEIGHT kg
												KDNE 40-200/219/A/BAQE/1/15/2 T MCE150/C-P	100	60	180	80	240

# KDNE 40-250 - 2 POLES - STANDARDISED CENTRIFUGAL ELECTRIC PUMPS WITH INVERTER FOR CIRCULATION OR PRESSURISATION SYSTEMS



Pumped liquid temperature range: from -10 °C to +140 °C (MCE/C) - from -10 °C to +80 °C (MCE/P) - Maximum ambient temperature: +40 °C = 2900 1/min



See hydraulic efficiency details on page 241.  
The performance curves are based on kinematic viscosity values = 1 mm²/s and density equal to 1000 kg/m³. Curve tolerance according to ISO 9906.

MODEL	MCE MODEL	POWER INPUT 50 Hz	P2 NOMINAL		In A
			kW	HP	
KDNE 40-250/220/A/BAQE/1/15/2 T MCE150/C-P	MCE150/C - MCE150/P	3 x 400 ~V	15	20	34,0

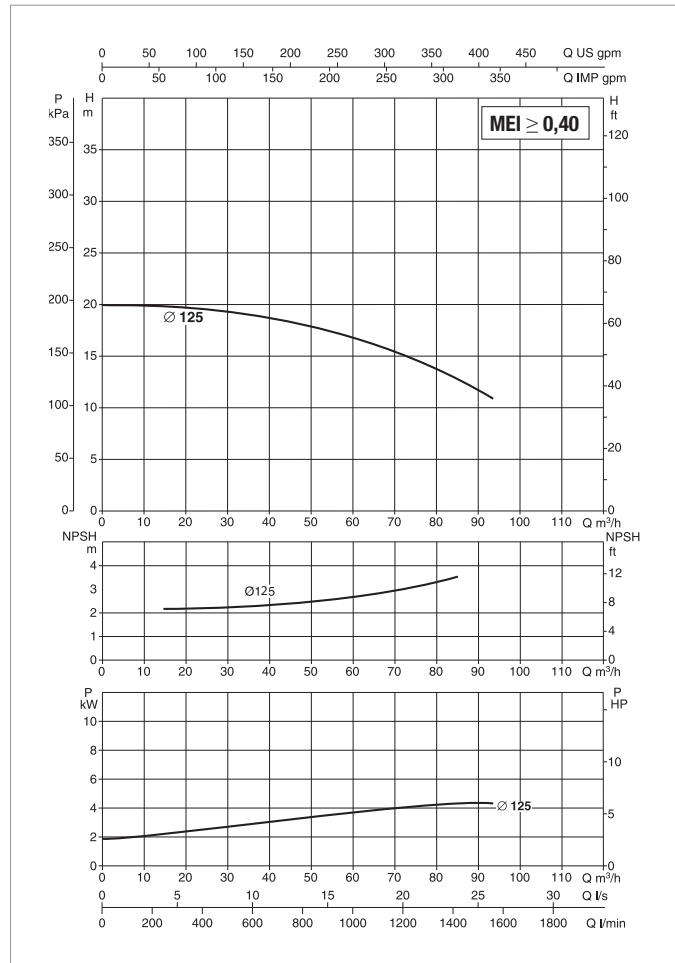
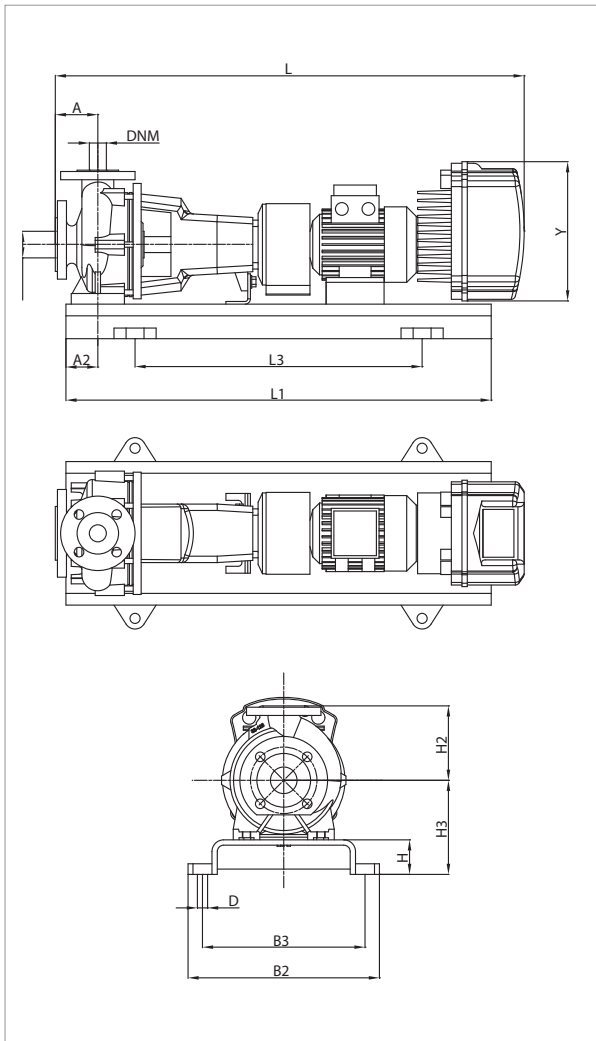
MODEL	A	A2	H2	H	H3	L1	L3	B2	B3	D	Y	FLANGE DIMENSIONS (mm)		STANDARD COUPLING		SPACER COUPLING	
												DNA	DNM	L	WEIGHT kg	L	WEIGHT kg
												KDNE 40-250/220/A/BAQE/1/15/2 T MCE150/C-P	100	75	225	80	260

# KDNE 50-125 - 2 POLES - STANDARDISED CENTRIFUGAL ELECTRIC PUMPS WITH INVERTER FOR CIRCULATION SYSTEMS



Pumped liquid temperature range: from -10 °C to +140 °C (MCE/C) - Maximum ambient temperature: +40 °C

= 2900 1/min



See hydraulic efficiency details on page 241.

The performance curves are based on kinematic viscosity values = 1 mm²/s and density equal to 1000 kg/m³. Curve tolerance according to ISO 9906.

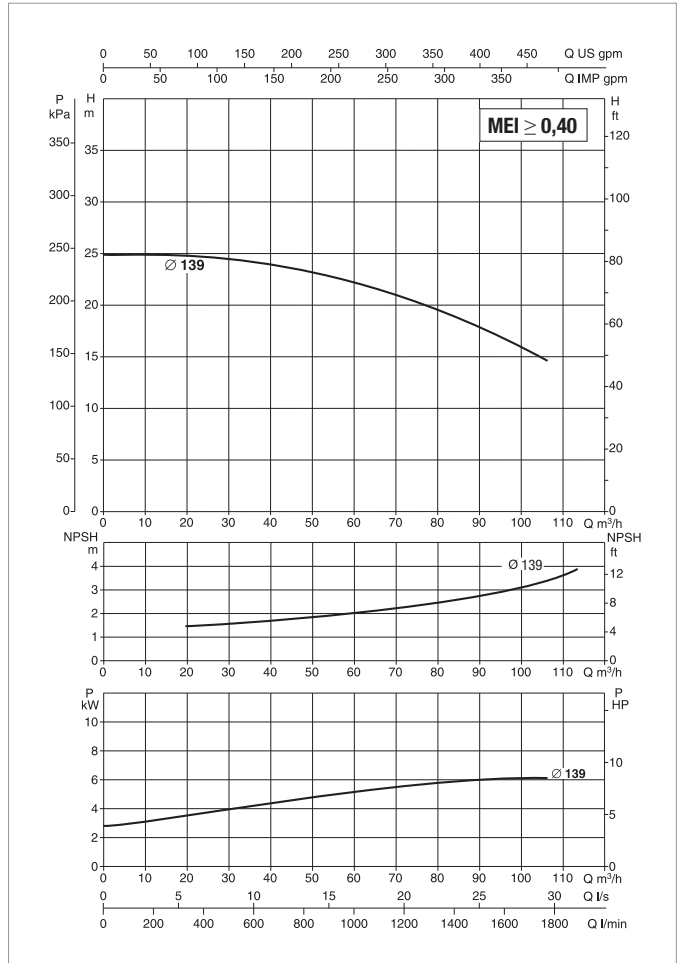
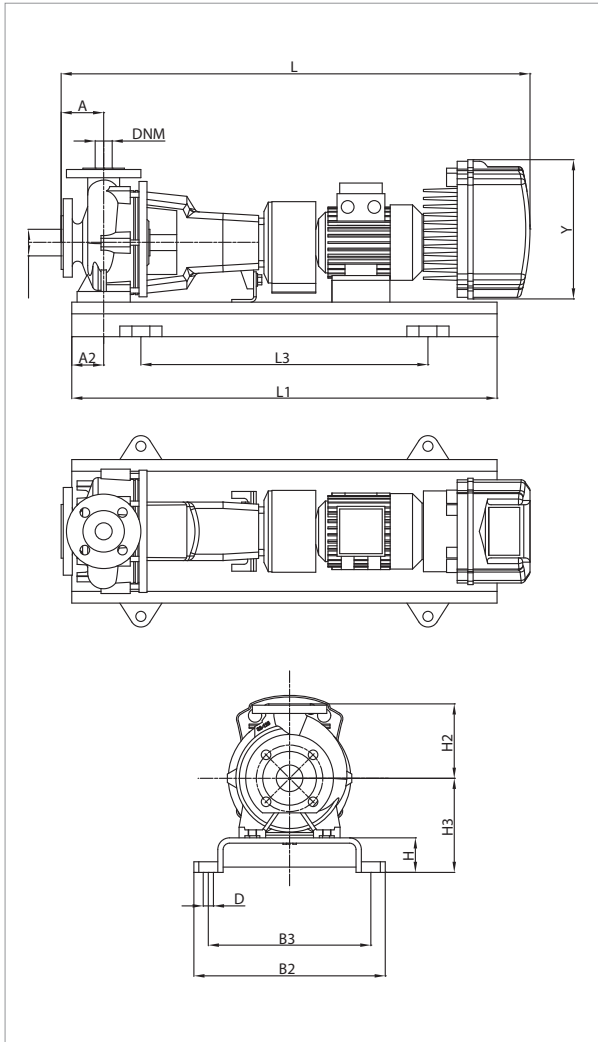
MODEL	MCE MODEL	POWER INPUT 50 Hz	P2 NOMINAL		In A
			kW	HP	
KDNE 50-125/125/A/BAQE/1/5.5/2 T MCE55/C	MCE55/C	3 x 400 ~V	5,5	7,5	13,1

MODEL	A	A2	H2	H	H3	L1	L3	B2	B3	D	Y	FLANGE DIMENSIONS (mm)		STANDARD COUPLING		SPACER COUPLING	
												DNA	DNM	L	WEIGHT kg	L	WEIGHT kg
												KDNE 50-125/125/A/BAQE/1/5.5/2 T MCE55/C	100	60	160	80	212

# KDNE 50-125 - 2 POLES - STANDARDISED CENTRIFUGAL ELECTRIC PUMPS WITH INVERTER FOR CIRCULATION OR PRESSURISATION SYSTEMS



Pumped liquid temperature range: from -10 °C to +140 °C (MCE/C) - from -10 °C to +80 °C (MCE/P) - Maximum ambient temperature: +40 °C = 2900 1/min



See hydraulic efficiency details on page 241.

The performance curves are based on kinematic viscosity values = 1 mm²/s and density equal to 1000 kg/m³. Curve tolerance according to ISO 9906.

MODEL	MCE MODEL	POWER INPUT 50 Hz	P2 NOMINAL		In A
			kW	HP	
KDNE 50-125/139/A/BAQE/1/7,5/2 T MCE110/C-P	MCE110/C - MCE110/P	3 x 400 ~V	7,5	10	17,6

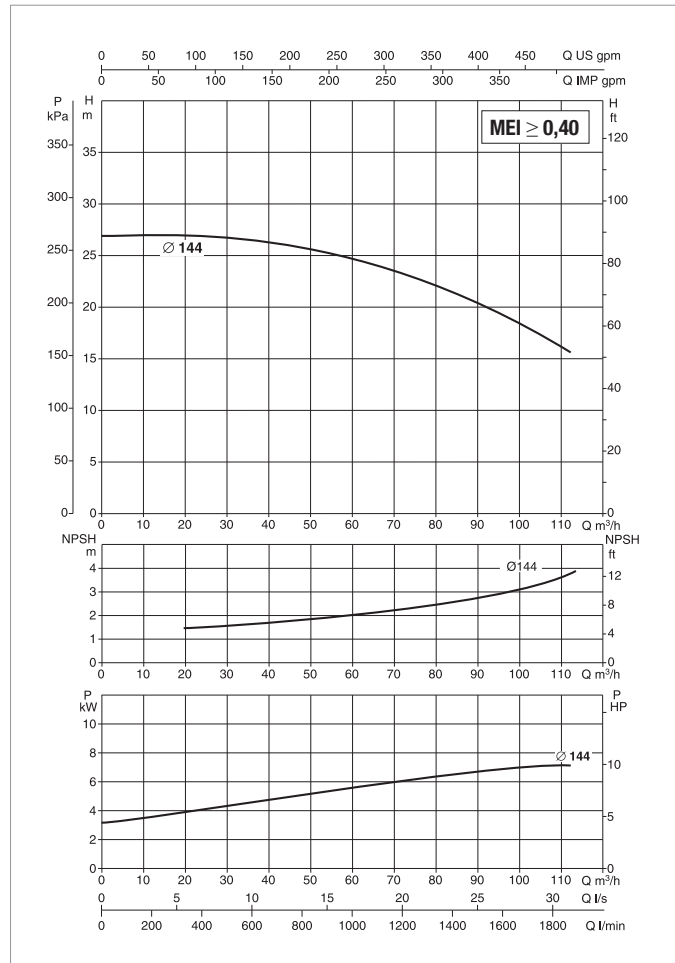
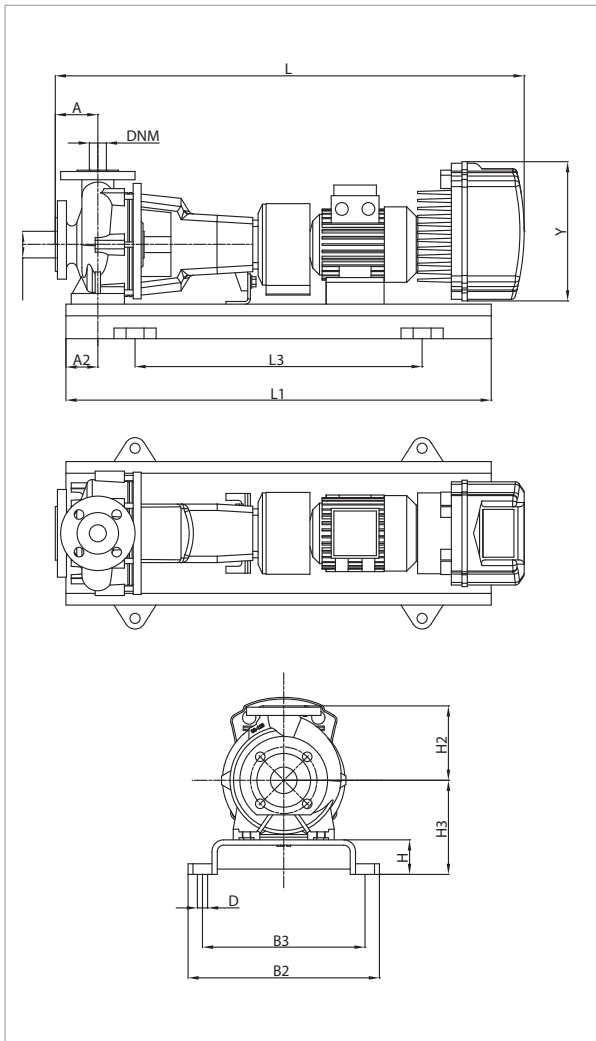
MODEL	A	A2	H2	H	H3	L1	L3	B2	B3	D	Y	FLANGE DIMENSIONS (mm)		STANDARD COUPLING		SPACER COUPLING	
												DNA	DNM	L	WEIGHT kg	L	WEIGHT kg
												KDNE 50-125/139/A/BAQE/1/7,5/2 T MCE110/C-P	100	60	160	80	212

# KDNE 50-125 - 2 POLES - STANDARDISED CENTRIFUGAL ELECTRIC PUMPS WITH INVERTER FOR CIRCULATION SYSTEMS



Pumped liquid temperature range: from -10 °C to +140 °C (MCE/C) - Maximum ambient temperature: +40 °C

= 2900 1/min



See hydraulic efficiency details on page 241.

The performance curves are based on kinematic viscosity values = 1 mm²/s and density equal to 1000 kg/m³. Curve tolerance according to ISO 9906.

MODEL	MCE MODEL	POWER INPUT 50 Hz	P2 NOMINAL		In A
			kW	HP	
KDNE 50-125/144/A/BAQE/1/11/2 T MCE110/C	MCE110/C	3 x 400 ~V	11	15	25,5

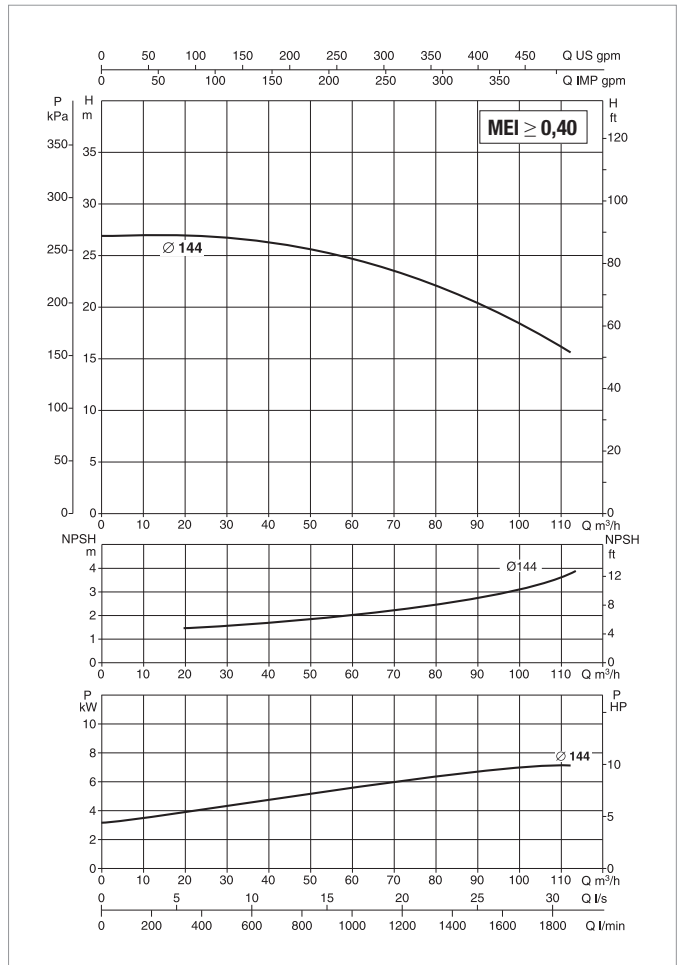
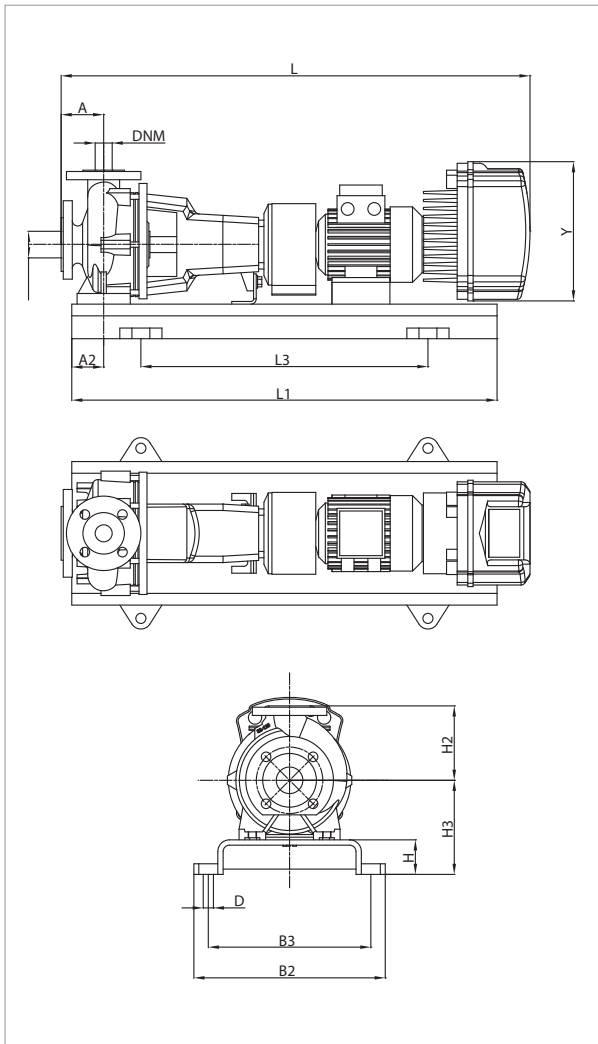
MODEL	A	A2	H2	H	H3	L1	L3	B2	B3	D	Y	FLANGE DIMENSIONS (mm)		STANDARD COUPLING		SPACER COUPLING	
												DNA	DNM	L	WEIGHT kg	L	WEIGHT kg
												KDNE 50-125/144/A/BAQE/1/11/2 T MCE110/C	100	60	160	80	240

# KDNE 50-125 - 2 POLES - STANDARDISED CENTRIFUGAL ELECTRIC PUMPS WITH INVERTER FOR PRESSURISATION SYSTEMS



Pumped liquid temperature range: from -10 °C to +80 °C (MCE/P) - Maximum ambient temperature: +40 °C

= 2900 1/min



See hydraulic efficiency details on page 241.

The performance curves are based on kinematic viscosity values = 1 mm²/s and density equal to 1000 kg/m³. Curve tolerance according to ISO 9906.

MODEL	MCE MODEL	POWER INPUT 50 Hz	P2 NOMINAL		In A
			kW	HP	
KDNE 50-125/144/A/BAQE/1/11/2 MCE150/P	MCE150/P	3 x 400 ~V	11	15	25,5

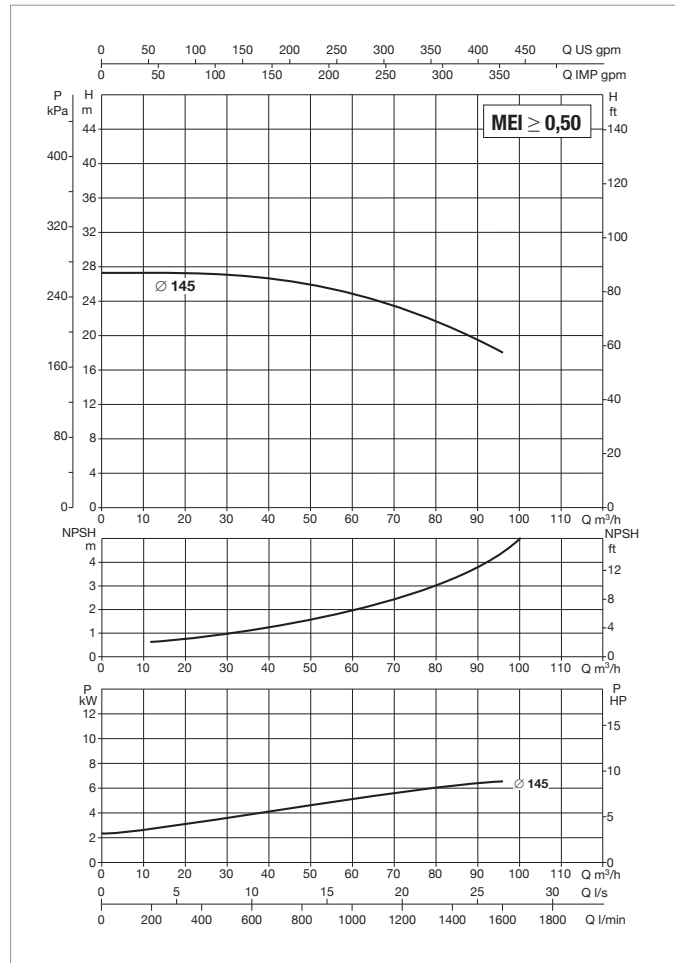
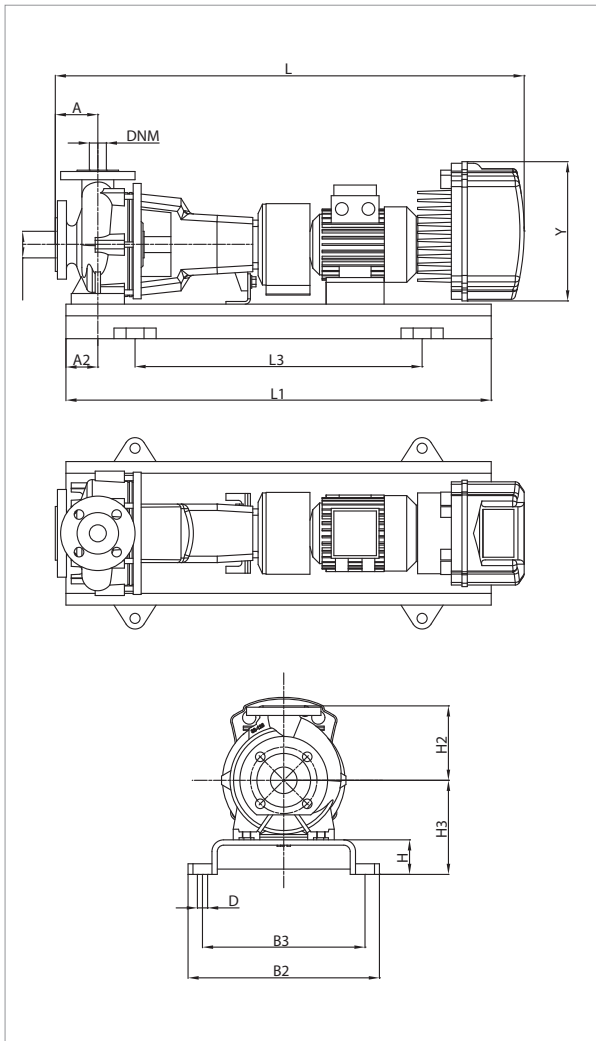
MODEL	A	A2	H2	H	H3	L1	L3	B2	B3	D	Y	FLANGE DIMENSIONS (mm)		STANDARD COUPLING		SPACER COUPLING	
												DNA	DNM	L	WEIGHT kg	L	WEIGHT kg
												KDNE 50-125/144/A/BAQE/1/11/2 MCE150/P	100	60	160	80	240

# KDNE 50-160 - 2 POLES - STANDARDISED CENTRIFUGAL ELECTRIC PUMPS WITH INVERTER FOR CIRCULATION OR PRESSURISATION SYSTEMS

MCE-C

MCE-P

Pumped liquid temperature range: from -10 °C to +140 °C (MCE/C) - from -10 °C to +80 °C (MCE/P) - Maximum ambient temperature: +40 °C = 2900 1/min



See hydraulic efficiency details on page 241.

The performance curves are based on kinematic viscosity values = 1 mm<sup>2</sup>/s and density equal to 1000 kg/m<sup>3</sup>. Curve tolerance according to ISO 9906.

MODEL	MCE MODEL	POWER INPUT 50 Hz	P2 NOMINAL		In A
			kW	HP	
KDNE 50-160/145/A/BAQE/1/7,5/2 T MCE110/C-P	MCE110/C - MCE110/P	3 x 400 ~V	7,5	10	17,6

MODEL	A	A2	H2	H	H3	L1	L3	B2	B3	D	Y	FLANGE DIMENSIONS (mm)		STANDARD COUPLING		SPACER COUPLING	
												DNA	DNM	L	WEIGHT kg	L	WEIGHT kg
												KDNE 50-160/145/A/BAQE/1/7,5/2 T MCE110/C-P	100	60	180	80	240

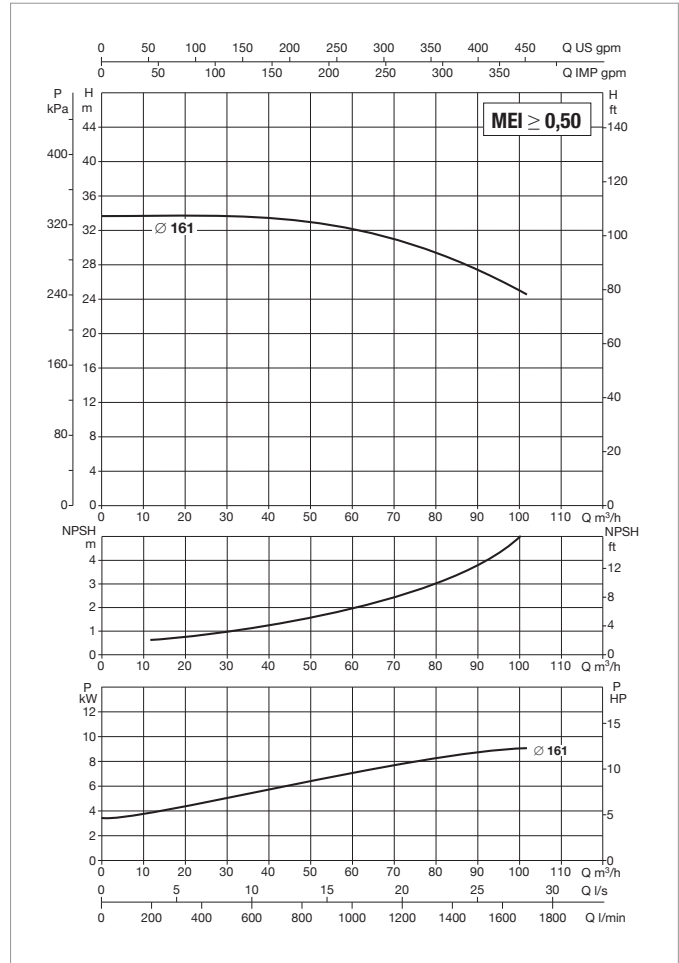
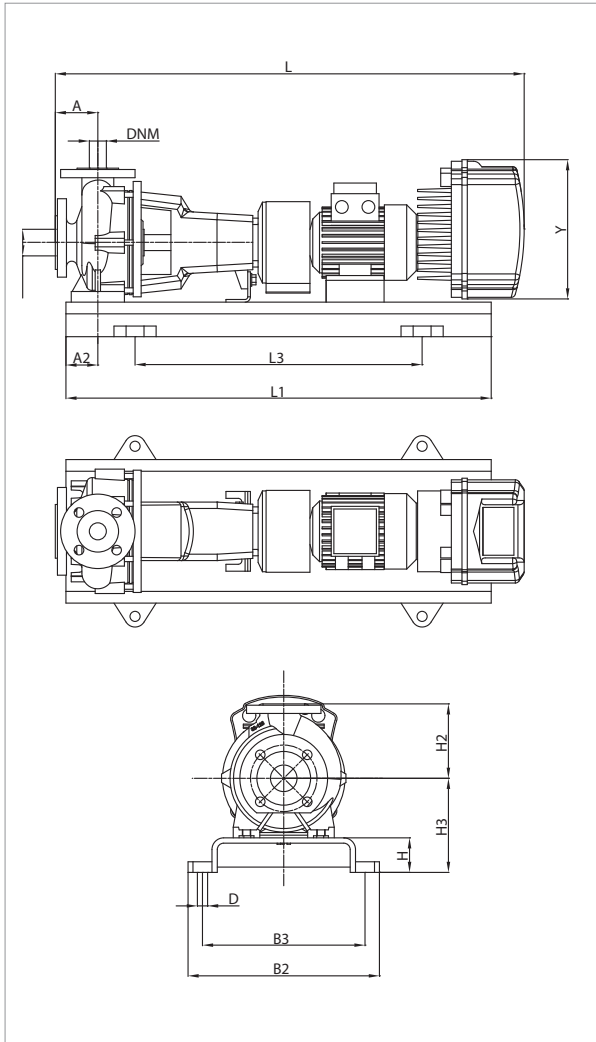


# KDNE 50-160 - 2 POLES - STANDARDISED CENTRIFUGAL ELECTRIC PUMPS WITH INVERTER FOR CIRCULATION SYSTEMS



Pumped liquid temperature range: from -10 °C to +140 °C (MCE/C) - Maximum ambient temperature: +40 °C

= 2900 1/min



See hydraulic efficiency details on page 241.

The performance curves are based on kinematic viscosity values = 1 mm²/s and density equal to 1000 kg/m³. Curve tolerance according to ISO 9906.

MODEL	MCE MODEL	POWER INPUT 50 Hz	P2 NOMINAL		In A
			kW	HP	
KDNE 50-160/161/A/BAQE/1/11/2 T MCE110/C	MCE110/C	3 x 400 ~V	11	15	25,5

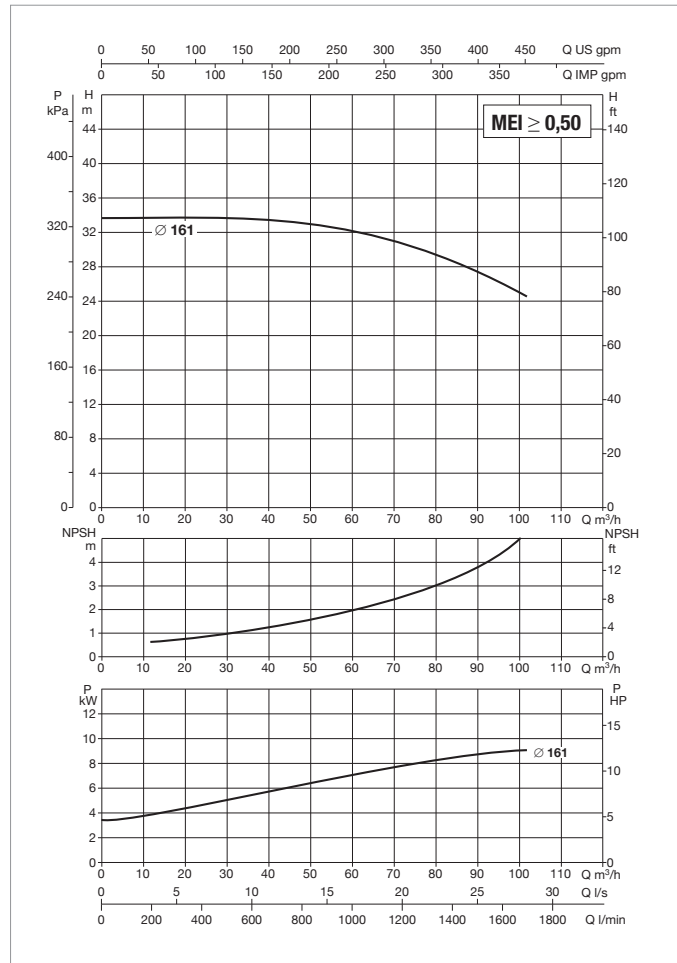
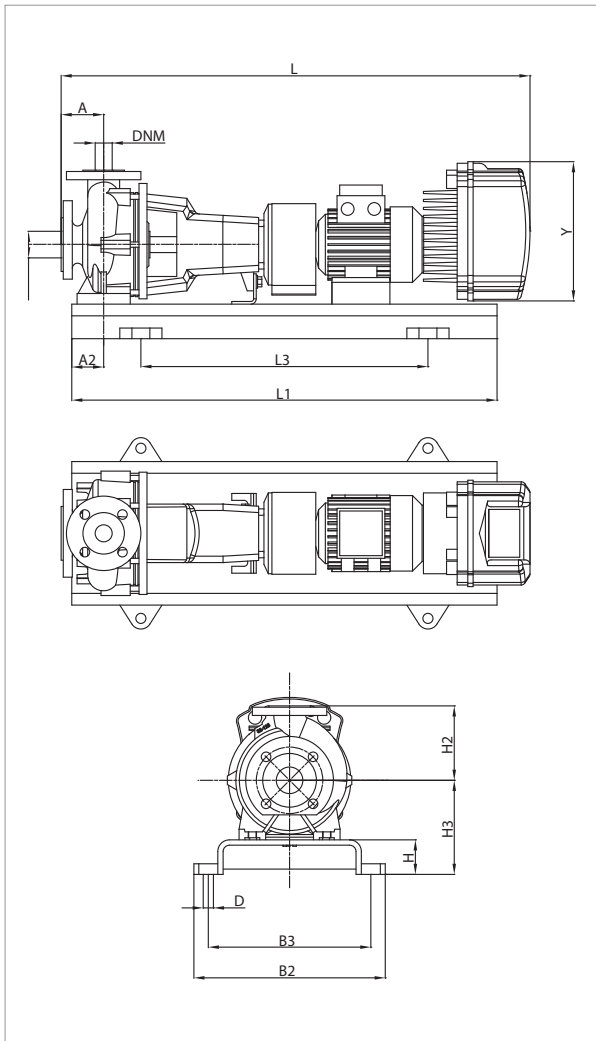
MODEL	A	A2	H2	H	H3	L1	L3	B2	B3	D	Y	FLANGE DIMENSIONS (mm)		STANDARD COUPLING		SPACER COUPLING	
												DNA	DNM	L	WEIGHT kg	L	WEIGHT kg
												KDNE 50-160/161/A/BAQE/1/11/2 T MCE110/C	100	60	180	80	240

# KDNE 50-160 - 2 POLES - STANDARDISED CENTRIFUGAL ELECTRIC PUMPS WITH INVERTER FOR PRESSURISATION SYSTEMS



Pumped liquid temperature range: from -10 °C to +80 °C (MCE/P) - Maximum ambient temperature: +40 °C

= 2900 1/min



See hydraulic efficiency details on page 241.

The performance curves are based on kinematic viscosity values = 1 mm<sup>2</sup>/s and density equal to 1000 kg/m<sup>3</sup>. Curve tolerance according to ISO 9906.

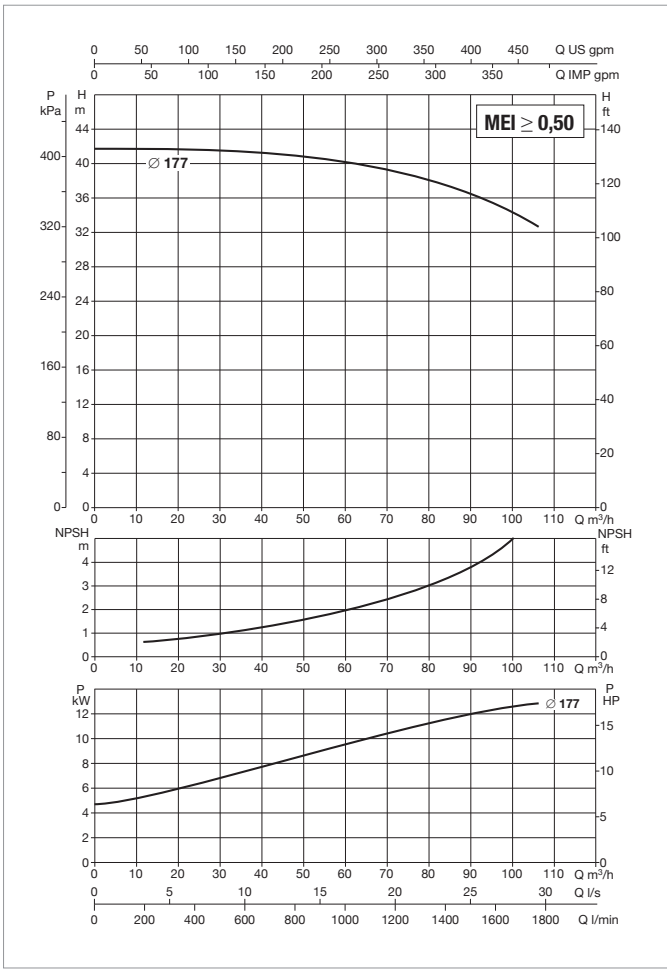
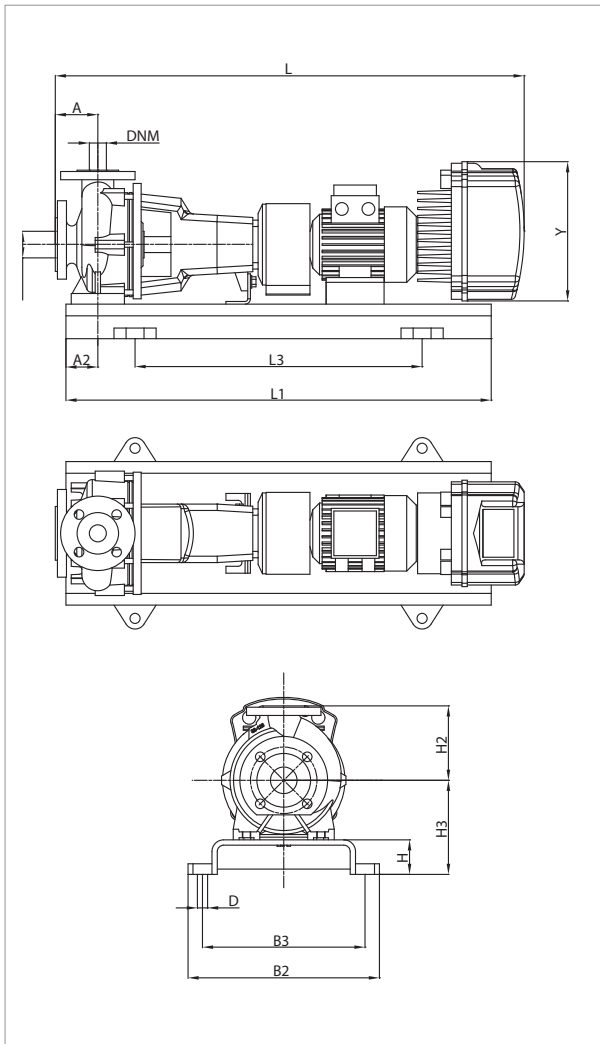
MODEL	MCE MODEL	POWER INPUT 50 Hz	P2 NOMINAL		In A
			kW	HP	
KDNE 50-160/161/A/BAQE/1/11/2 MCE150/P	MCE150/P	3 x 400 ~V	11	15	25,5

MODEL	A	A2	H2	H	H3	L1	L3	B2	B3	D	Y	FLANGE DIMENSIONS (mm)		STANDARD COUPLING		SPACER COUPLING	
												DNA	DNM	L	WEIGHT kg	L	WEIGHT kg
												KDNE 50-160/161/A/BAQE/1/11/2 MCE150/P	100	60	180	80	240

# KDNE 50-160 - 2 POLES - STANDARDISED CENTRIFUGAL ELECTRIC PUMPS WITH INVERTER FOR CIRCULATION OR PRESSURISATION SYSTEMS



Pumped liquid temperature range: from -10 °C to +140 °C (MCE/C) - from -10 °C to +80 °C (MCE/P) - Maximum ambient temperature: +40 °C = 2900 1/min



See hydraulic efficiency details on page 241.  
The performance curves are based on kinematic viscosity values = 1 mm²/s and density equal to 1000 kg/m³. Curve tolerance according to ISO 9906.

MODEL	MCE MODEL	POWER INPUT 50 Hz	P2 NOMINAL		In A
			kW	HP	
KDNE 50-160/177/BAQE/1/15/2 T MCE150/C-P	MCE150/C - MCE150/P	3 x 400 ~V	15	20	34,0

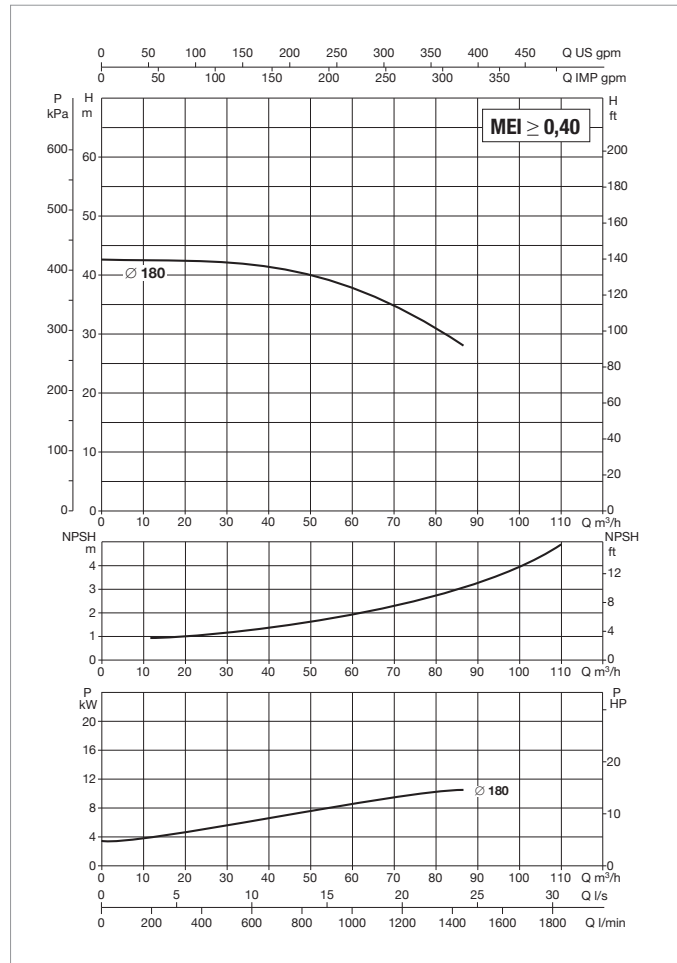
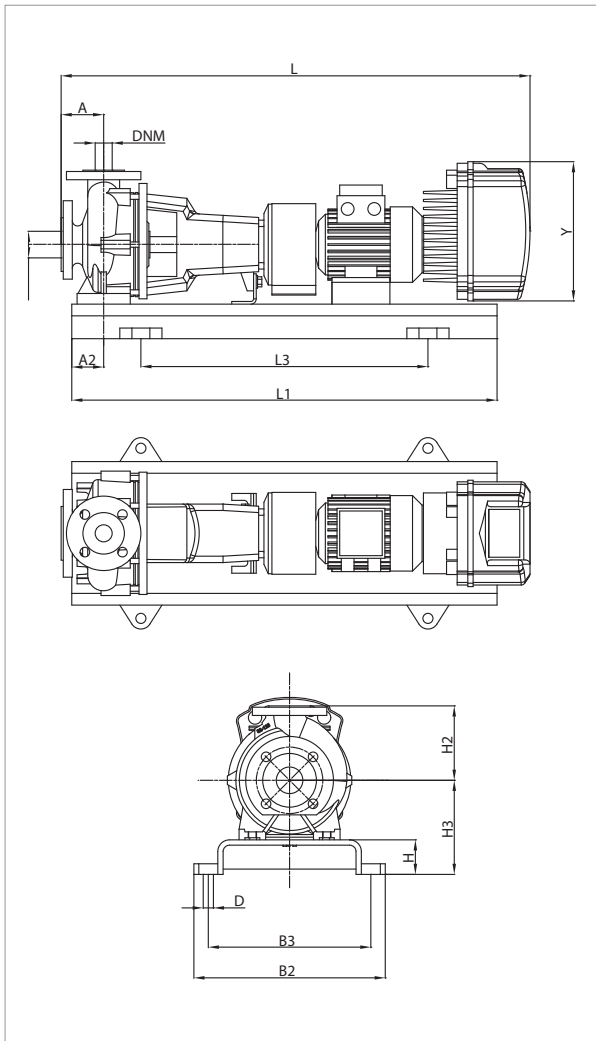
MODEL	A	A2	H2	H	H3	L1	L3	B2	B3	D	Y	FLANGE DIMENSIONS (mm)		STANDARD COUPLING		SPACER COUPLING	
												DNA	DNM	L	WEIGHT kg	L	WEIGHT kg
												KDNE 50-160/177/BAQE/1/15/2 T MCE150/C-P	100	60	180	80	240

# KDNE 50-200 - 2 POLES - STANDARDISED CENTRIFUGAL ELECTRIC PUMPS WITH INVERTER FOR CIRCULATION SYSTEMS



Pumped liquid temperature range: from -10 °C to +140 °C (MCE/C) - Maximum ambient temperature: +40 °C

= 2900 1/min



See hydraulic efficiency details on page 241.

The performance curves are based on kinematic viscosity values = 1 mm<sup>2</sup>/s and density equal to 1000 kg/m<sup>3</sup>. Curve tolerance according to ISO 9906.

MODEL	MCE MODEL	POWER INPUT 50 Hz	P2 NOMINAL		In A
			kW	HP	
KDNE 50-200/180/A/BAQE/1/11/2 T MCE110/C	MCE110/C	3 x 400 ~V	11	15	25,5

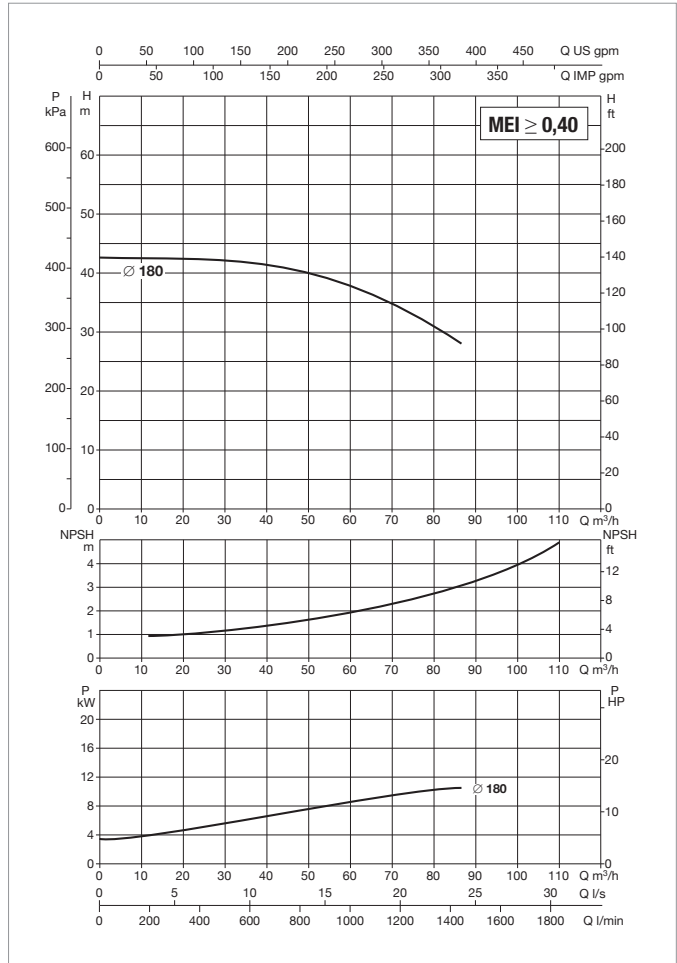
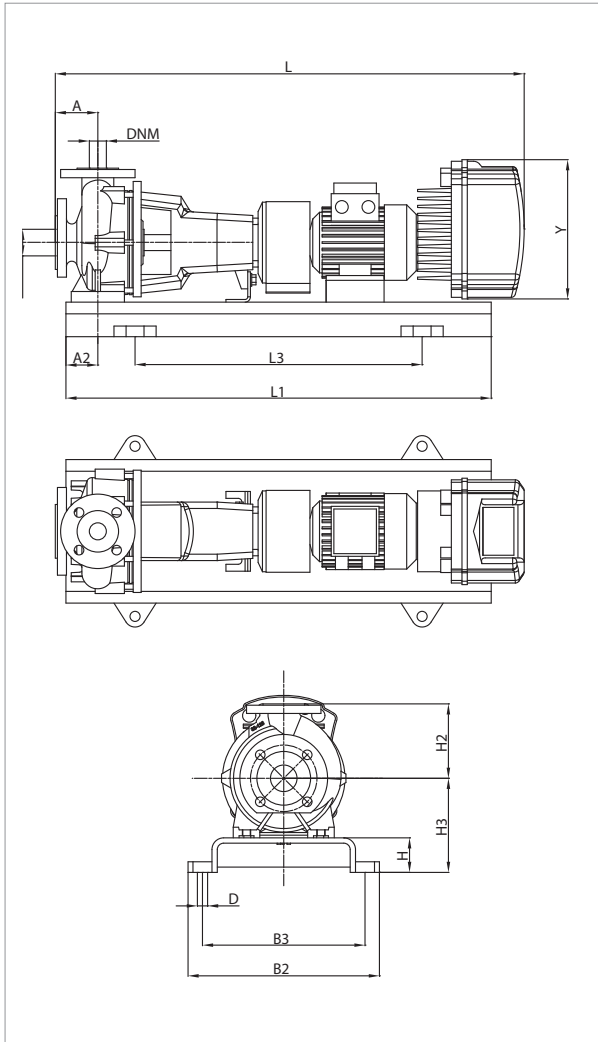
MODEL	A	A2	H2	H	H3	L1	L3	B2	B3	D	Y	FLANGE DIMENSIONS (mm)		STANDARD COUPLING		SPACER COUPLING	
												DNA	DNM	L	WEIGHT kg	L	WEIGHT kg
												KDNE 50-200/180/A/BAQE/1/11/2 T MCE110/C	100	60	200	80	240

# KDNE 50-200 - 2 POLES - STANDARDISED CENTRIFUGAL ELECTRIC PUMPS WITH INVERTER FOR PRESSURISATION SYSTEMS



Pumped liquid temperature range: from -10 °C to +80 °C (MCE/P) - Maximum ambient temperature: +40 °C

= 2900 1/min



See hydraulic efficiency details on page 241.

The performance curves are based on kinematic viscosity values = 1 mm²/s and density equal to 1000 kg/m³. Curve tolerance according to ISO 9906.

MODEL	MCE MODEL	POWER INPUT 50 Hz	P2 NOMINAL		In A
			kW	HP	
KDNE 50-200/180/A/BAQE/1/11/2 MCE150/P	MCE150/P	3 x 400 ~V	11	15	25,5

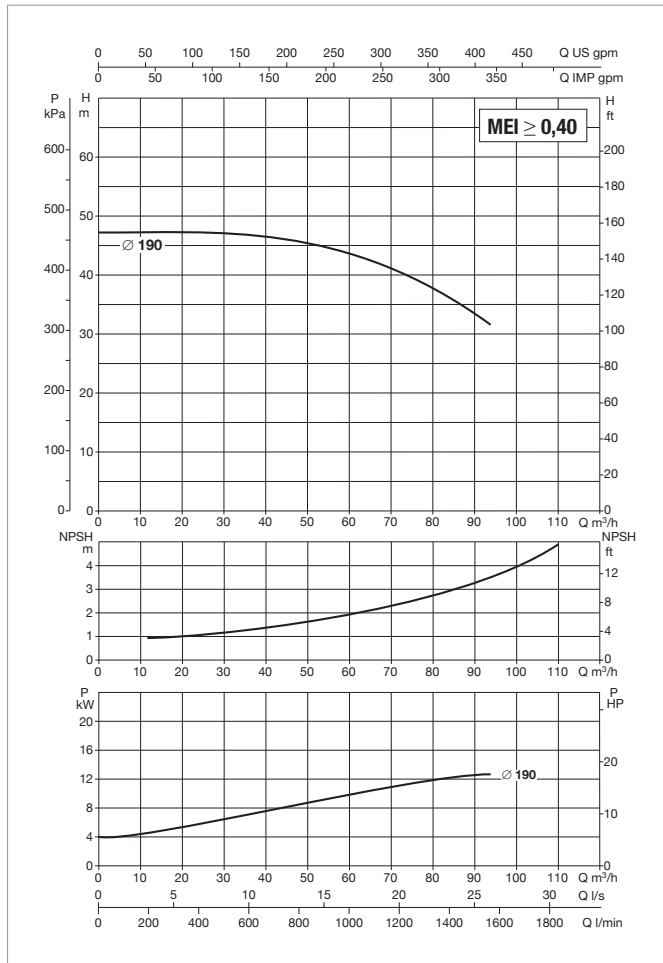
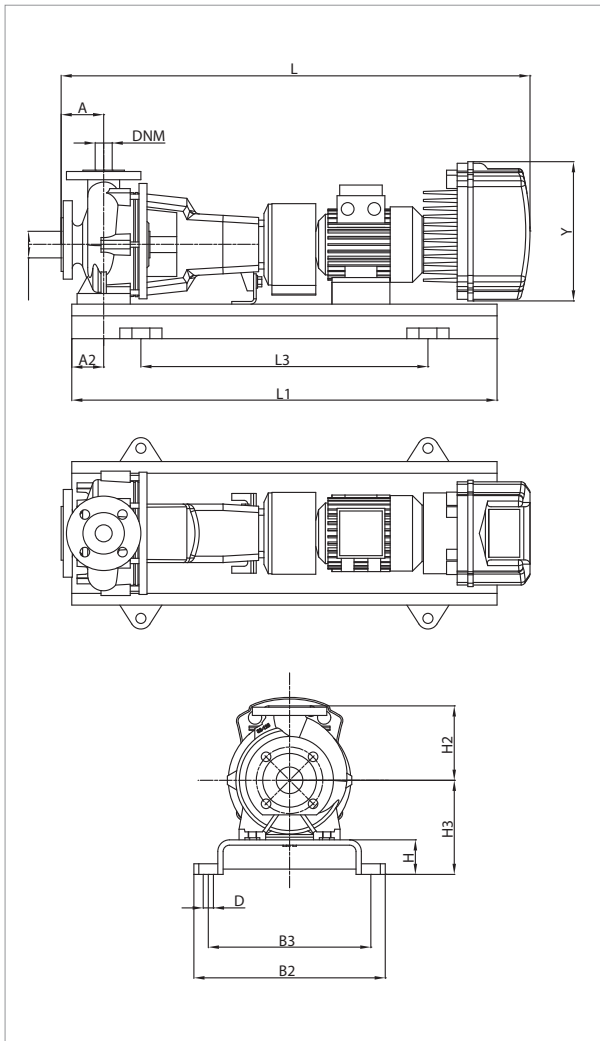
MODEL	A	A2	H2	H	H3	L1	L3	B2	B3	D	Y	FLANGE DIMENSIONS (mm)		STANDARD COUPLING		SPACER COUPLING	
												DNA	DNM	L	WEIGHT kg	L	WEIGHT kg
												KDNE 50-200/180/A/BAQE/1/11/2 MCE150/P	100	60	200	80	240

# KDNE 50-200 - 2 POLES - STANDARDISED CENTRIFUGAL ELECTRIC PUMPS WITH INVERTER FOR CIRCULATION OR PRESSURISATION SYSTEMS

MCE-C

MCE-P

Pumped liquid temperature range: from -10 °C to +140 °C (MCE/C) - from -10 °C to +80 °C (MCE/P) - Maximum ambient temperature: +40 °C = 2900 1/min



See hydraulic efficiency details on page 241.

The performance curves are based on kinematic viscosity values = 1 mm²/s and density equal to 1000 kg/m³. Curve tolerance according to ISO 9906.

MODEL	MCE MODEL	POWER INPUT 50 Hz	P2 NOMINAL		In A
			kW	HP	
KDNE 50-200/190/A/BAQE/1/15/2 T MCE150/C-P	MCE150/C - MCE150/P	3 x 400 ~V	15	20	34,0

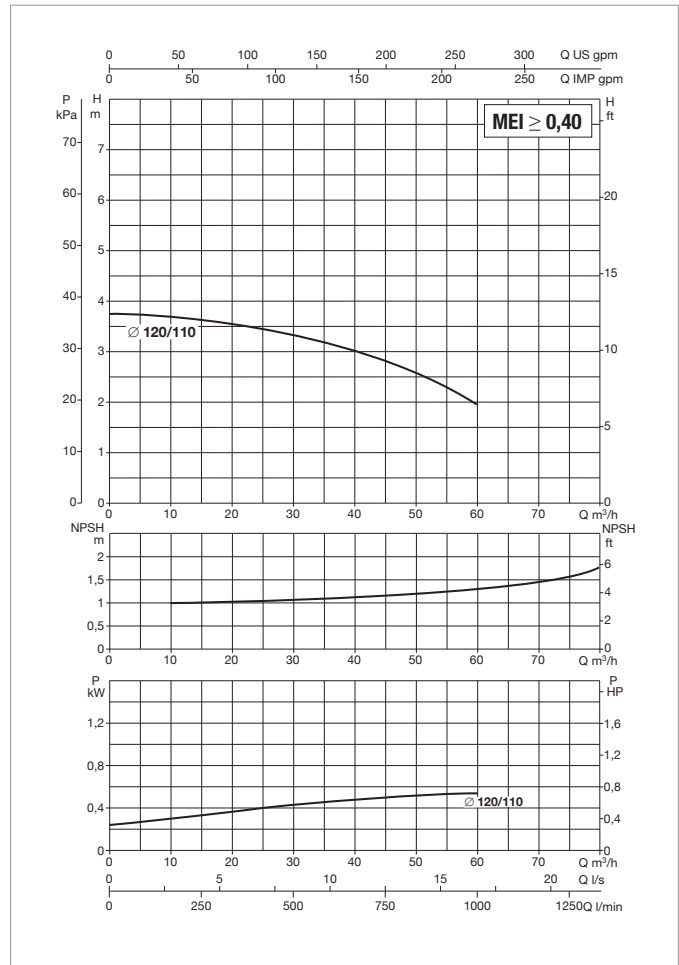
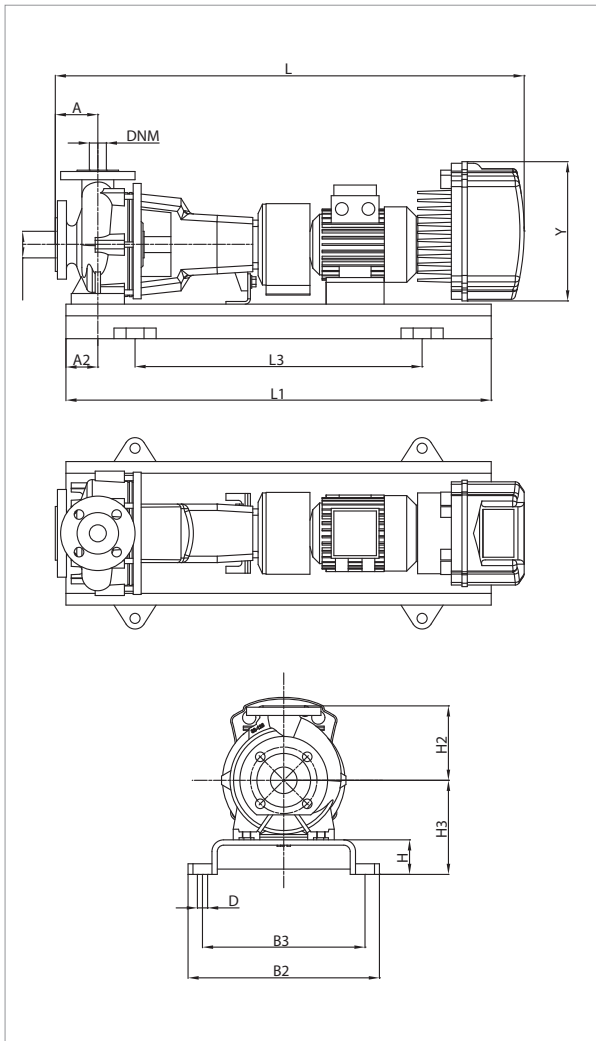
MODEL	A	A2	H2	H	H3	L1	L3	B2	B3	D	Y	FLANGE DIMENSIONS (mm)		STANDARD COUPLING		SPACER COUPLING	
												DNA	DNM	L	WEIGHT kg	L	WEIGHT kg
												KDNE 50-200/190/A/BAQE/1/15/2 T MCE150/C-P	100	60	200	80	240

# KDNE 65-125 - 2 POLES - STANDARDISED CENTRIFUGAL ELECTRIC PUMPS WITH INVERTER FOR CIRCULATION SYSTEMS



Pumped liquid temperature range: from -10 °C to +140 °C (MCE/C) - Maximum ambient temperature: +40 °C

= 2900 1/min



See hydraulic efficiency details on page 241.

The performance curves are based on kinematic viscosity values = 1 mm²/s and density equal to 1000 kg/m³. Curve tolerance according to ISO 9906.

MODEL	MCE MODEL	POWER INPUT 50 Hz	P2 NOMINAL		In A
			kW	HP	
KDNE 65-125/120-110/A/BAQE/1/5,5/2 T MCE55/C	MCE55/C	3 x 400 ~V	5,5	7,5	13,1

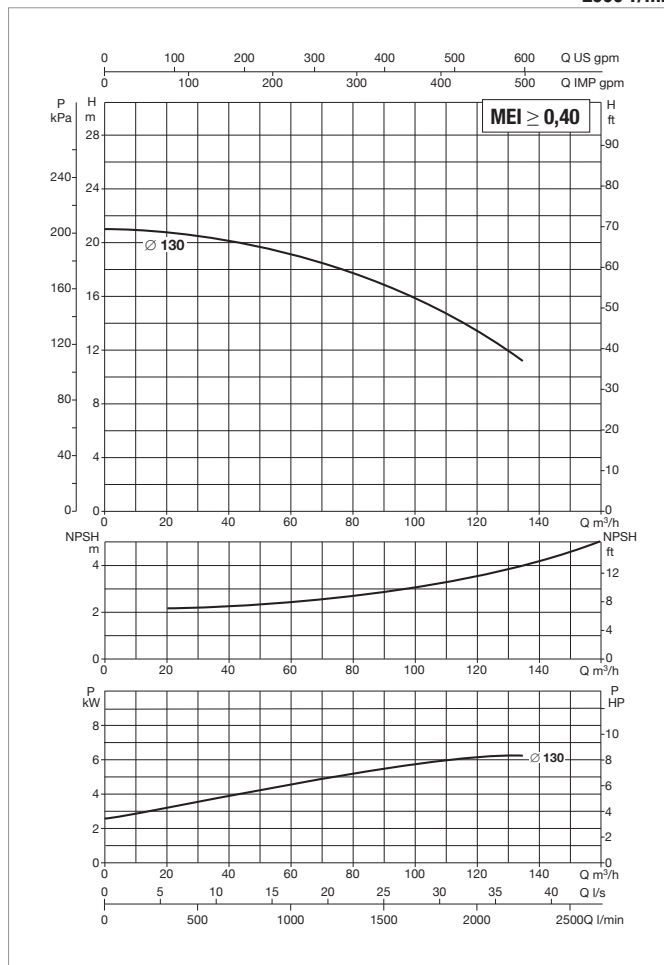
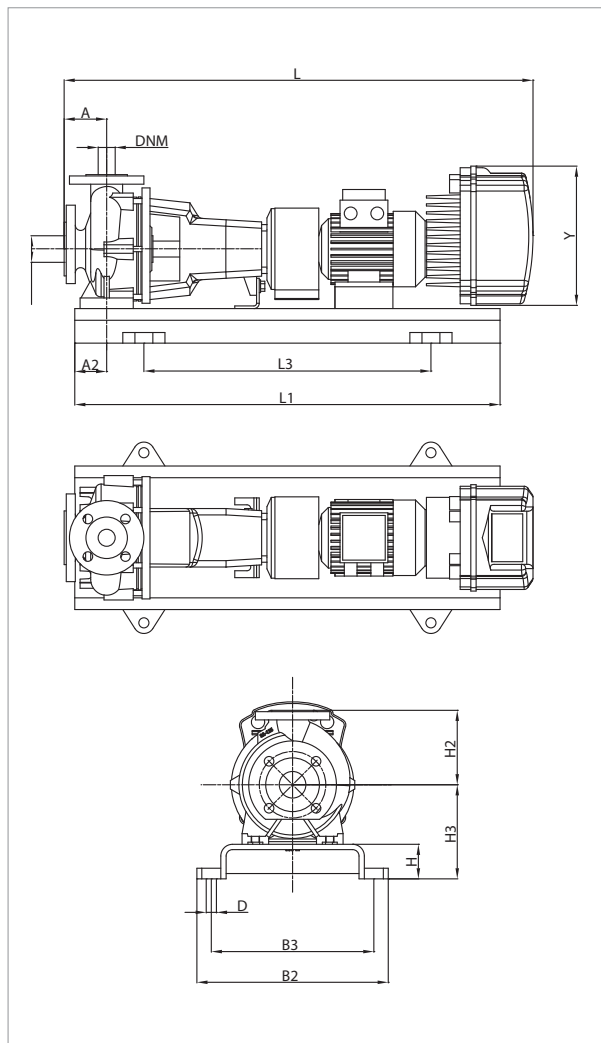
MODEL	A	A2	H2	H	H3	L1	L3	B2	B3	D	Y	FLANGE DIMENSIONS (mm)		STANDARD COUPLING		SPACER COUPLING	
												DNA	DNM	L	WEIGHT kg	L	WEIGHT kg
												KDNE 65-125/120-110/A/BAQE/1/5,5/2 T MCE55/C	100	60	180	80	240

# KDNE 65-125 - 2 POLES - STANDARDISED CENTRIFUGAL ELECTRIC PUMPS WITH INVERTER FOR CIRCULATION OR PRESSURISATION SYSTEMS

MCE-C

MCE-P

Pumped liquid temperature range: from -10 °C to +140 °C (MCE/C) - from -10 °C to +80 °C (MCE/P) - Maximum ambient temperature: +40 °C = 2900 1/min



See hydraulic efficiency details on page 241.

The performance curves are based on kinematic viscosity values = 1 mm²/s and density equal to 1000 kg/m³. Curve tolerance according to ISO 9906.

MODEL	MCE MODEL	POWER INPUT 50 Hz	P2 NOMINAL		In A
			kW	HP	
KDNE 65-125/130/A/BAQE/1/7,5/2 T MCE110/C-P	MCE110/C - MCE110/P	3 x 400 ~V	7,5	10	17,6

MODEL	A	A2	H2	H	H3	L1	L3	B2	B3	D	Y	FLANGE DIMENSIONS (mm)		STANDARD COUPLING		SPACER COUPLING	
												DNA	DNM	L	WEIGHT kg	L	WEIGHT kg
												KDNE 65-125/130/A/BAQE/1/7,5/2 T MCE110/C-P	100	60	180	80	240

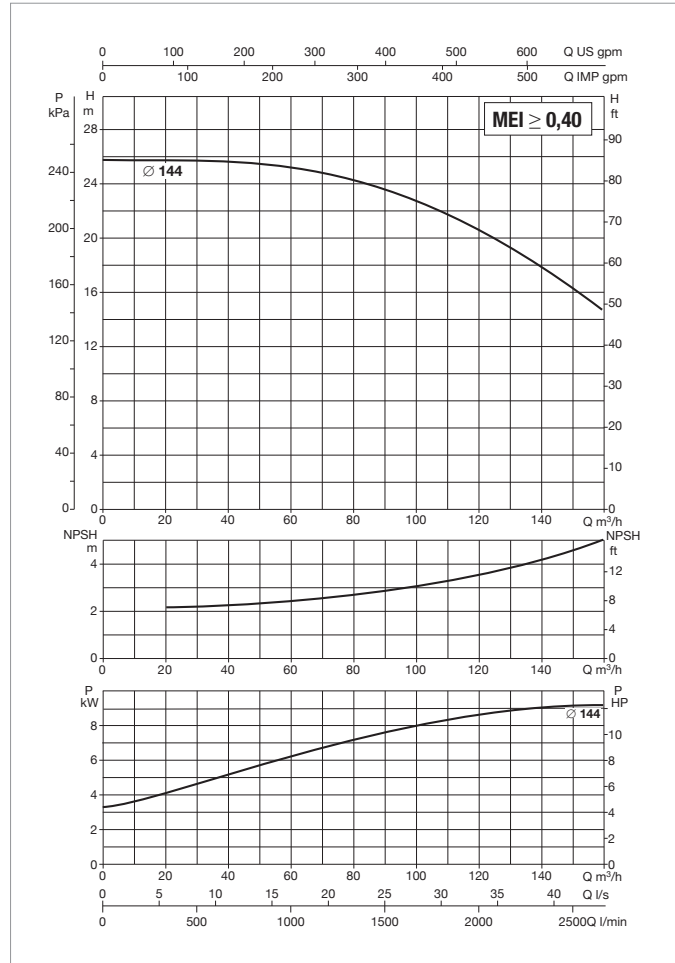
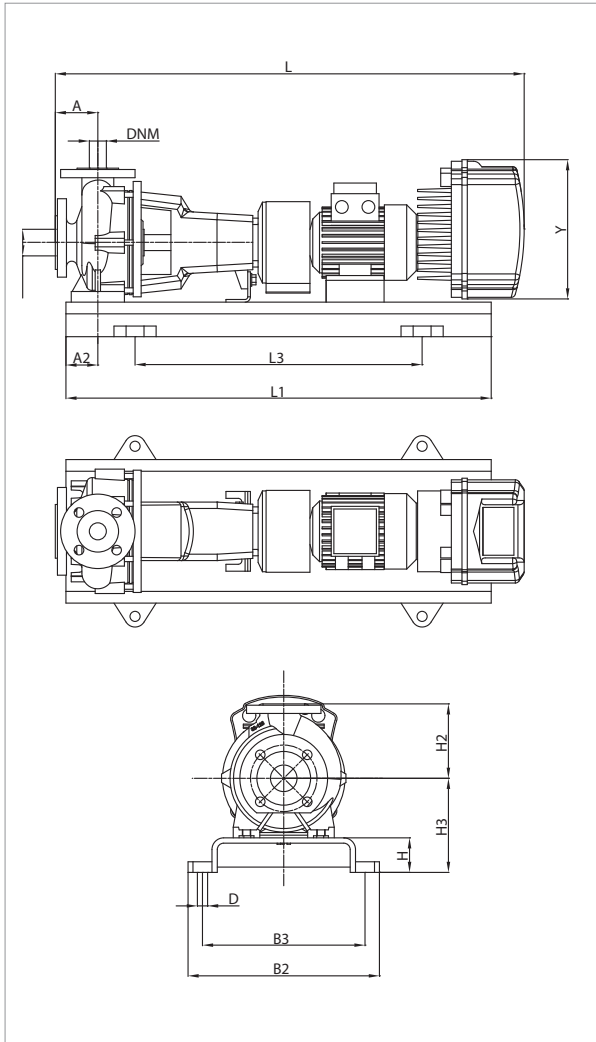


# KDNE 65-125 - 2 POLES - STANDARDISED CENTRIFUGAL ELECTRIC PUMPS WITH INVERTER FOR CIRCULATION SYSTEMS



Pumped liquid temperature range: from -10 °C to +140 °C (MCE/C) - Maximum ambient temperature: +40 °C

= 2900 1/min



See hydraulic efficiency details on page 241.

The performance curves are based on kinematic viscosity values = 1 mm²/s and density equal to 1000 kg/m³. Curve tolerance according to ISO 9906.

MODEL	MCE MODEL	POWER INPUT 50 Hz	P2 NOMINAL		In A
			kW	HP	
KDNE 65-125/144/A/BAQE/1/11/2 T MCE110/C	MCE110/C	3 x 400 ~V	11	15	25,5

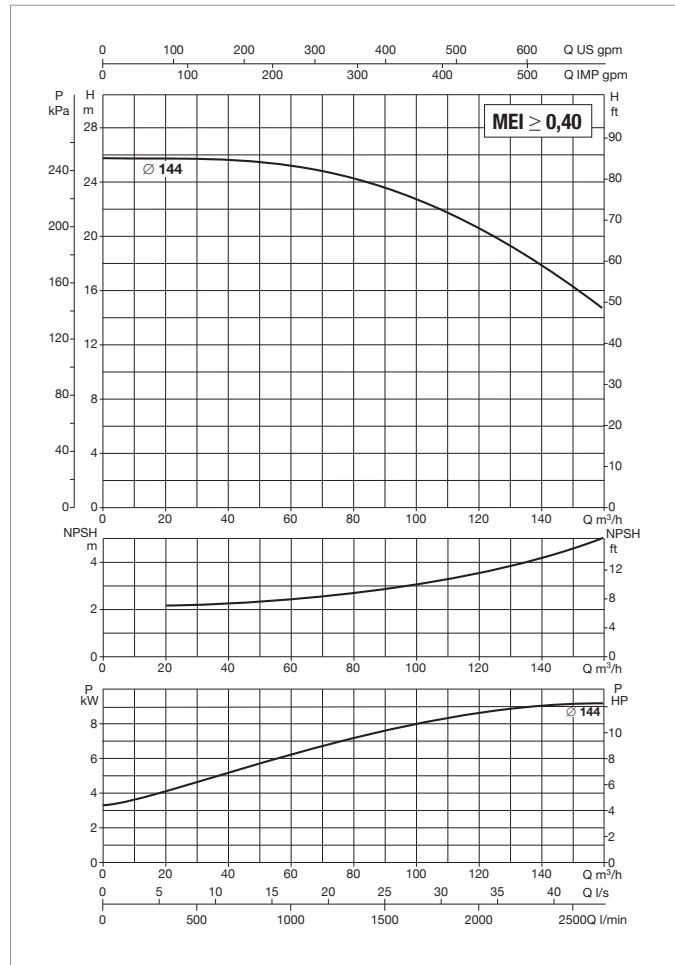
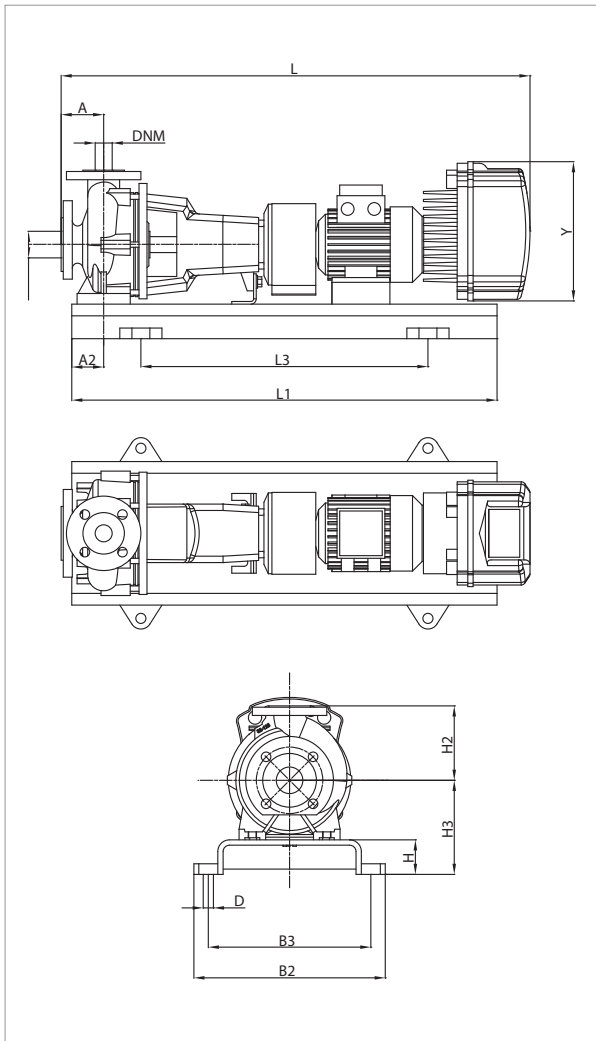
MODEL	A	A2	H2	H	H3	L1	L3	B2	B3	D	Y	FLANGE DIMENSIONS (mm)		STANDARD COUPLING		SPACER COUPLING	
												DNA	DNM	L	WEIGHT kg	L	WEIGHT kg
												KDNE 65-125/144/A/BAQE/1/11/2 T MCE110/C	100	60	180	80	240

# KDNE 65-125 - 2 POLES - STANDARDISED CENTRIFUGAL ELECTRIC PUMPS WITH INVERTER FOR PRESSURISATION SYSTEMS



Pumped liquid temperature range: from -10 °C to +80 °C (MCE/P) - Maximum ambient temperature: +40 °C

= 2900 1/min



See hydraulic efficiency details on page 241.

The performance curves are based on kinematic viscosity values = 1 mm²/s and density equal to 1000 kg/m³. Curve tolerance according to ISO 9906.

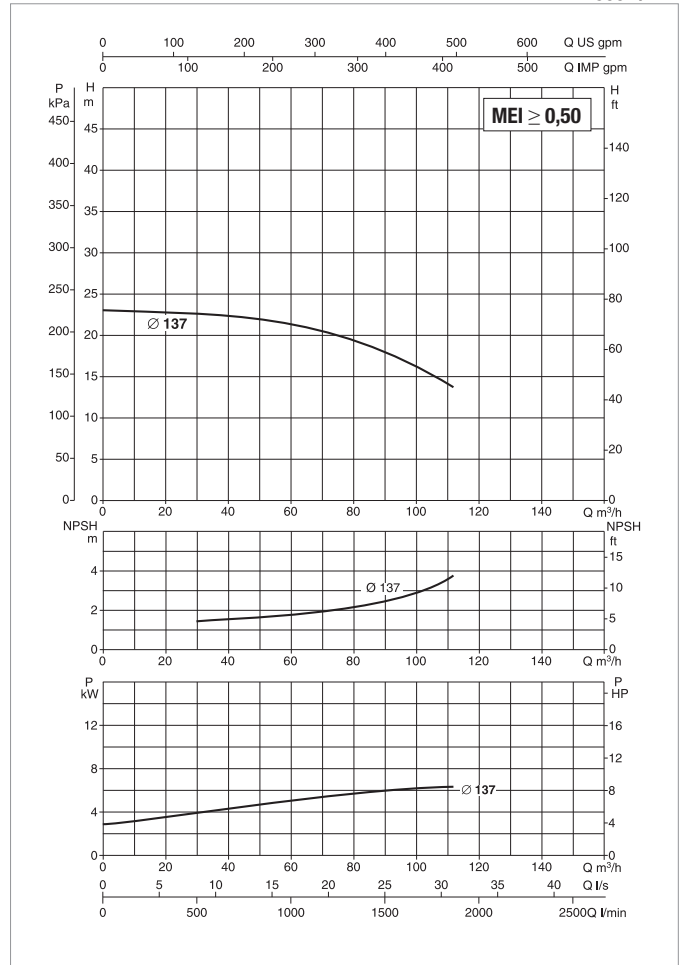
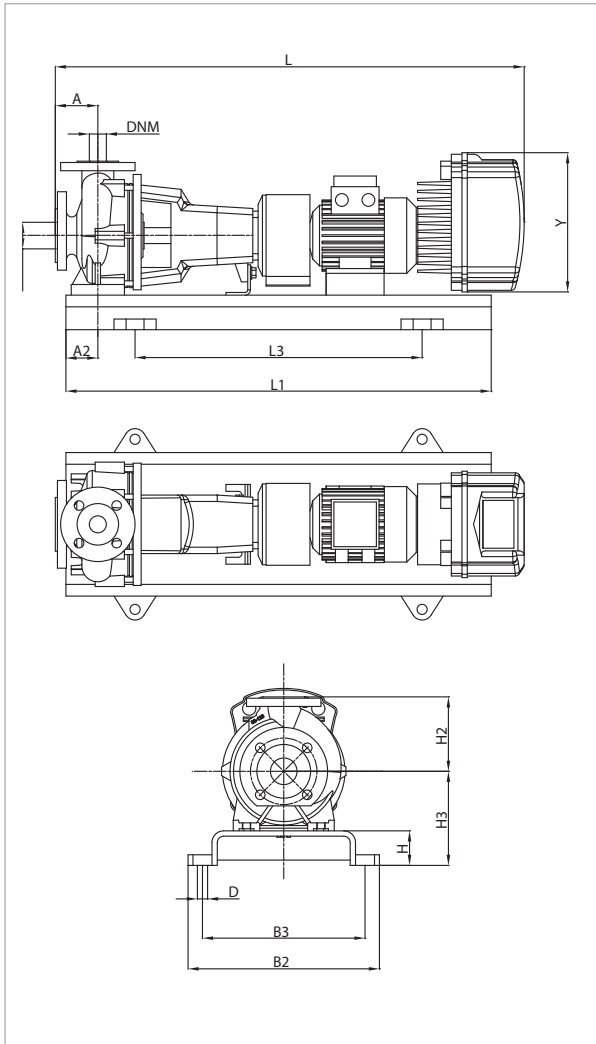
MODEL	MCE MODEL	POWER INPUT 50 Hz	P2 NOMINAL		In A
			kW	HP	
KDNE 65-125/144/A/BAQE/1/11/2 MCE150/P	MCE150/P	3 x 400 ~V	11	15	25,5

MODEL	A	A2	H2	H	H3	L1	L3	B2	B3	D	Y	FLANGE DIMENSIONS (mm)		STANDARD COUPLING		SPACER COUPLING	
												DNA	DNM	L	WEIGHT kg	L	WEIGHT kg
												KDNE 65-125/144/A/BAQE/1/11/2 MCE150/P	100	60	180	80	240

# KDNE 65-160 - 2 POLES - STANDARDISED CENTRIFUGAL ELECTRIC PUMPS WITH INVERTER FOR CIRCULATION OR PRESSURISATION SYSTEMS



Pumped liquid temperature range: from -10 °C to +140 °C (MCE/C) - from -10 °C to +80 °C (MCE/P) - Maximum ambient temperature: +40 °C = 2900 1/min



See hydraulic efficiency details on page 241.

The performance curves are based on kinematic viscosity values = 1 mm²/s and density equal to 1000 kg/m³. Curve tolerance according to ISO 9906.

MODEL	MCE MODEL	POWER INPUT 50 Hz	P2 NOMINAL		In A
			kW	HP	
KDNE 65-160/137/A/BAQE/1/7,5/2 T MCE110/C-P	MCE110/C - MCE110/P	3 x 400 ~V	7,5	10	17,6

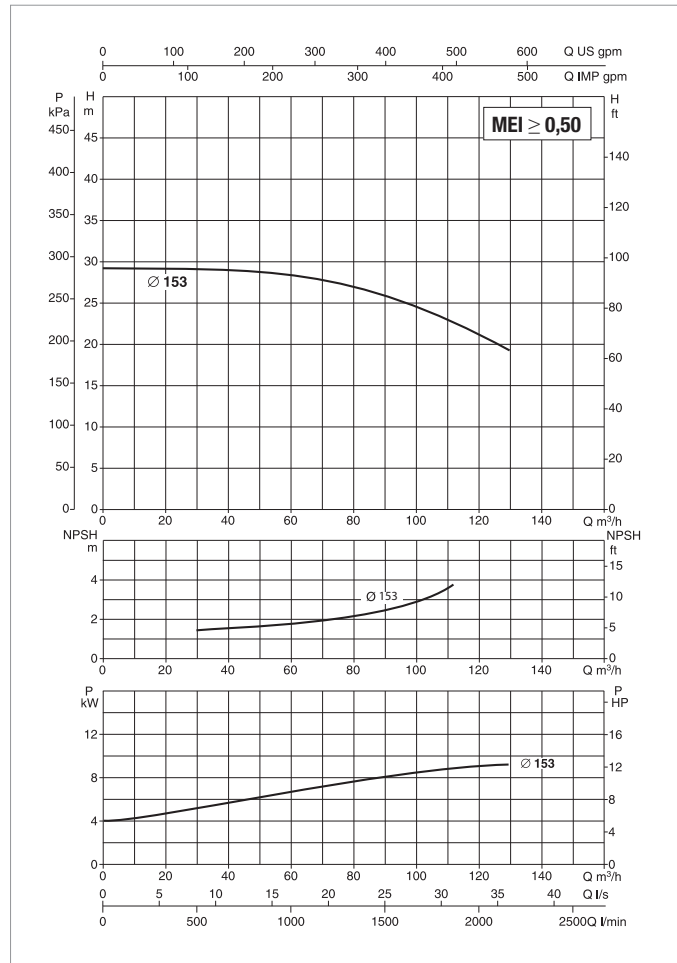
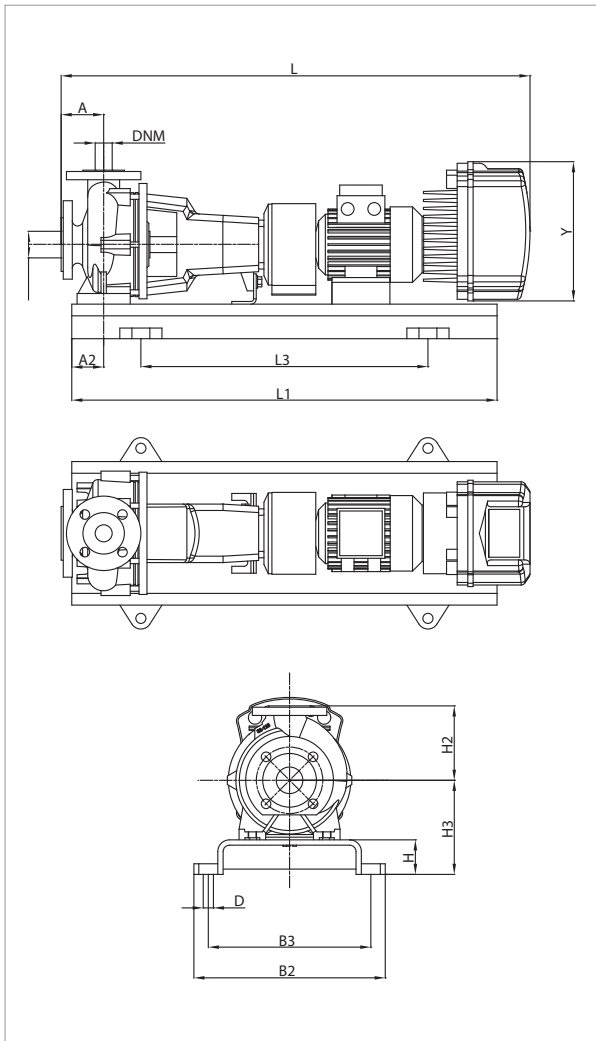
MODEL	A	A2	H2	H	H3	L1	L3	B2	B3	D	Y	FLANGE DIMENSIONS (mm)		STANDARD COUPLING		SPACER COUPLING	
												DNA	DNM	L	WEIGHT kg	L	WEIGHT kg
												KDNE 65-160/137/A/BAQE/1/7,5/2 T MCE110/C-P	100	60	200	80	240

# KDNE 65-160 - 2 POLES - STANDARDISED CENTRIFUGAL ELECTRIC PUMPS WITH INVERTER FOR CIRCULATION SYSTEMS



Pumped liquid temperature range: from -10 °C to +140 °C (MCE/C) - Maximum ambient temperature: +40 °C

= 2900 1/min



See hydraulic efficiency details on page 241.

The performance curves are based on kinematic viscosity values = 1 mm²/s and density equal to 1000 kg/m³. Curve tolerance according to ISO 9906.

MODEL	MCE MODEL	POWER INPUT 50 Hz	P2 NOMINAL		In A
			kW	HP	
KDNE 65-160/153/A/BAQE/1/11/2 T MCE110/C	MCE110/C	3 x 400 ~V	11	15	25,5

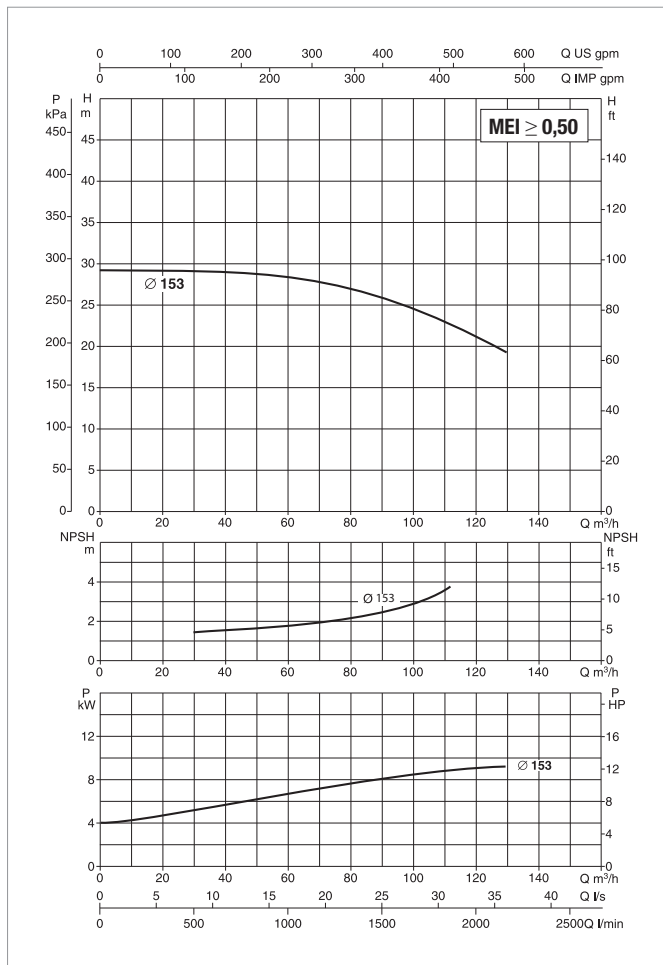
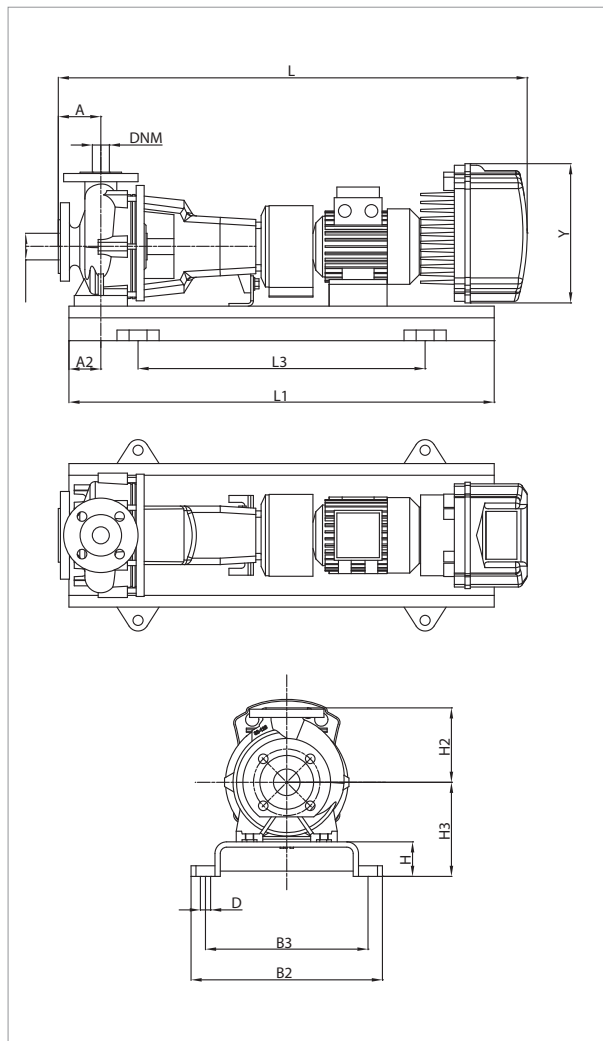
MODEL	A	A2	H2	H	H3	L1	L3	B2	B3	D	Y	FLANGE DIMENSIONS (mm)		STANDARD COUPLING		SPACER COUPLING	
												DNA	DNM	L	WEIGHT kg	L	WEIGHT kg
												KDNE 65-160/153/A/BAQE/1/11/2 T MCE110/C	100	60	200	80	240

# KDNE 65-160 - 2 POLES - STANDARDISED CENTRIFUGAL ELECTRIC PUMPS WITH INVERTER FOR PRESSURISATION SYSTEMS



Pumped liquid temperature range: from -10 °C to +80 °C (MCE/P) - Maximum ambient temperature: +40 °C

= 2900 1/min



See hydraulic efficiency details on page 241.

The performance curves are based on kinematic viscosity values = 1 mm²/s and density equal to 1000 kg/m³. Curve tolerance according to ISO 9906.

MODEL	MCE MODEL	POWER INPUT 50 Hz	P2 NOMINAL		In A
			kW	HP	
KDNE 65-160/153/A/BAQE/1/11/2 MCE150/P	MCE150/P	3 x 400 ~V	11	15	25,5

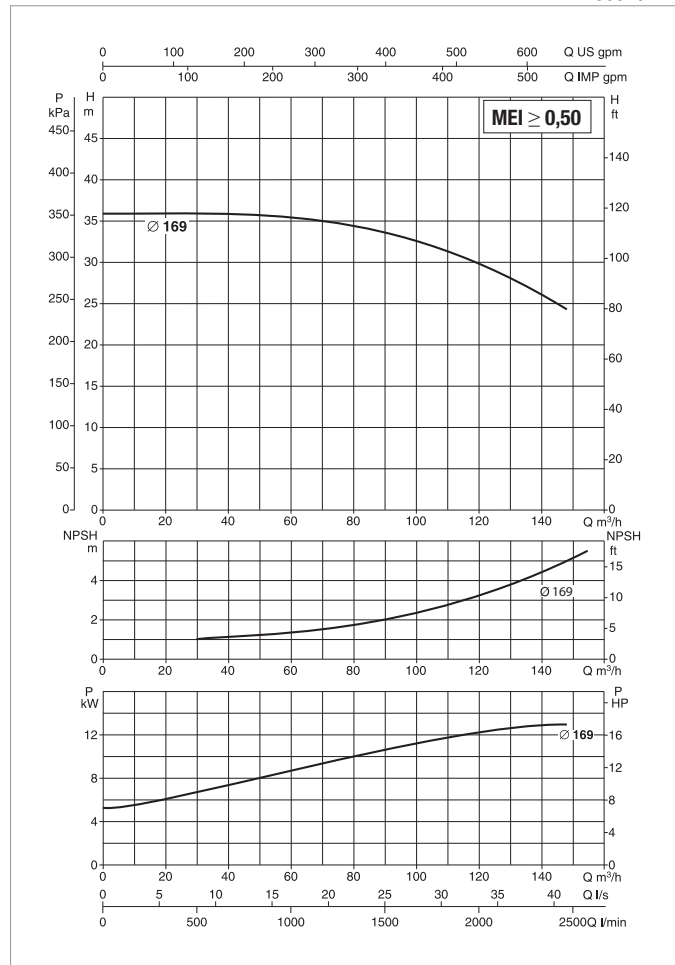
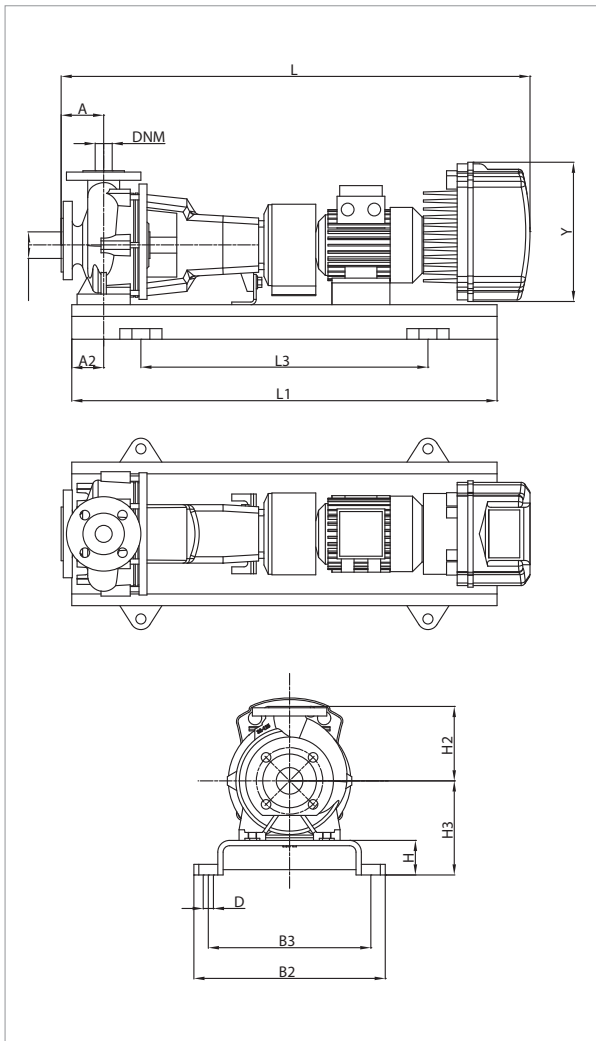
MODEL	A	A2	H2	H	H3	L1	L3	B2	B3	D	Y	FLANGE DIMENSIONS (mm)		STANDARD COUPLING		SPACER COUPLING	
												DNA	DNM	L	WEIGHT kg	L	WEIGHT kg
												KDNE 65-160/153/A/BAQE/1/11/2 MCE150/P	100	60	200	80	240

# KDNE 65-160 - 2 POLES - STANDARDISED CENTRIFUGAL ELECTRIC PUMPS WITH INVERTER FOR CIRCULATION OR PRESSURISATION SYSTEMS

MCE-C

MCE-P

Pumped liquid temperature range: from -10 °C to +140 °C (MCE/C) - from -10 °C to +80 °C (MCE/P) - Maximum ambient temperature: +40 °C  
= 2900 1/min



See hydraulic efficiency details on page 241.

The performance curves are based on kinematic viscosity values = 1 mm²/s and density equal to 1000 kg/m³. Curve tolerance according to ISO 9906.

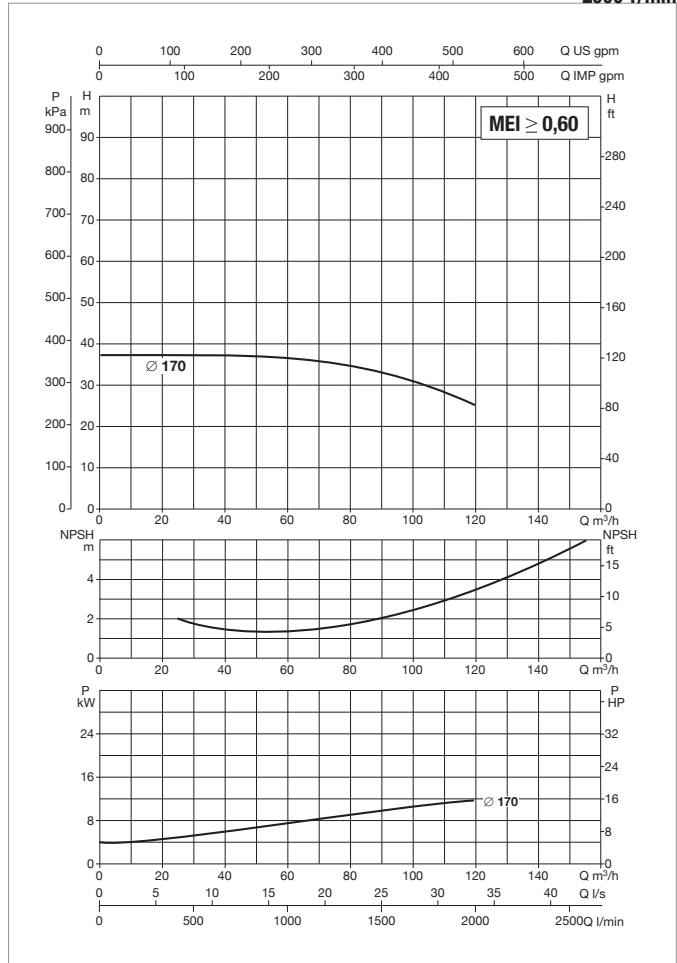
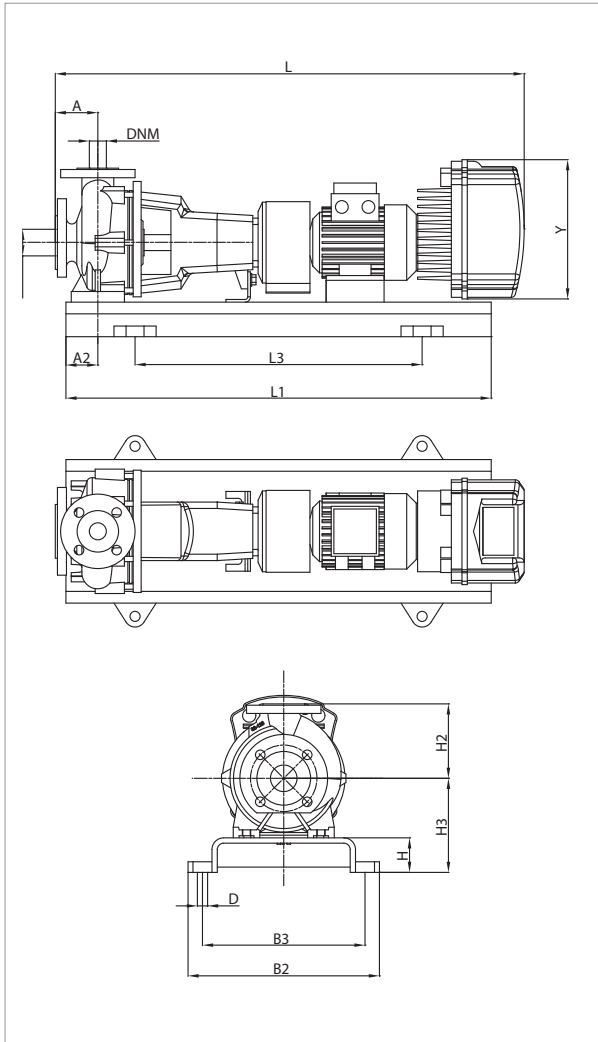
MODEL	MCE MODEL	POWER INPUT 50 Hz	P2 NOMINAL		In A
			kW	HP	
KDNE 65-160/169/A/BAQE/1/15/2 T MCE150/C-P	MCE150/C - MCE150/P	3 x 400 ~V	15	20	34,0

MODEL	A	A2	H2	H	H3	L1	L3	B2	B3	D	Y	FLANGE DIMENSIONS (mm)		STANDARD COUPLING		SPACER COUPLING	
												DNA	DNM	L	WEIGHT kg	L	WEIGHT kg
												KDNE 65-160/169/A/BAQE/1/15/2 T MCE150/C-P	100	60	200	80	240

# KDNE 65-200 - 2 POLES - STANDARDISED CENTRIFUGAL ELECTRIC PUMPS WITH INVERTER FOR CIRCULATION OR PRESSURISATION SYSTEMS



Pumped liquid temperature range: from -10 °C to +140 °C (MCE/C) - from -10 °C to +80 °C (MCE/P) - Maximum ambient temperature: +40 °C = 2900 1/min



See hydraulic efficiency details on page 241.  
The performance curves are based on kinematic viscosity values = 1 mm<sup>2</sup>/s and density equal to 1000 kg/m<sup>3</sup>. Curve tolerance according to ISO 9906.

MODEL	MCE MODEL	POWER INPUT 50 Hz	P2 NOMINAL		In A
			kW	HP	
KDNE 65-200/170/A/BAQE/1/15/2 T MCE150/C-P	MCE150/C - MCE150/P	3 x 400 ~V	15	20	34,0

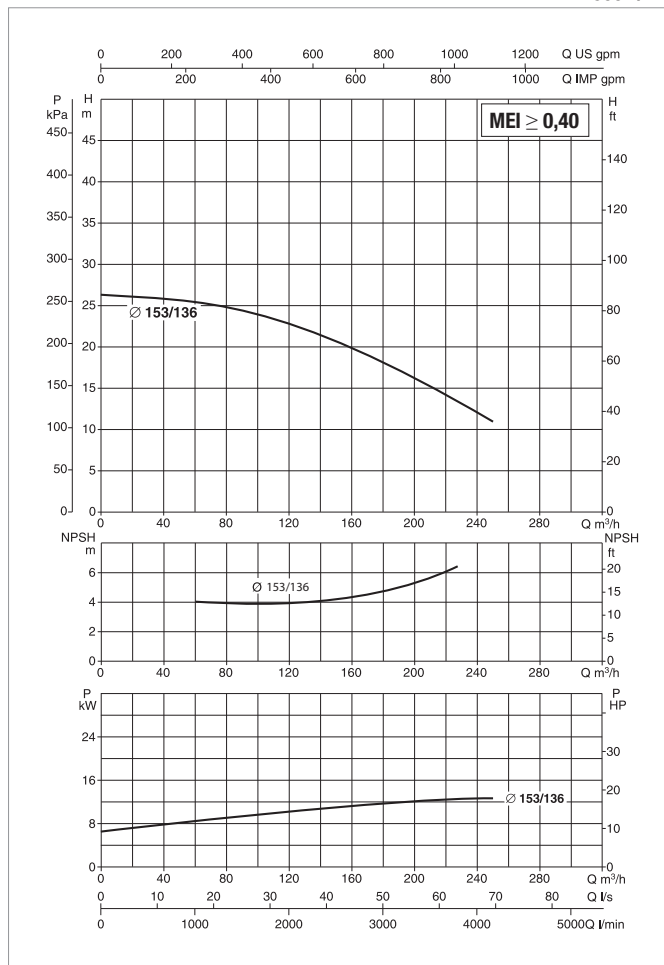
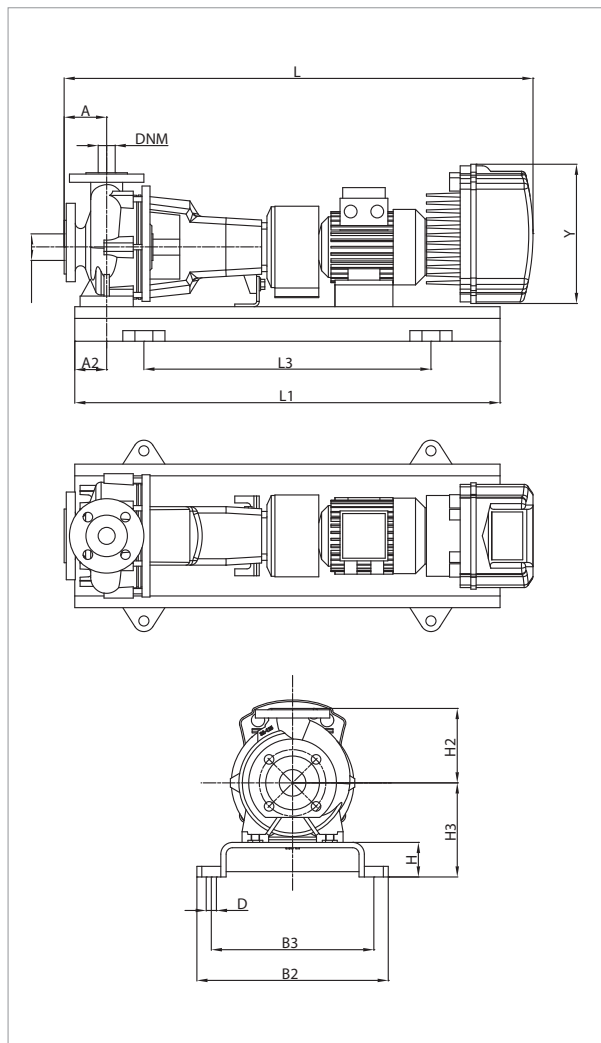
MODEL	A	A2	H2	H	H3	L1	L3	B2	B3	D	Y	FLANGE DIMENSIONS (mm)		STANDARD COUPLING		SPACER COUPLING	
												DNA	DNM	L	WEIGHT kg	L	WEIGHT kg
												KDNE 65-200/170/A/BAQE/1/15/2 T MCE150/C-P	100	75	225	80	260

# KDNE 80-160 - 2 POLES - STANDARDISED CENTRIFUGAL ELECTRIC PUMPS WITH INVERTER FOR CIRCULATION OR PRESSURISATION SYSTEMS

MCE-C

MCE-P

Pumped liquid temperature range: from -10 °C to +140 °C (MCE/C) - from -10 °C to +80 °C (MCE/P) - Maximum ambient temperature: +40 °C = 2900 1/min



See hydraulic efficiency details on page 241.

The performance curves are based on kinematic viscosity values = 1 mm<sup>2</sup>/s and density equal to 1000 kg/m<sup>3</sup>. Curve tolerance according to ISO 9906.

MODEL	MCE MODEL	POWER INPUT 50 Hz	P2 NOMINAL		In A
			kW	HP	
KDNE 80-160/153-136/A/BAQE/1/15/2 T MCE150/C-P	MCE150/C - MCE150/P	3 x 400 ~V	15	20	34,0

MODEL	A	A2	H2	H	H3	L1	L3	B2	B3	D	Y	FLANGE DIMENSIONS (mm)		STANDARD COUPLING		SPACER COUPLING	
												DNA	DNM	L	WEIGHT kg	L	WEIGHT kg
												KDNE 80-160/153-136/A/BAQE/1/15/2 T MCE150/C-P	100	75	225	80	260