

# AQUAPROF

## PLANTS FOR USE OF RAINWATER



### TECHNICAL DATA

**Max flow rate (lt/min-m<sup>3</sup>/h):** 85-5.1

**Max head:** 48 m

**Max. Liquid temperature:** From +5°C to +35°C

**Max. system pressure:** Max 6 bar

**Max. mains pressure:** Max 4 bar

**Minimum mains flow rate:** Min 10 lt/min

**Maximum height of the highest point of use:** 12 m

**Power supply:** Volt 230 Hz50

**Maximum power absorbed:** W 1000

**Protection rating:** IP 42

**Ambient temperature:** Min +5°C Max +40°C

**Cabinet materials:** PPE

**Tank materials:** PE

**Mains inlet pipe dimensions:** 3/4"

**Discharge pipe dimensions:** 1"

**Suction pipe dimensions:** 1"

**Overflow pipe dimensions:** DN 50

**Max Altitude:** 1000 metres

**Max power Pump No. 2 relay:** 3'A\_250Volt

**Water type:** ph 4-9

**ON/OFF float version:** ON/OFF float with 20 metre cable

**version with electronic transducer water level indicator:** electronic transducer (4-20 mA 8-28 V DC) w/20 metres of cable

**Dry weight in Kg:** 20

**Operational weight in Kg:** 35

### APPLICATIONS

The AQUAPROF unit is used for rainwater management and distribution. The unit detects any faults in the water collection system, whether from rainwater or the mains and makes corrections to ensure proper operation of the plant (that is, it does not ever leave the connected utilities dry). It signals any faults and displays the problem detected. Generally, this system is reserved for irrigation, clothes washing, WC flushing and floor cleaning applications. The primary purpose of the AQUAPROF system is to give use of the rainwater priority over the use of the mains water. When there is not enough rainwater in the collection tank, the control unit switches over to the mains, ensuring that the connected use points are supplied (PLEASE, NOTE the water supplied by this system is not potable). The connection between the rainwater collection tank and the mains water collection tank in this system is selected by way of a three-way valve installed on the suction side of the pump. Pump operation is precisely that of a "start-stop" system with pressure and flow control. When the pressure drops below a certain threshold level, the pump starts up. Upon closing the tap, the pump stops. If the water runs out, the pump stops and signals a fault on the pump control panel. After a set time, the pump starts back up again automatically. If all the functions' parameters have returned to normal, then the system runs normally. The system is also equipped with a special anti-odour anti-emptying siphon. Every 24 hours, the system checks the operation of the 3-way valves. Every week, the system completely changes the water contained in the mains water collection tank (the change is restricted by the user's water use requirements).

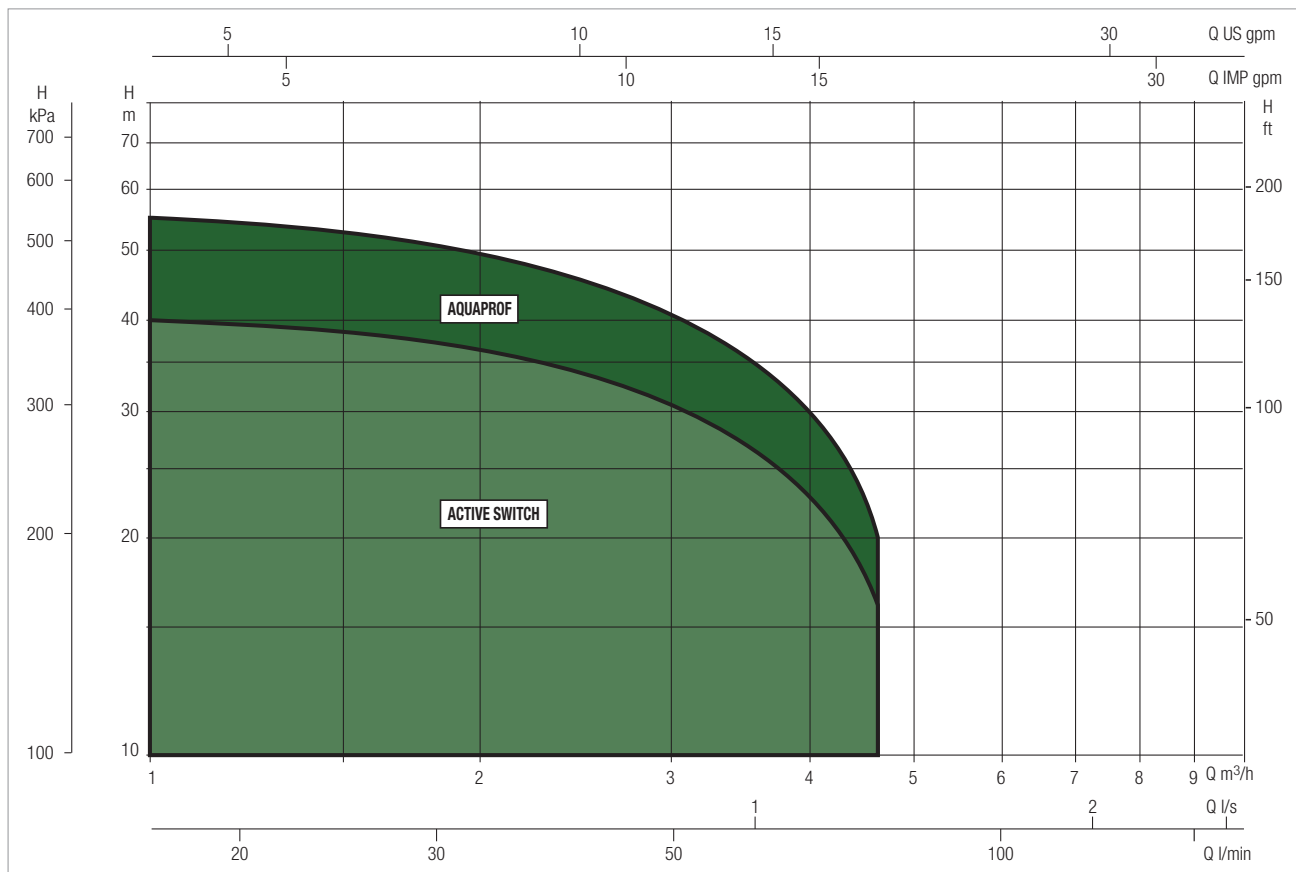
### TECHNICAL SPECIFICATIONS

The system comprises a polypropylene (PPE) foam console and either a EUROINOX 30/50M or a EUROINOX 40/50M electric centrifugal pump. The kit also includes a wall mount bracket and a water level sensor with 20 metres of cable for the AQUAPROF BASIC model ON/OFF version. While for the AQUAPROF TOP version there is an electronic transducer (with a 5 m full scale 4-20 mA 8-28 VDC). With tanks that are less than 2 metres deep, it is suggested that a dedicated sensor with a 2 - 2.5 metre resolution be purchased separately.

## PERFORMANCE RANGE

The performance curves are based on kinematic viscosity values = 1 mm<sup>2</sup>/s and density equivalent to 1000 kg/m<sup>3</sup>. Curve tolerance according to ISO 9906.

### GRAPHIC SELECTION TABLE



## AQUAPROF SELECTION TABLE

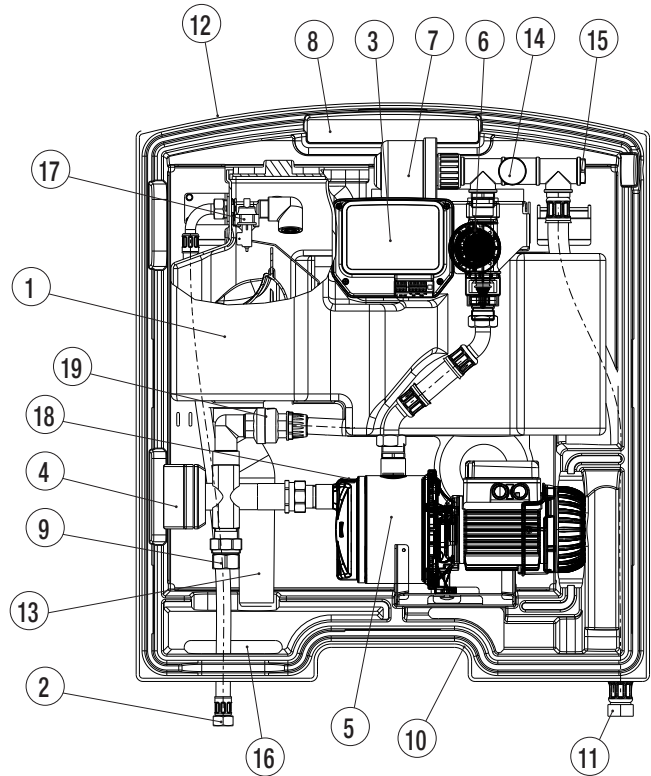
MODEL	Q=m <sup>3</sup> /h	0	0.6	1.2	1.8	2.4	3.0	3.3	3.6	4.2	4.8
	Q=l/min	0	10	20	30	40	50	55	60	70	80
AQUAPROF BASIC 30/50	H (m)	42.2	40.2	38.2	36.2	33.8	30	27.5	24.8	19.5	14
AQUAPROF BASIC 40/50		57.7	55.3	52.8	50.1	47.1	42.7	39.5	35.8	28	19.2
AQUAPROF TOP 30/50		42.2	40.2	38.2	36.2	33.8	30	27.5	24.8	19.5	14
AQUAPROF TOP 40/50		57.7	55.3	52.8	50.1	47.1	42.7	39.5	35.8	28	19.2

# AQUAPROF

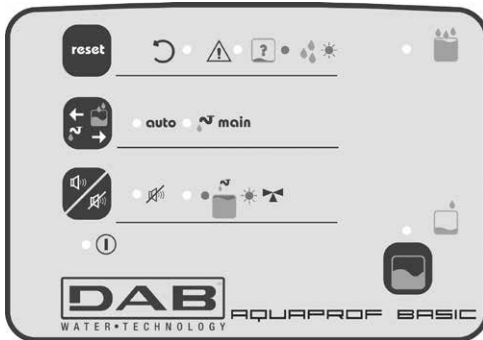
## PLANTS FOR USE OF RAINWATER

### MATERIALS

N°	PARTS	MATERIALS
1	MAINS WATER TANK	LLDPE
2	MAINS WATER INLET	METAL HOSE
3	CONTROL PANEL	-
4	3-WAY VALVE	VALVE BODY: BRASS RETURN SPRINGS: STEEL MOTOR COVER SELF-EXTINGUISHING ABS
5	PUMP	EUROINOX
6	CONTROL SYSTEM HYDRAULIC PUMP	POM / NBR / STEEL
7	ANTI-DRIP EXPANSION TANK	DIPHHRAGM WITH HIGH CHLOROBUTYL CONTENT
8	WARM AIR VENT	-
9	RAINWATER SUCTION	BRASS
10	AIR INTAKE PUMP COOLING	-
11	PRESSURISED WATER OUTLET	METAL HOSE
12	REAR CLADDING	PP FOAM
13	EMERGENCY OVERFLOW	-
14	PRESSURE GAUGE	-
15	HORIZONTAL OUTLET	BRASS
16	CHANNEL FOR HOSES AND ELECTRIC CABLES	-
17	FLOAT VALVE	PA 66 / STEEL / POLYSTYRENE
18	PUMP LOAD PLUG	PPE / O-R IN NBR
19	CHECK VALVE	BRASS



### CONTROL PANEL

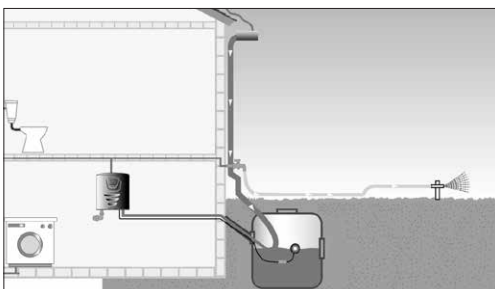


AQUAPROF BASIC



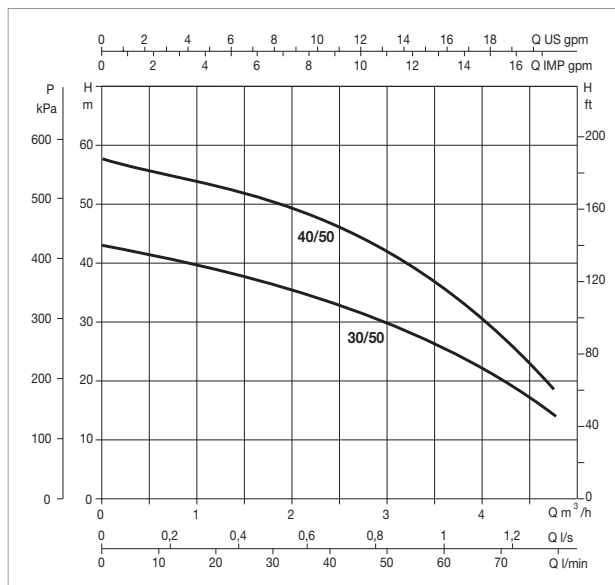
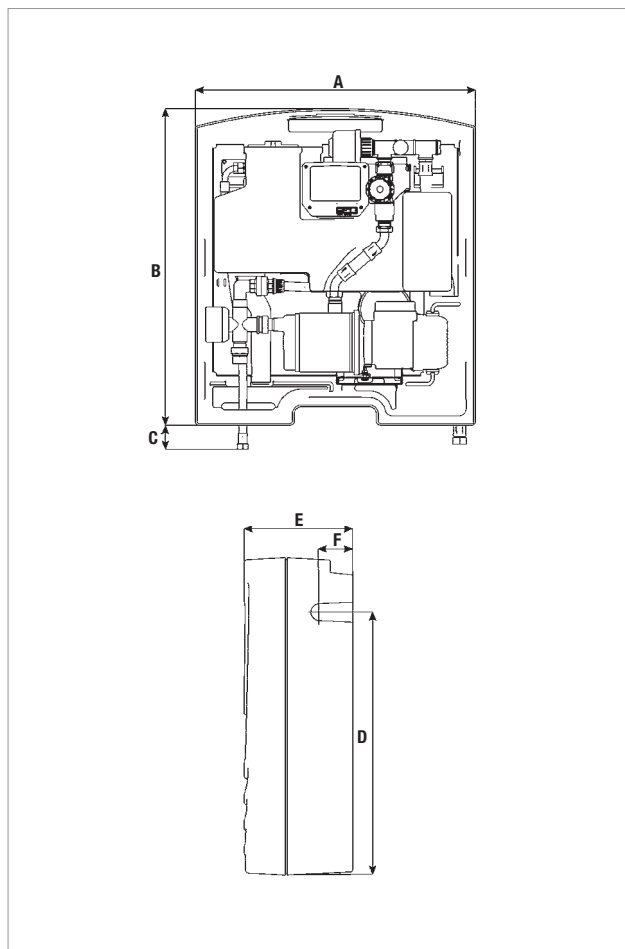
AQUAPROF TOP

### INSTALLATION DIAGRAM AQUAPROF BASIC AND TOP



# AQUAPROF - PLANTS FOR USE OF RAINWATER FOR DOMESTIC WATER SUPPLY

Liquid temperature range pumped: from +5 °C to +35 °C - Maximum ambient temperature: +40°C



The performance curves are based on the kinematic viscosity values = 1 mm<sup>2</sup>/s and density equivalent to 1000 kg/m<sup>3</sup>. Curve tolerance according to ISO 9906.

MODEL	ELECTRICAL DATA							
	N° IMPELLER	POWER SUPPLY 50 Hz	P1 MAX KW	P2 NOMINAL		In A	CAPACITOR	
				kW	HP		µF	Vc
AQUAPROF BASIC 30/50	3	1x220-240 V ~	0.88	0.55	0.75	3.9	12.5	450
AQUAPROF BASIC 40/50	4	1x220-240 V ~	1.2	0.75	1	5.3	20	450
AQUAPROF TOP 30/50	3	1x220-240 V ~	0.88	0.55	0.75	3.9	12.5	450
AQUAPROF TOP 40/50	4	1x220-240 V ~	1.2	0.75	1	5.3	20	450